

**PLEASE CHECK WWW.MOLEX.COM FOR LATEST PART INFORMATION**

**Part Number:** [0511151601](#)  
**Status:** **Active**  
**Description:** 4.00mm Pitch, OBD-II Wire-to-Wire Receptacle Housing, Panel Mount, 16 Circuits

**Documents:**

<a href="#">3D Model</a>	<a href="#">Product Specification PS-68503-001-001 (PDF)</a>
<a href="#">3D Model (PDF)</a>	<a href="#">Application Specification AS-51115-001-007 (PDF)</a>
<a href="#">Drawing (PDF)</a>	<a href="#">RoHS Certificate of Compliance (PDF)</a>
<a href="#">Product Specification PS-51115-001-001 (PDF)</a>	

**General**

Product Family	Crimp Housings
Series	<a href="#">51115</a>
Application	Power, Wire-to-Wire
Product Name	OBD-II
UPC	800754367707

**Physical**

Circuits (maximum)	16
Color - Resin	Black
Gender	Receptacle
Glow-Wire Capable	No
Keying to Mating Part	None
Lock to Mating Part	Yes
Material - Resin	Polyester
Net Weight	10330.000/mg
Number of Rows	2
Packaging Type	Tray
Panel Mount	Yes
Pitch - Mating Interface	4.00mm
Stackable	No
Temperature Range - Operating	-40° to +85°C

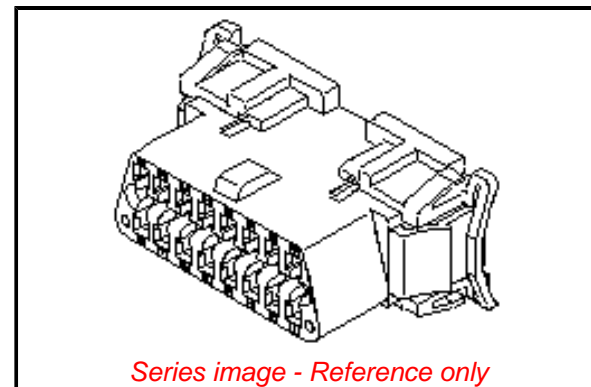
**Solder Process Data**

Lead-freeProcess Capability	N/A
-----------------------------	-----

**Material Info**

**Reference - Drawing Numbers**

Application Specification	AS-51115-001-007
Product Specification	PS-51115-001-001, PS-68503-001-001
Sales Drawing	SD-51115-XX0X-001



*Series image - Reference only*

**EU ELV**

**Compliant**

**EU RoHS**

**Compliant**

**REACH SVHC**

Not Contained Per -  
D(2021)10043-DC (17  
Jan 2022)

**Halogen-Free**

**Status**

**Not Low-Halogen**

For more information, please visit [Contact US](#)

China ROHS	Green Image
ELV	Compliant
RoHS Phthalates	Not Contained

**Search Parts in this Series**

[51115 Series](#)

**Mates With**

OBD-II Male Housing [685031602](#)

**Use With**

[50420 Terminal](#) . [51117 Retainer](#)