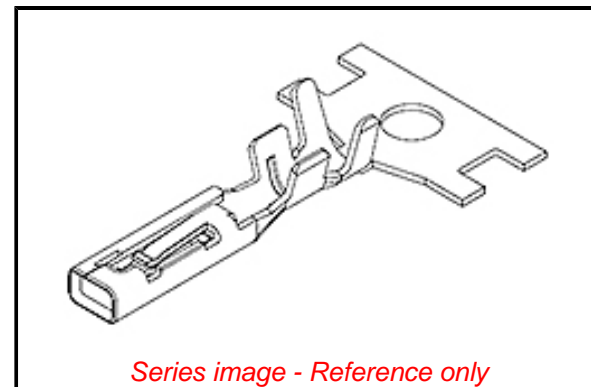


**PLEASE CHECK WWW.MOLEX.COM FOR LATEST PART INFORMATION**

**Part Number:** [5050731100](#)  
**Status:** **Active**  
**Overview:** TermiMate One-Circuit Terminal-Style Connector System  
**Description:** TermiMate Crimp Terminal Receptacle, 1.20mm Mated Height

**Documents:**

<a href="#">3D Model</a>	<a href="#">Application Specification AS-505071-001-001 (PDF)</a>
<a href="#">Drawing (PDF)</a>	<a href="#">Packaging Specification SPK-505073-001-001 (PDF)</a>
<a href="#">3D Model (PDF)</a>	<a href="#">RoHS Certificate of Compliance (PDF)</a>
<a href="#">Product Specification PS-505071-001-001 (PDF)</a>	



**General**

Product Family	Crimp Terminals
Series	<a href="#">505073</a>
Application	Signal, Wire-to-Board
Comments	See Product Specification for maximum current rating by wire AWG
Crimp Quality Equipment Overview	Yes <a href="#">TermiMate One-Circuit Terminal-Style Connector System</a>
Product Name	TermiMate
UPC	887191571041

**Physical**

Durability (mating cycles max)	20
Gender	Female
Material - Metal	Copper Alloy
Material - Plating Mating	Tin
Net Weight	54.000/mg
Packaging Type	Reel
Plating min - Mating	0.406µm
Termination Interface: Style	Crimp or Compression
Wire Insulation Diameter	0.9-1.7mm
Wire Size AWG	22, 24, 26
Wire Size mm <sup>2</sup>	0.126-0.34

**Electrical**

Current - Maximum per Contact	3.0A
Voltage - Maximum	125V AC (RMS)/DC

**Material Info**

**Reference - Drawing Numbers**

Application Specification	AS-505071-001-001
Application Tooling Documents	IS-0006E-001, IS-0006J-001, IS-0117E-001, IS-0117JE-001, IS-5781406000JE-001, IS-5781406100JE-001
Crimp Specification	CS-505073-001-001
Packaging Specification	SPK-505073-001-001
Product Specification	PS-505071-001-001
Sales Drawing	SD-505073-001-001

**EU ELV**

**Not Relevant**

**EU RoHS**

**Compliant**

**REACH SVHC**

Not Contained Per -  
D(2021)10043-DC (17  
Jan 2022)

**Halogen-Free**

**Status**

**Low-Halogen**

For more information, please visit [Contact US](#)

China ROHS

ELV

RoHS Phthalates

**China RoHS**

Green Image

Not Relevant

Not Contained

**Search Parts in this Series**

[505073 Series](#)

**Mates With**

TermiMate PCB Plug Terminal [5050710101](#)

**Application Tooling | FAQ**

*Tooling specifications and manuals are found by selecting the products below. Crimp Height Specifications are then contained in the Application Tooling Specification document.*

**Global**

**Description**

**Product #**

Unlatching Tool for TermiMate 505071 Plug Terminal for removal of TermiMate 505073 Crimp Terminal Receptacle	<a href="#">638245010</a>
Hand Crimp Tool for TermiMate Crimp Terminal Receptacle, 22-26 AWG Wire	<a href="#">638277500</a>

Hand Crimp Tool for [638277600](#)  
TermiMate Crimp  
Terminal Receptacle,  
22-26 AWG Wire  
FineAdjust Applicator [639037200](#)  
for TermiMate 1  
Circuit Wire-to-Board  
Crimp Terminals,  
22-26 AWG

**Japan**

<b>Description</b>	<b>Product #</b>
S-1 Applicator for TermiMate Terminals, 22-26 AWG	<a href="#">5781403700</a>

This document was generated on 04/14/2022

**PLEASE CHECK [WWW.MOLEX.COM](http://WWW.MOLEX.COM) FOR LATEST PART INFORMATION**