

5-160303-2 ✓ ACTIVE

FASTON | FASTON 110

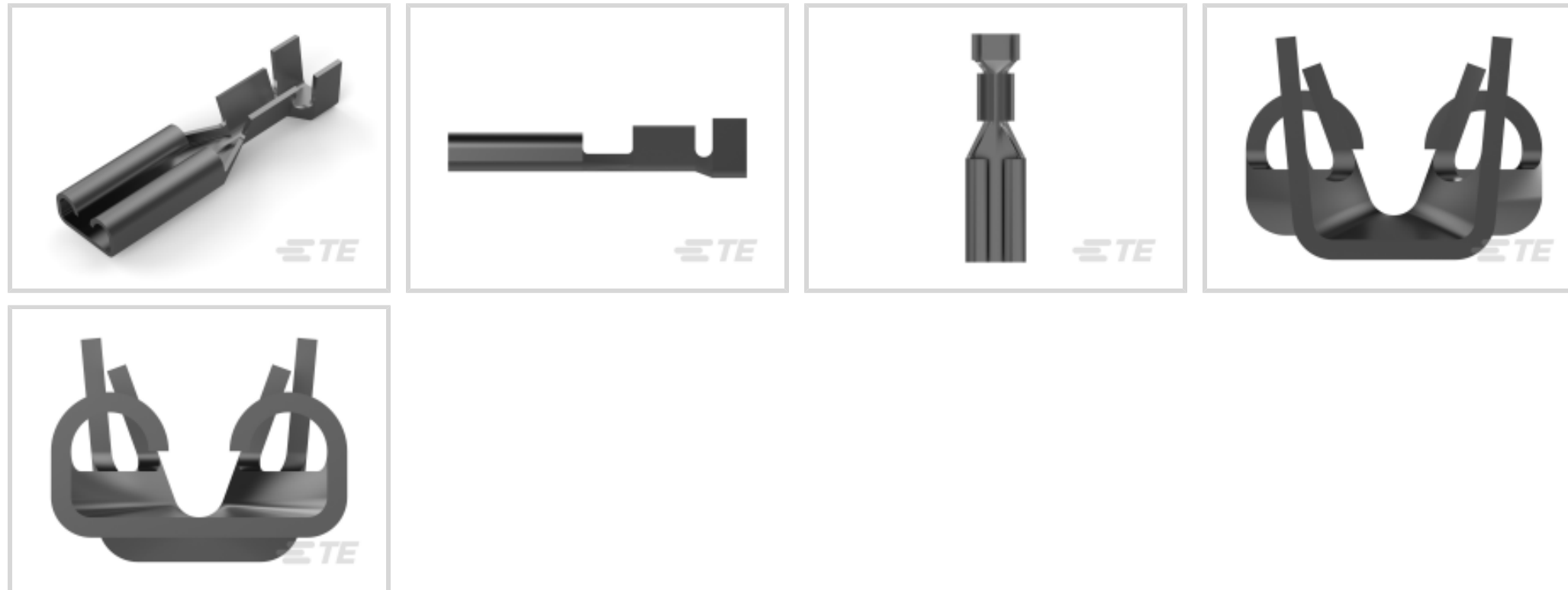
TE Internal #: 5-160303-2

FASTON 110, Quick Disconnects, Receptacle, 22 – 20 AWG Wire Size, .32 – .51 mm<sup>2</sup> Wire Size, Mating Tab Width .11 in [2.8 mm], Straight, Brass

[View on TE.com >](#)



Terminals & Splices > Quick Disconnects



Quick Disconnect Terminal Type: **Receptacle**

Wire Size: .32 – .51 mm<sup>2</sup>

Mating Tab Width: 2.8 mm [.11 in]

Mating Tab Thickness: .81 mm [.032 in]

## Features

### Product Type Features

Terminates To	Wire & Cable
Wire/Cable Type	Regular Wire
Wire Stop	No
Insertion Force	Normal
Sealable	No

### Configuration Features

Connection Capacity	Single
---------------------	--------

### Contact Features

Quick Disconnect Terminal Type	Receptacle
Mating Tab Width	2.8 mm [.11 in]
Mating Tab Thickness	.81 mm [.032 in]
Terminal Orientation	Straight
Contact Base Material	Brass
Terminal Plating Material	Tin
Crimp Type	F-Crimp



Barrel Type	Open
-------------	------

### Mechanical Attachment

Mating Retention Type	Dimple
-----------------------	--------

Wire Insulation Support	With
-------------------------	------

### Dimensions

Accepts Wire Insulation Diameter Range	1.3 – 2 mm [.05 – .078 in]
--	----------------------------

Receptacle Terminal Stock Thickness	.25 mm [.01 in]
-------------------------------------	-----------------

Overall Length	14 mm [.551 in]
----------------	-----------------

Wire Size	.32 – .51 mm <sup>2</sup>
-----------	---------------------------

### Usage Conditions

Insulation Requirement	Uninsulated
------------------------	-------------

Operating Temperature Range	-40 – 110 °C [-40 – 230 °F]
-----------------------------	-----------------------------

### Industry Standards

CSA Certified	Yes
---------------	-----

UL Rating	Listed
-----------	--------

### Packaging Features

Packaging Quantity	10000
--------------------	-------

Packaging Method	Strip/Reel
------------------	------------

### Other

Comment	Chamfered
---------	-----------

### Product Compliance

[For compliance documentation, visit the product page on TE.com>](#)

EU RoHS Directive 2011/65/EU	Compliant
------------------------------	-----------

EU ELV Directive 2000/53/EC	Compliant
-----------------------------	-----------

China RoHS 2 Directive MIIT Order No 32, 2016	No Restricted Materials Above Threshold
---	---

EU REACH Regulation (EC) No. 1907/2006	Current ECHA Candidate List: JAN 2022 (223) Candidate List Declared Against: JAN 2022 (223) Does not contain REACH SVHC
--	---

Halogen Content	Low Halogen - Br, Cl, F, I < 900 ppm per homogenous material. Also BFR/CFR/PVC Free
-----------------	---

Solder Process Capability

Not applicable for solder process capability

Product Compliance Disclaimer

This information is provided based on reasonable inquiry of our suppliers and represents our current actual knowledge based on the information they provided. This information is subject to change. The part numbers that TE has identified as EU RoHS compliant have a maximum concentration of 0.1% by weight in homogenous materials for lead, hexavalent chromium, mercury, PBB, PBDE, DBP, BBP, DEHP, DIBP, and 0.01% for cadmium, or qualify for an exemption to these limits as defined in the Annexes of Directive 2011/65/EU (RoHS2). Finished electrical and electronic equipment products will be CE marked as required by Directive 2011/65/EU. Components may not be CE marked. Additionally, the part numbers that TE has identified as EU ELV compliant have a maximum concentration of 0.1% by weight in homogenous materials for lead, hexavalent chromium, and mercury, and 0.01% for cadmium, or qualify for an exemption to these limits as defined in the Annexes of Directive 2000/53/EC (ELV). Regarding the REACH Regulation, the information TE provides on SVHC in articles for this part number is based on the latest European Chemicals Agency (ECHA) 'Guidance on requirements for substances in articles' posted at this URL: <https://echa.europa.eu/guidance-documents/guidance-on-reach>

## Compatible Parts



TE Part # 160597-4  
110 FASTON,REC.,30-26 AWG,TPBR



TE Part # 2-2150182-1  
OCEAN\_2.0\_Applicator-E-055F090F



TE Part # 2-2150182-2  
OCEAN\_2.0\_Applicator-E-055F090F



TE Part # 2150182-1  
OCEAN\_2.0\_Applicator-E-055F090F



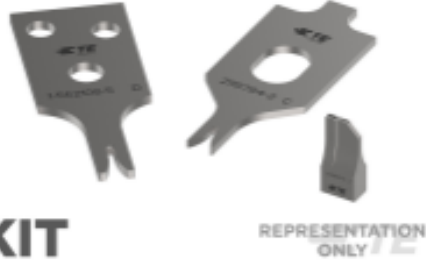
TE Part # 2150182-2  
OCEAN\_2.0\_Applicator-E-055F090F



TE Part # 7-2150182-1  
OCEAN\_2.0\_Applicator-E-055F090F



TE Part # 7-2150182-2  
OCEAN\_2.0\_Applicator-E-055F090F



**KIT**  
REPRESENTATION ONLY  
TE Part # 7-2150182-7  
OCEAN\_2.0\_SPARE\_PART\_KIT-055F090F



TE Part # 734520-1  
.110 FAST.HANDTOOL

Also in the Series | **FASTON 110**



Crimp Terminal Housings(17)



Insertion &amp; Extraction Tools(1)

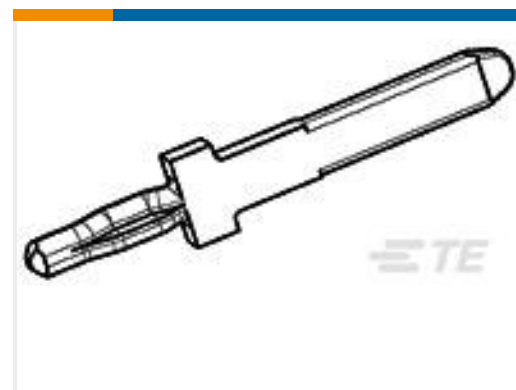


PCB Terminals(21)



Quick Disconnects(176)

## Customers Also Bought

TE Part #2-1379604-1  
24W TH HEADER ASSY BLACKTE Part #2315405-1  
4POS,TAB0.5X0.4,HDR ASSY,90DEG,  
COD ATE Part #2315411-1  
8POS,TAB0.5X0.4,HDR ASSY,90DEG,  
COD ATE Part #2317507-1  
2X6POS,NANOMQS,HDR ASSY,  
90DEG,SMD,COD ATE Part #2317525-1  
2X5POS,NANOMQS,HDR ASSY,  
180DEG,SMD,COD ATE Part #2317527-1  
2X6POS,NANOMQS,HDR ASSY,  
180DEG,SMD,COD ATE Part #368405-2  
ACTION PIN FOR 040 TABTE Part #2317531-1  
2X8POS,NANOMQS,HDR ASSY,  
180DEG,SMD,COD ATE Part #693459-1  
.070 F WIRE CRIMPER

## Documents

### Product Drawings

110 FASTON REC 22-20 AWG TPBR

English

### CAD Files

3D PDF

3D

Customer View Model

ENG\_CVM\_CVM\_5-160303-2\_BM.2d\_dxf.zip



English

Customer View Model

[ENG\\_CVM\\_CVM\\_5-160303-2\\_BM.3d\\_igs.zip](#)

English

Customer View Model

[ENG\\_CVM\\_CVM\\_5-160303-2\\_BM.3d\\_stp.zip](#)

English

By downloading the CAD file I accept and agree to the [Terms and Conditions](#) of use.

---

### Product Specifications

[FASTON conn. .110 srs. rec. etc.](#)

[Application Specification](#)

[Application Specification](#)

English

[EB\\*\\*General Application Specification for Open Barrel Terminals](#)

English

[Application Specification](#)

English

---

### Product Environmental Compliance

[Product Compliance](#)

English

[Product Compliance](#)

English

---

### Agency Approvals

[UL Report](#)

English