



Alcoswitch

TE Internal #: 5-1437624-3

Switch Knobs, Knob, Phenolic, Fluted Knob Design, .25 in [6.35 mm]

Shaft Size, 25.7 mm [1.012 in] Diameter, Black, Line

[View on TE.com >](#)

Relays, Contactors & Switches > Switches > Switch Knobs



Switch Knob Product Type: **Knob**

Switch Knob Material: **Phenolic**

Knob Design: **Fluted**

Shaft Size: **6.35 mm [.25 in]**

Switch Knob Diameter: **25.7 mm [1.012 in]**

Features

Product Type Features

Switch Knob Product Type	Knob
--------------------------	------

Configuration Features

Skirt	With
Spinner	Without
Spin Plate	Without
Knob Design	Fluted

Body Features

Switch Knob Material	Phenolic
Switch Knob Color	Black

Dimensions

Shaft Size	6.35 mm[.25 in]
Switch Knob Diameter	25.7 mm[1.012 in]

Identification Marking

Indicator Style	Line
Indicator Location	Top, Side & Skirt

Other

Comment	Top spun aluminum inlay
---------	-------------------------



Product Compliance

[For compliance documentation, visit the product page on TE.com>](#)

EU RoHS Directive 2011/65/EU	Compliant
EU ELV Directive 2000/53/EC	Compliant
China RoHS 2 Directive MIIT Order No 32, 2016	No Restricted Materials Above Threshold
EU REACH Regulation (EC) No. 1907/2006	Current ECHA Candidate List: JAN 2022 (223) Candidate List Declared Against: JAN 2021 (211) SVHC > Threshold: Not Yet Reviewed
Halogen Content	Not Yet Reviewed for halogen content
Solder Process Capability	Not applicable for solder process capability

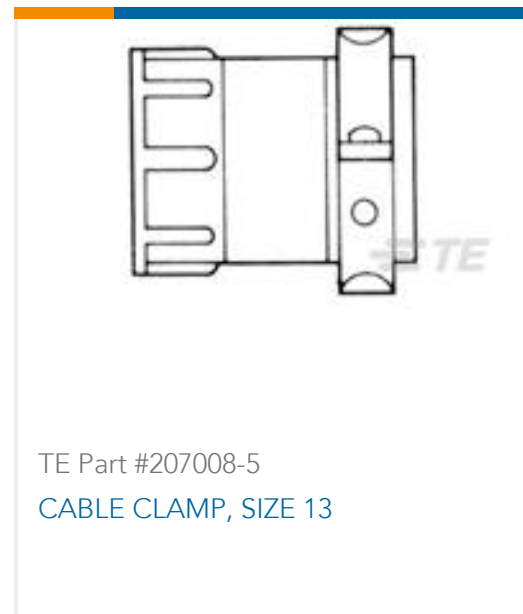
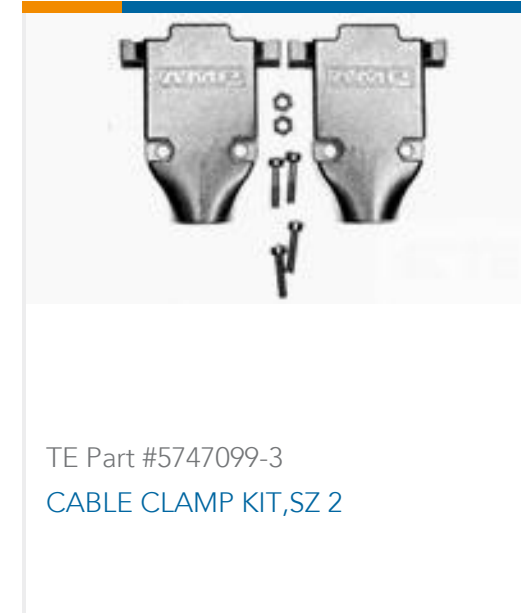
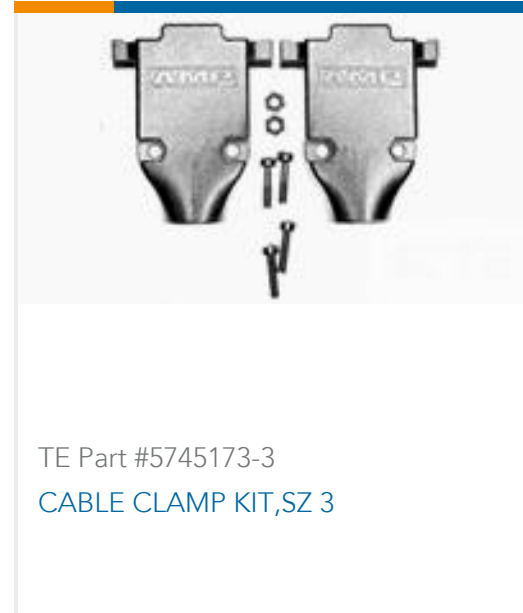
Product Compliance Disclaimer

This information is provided based on reasonable inquiry of our suppliers and represents our current actual knowledge based on the information they provided. This information is subject to change. The part numbers that TE has identified as EU RoHS compliant have a maximum concentration of 0.1% by weight in homogenous materials for lead, hexavalent chromium, mercury, PBB, PBDE, DBP, BBP, DEHP, DIBP, and 0.01% for cadmium, or qualify for an exemption to these limits as defined in the Annexes of Directive 2011/65/EU (RoHS2). Finished electrical and electronic equipment products will be CE marked as required by Directive 2011/65/EU. Components may not be CE marked. Additionally, the part numbers that TE has identified as EU ELV compliant have a maximum concentration of 0.1% by weight in homogenous materials for lead, hexavalent chromium, and mercury, and 0.01% for cadmium, or qualify for an exemption to these limits as defined in the Annexes of Directive 2000/53/EC (ELV). Regarding the REACH Regulation, the information TE provides on SVHC in articles for this part number is based on the latest European Chemicals Agency (ECHA) 'Guidance on requirements for substances in articles' posted at this URL: <https://echa.europa.eu/guidance-documents/guidance-on-reach>

Compatible Parts



Customers Also Bought



Documents

Product Drawings

[PKES90B1/4=KNOB PLSTC FLUTED W](#)

English

CAD Files

Customer View Model

[ENG_CVM_5-1437624-3_A.3d_igs.zip](#)

English

Customer View Model

[ENG_CVM_5-1437624-3_A.3d_stp.zip](#)

English

Customer View Model

[ENG_CVM_5-1437624-3_A.2d_dxf.zip](#)

English

[3D PDF](#)

English

By downloading the CAD file I accept and agree to the [Terms and Conditions](#) of use.

Datasheets & Catalog Pages

PKES90B1/4

Switch Knobs, Knob, Phenolic, Fluted Knob Design, .25 in [6.35 mm] Shaft Size, 25.7 mm [1.012 in] Diameter, Black, Line



SWITCHES_CORE_PROGRAM_CATALOG

English