

# HT-SCE-1K-1/2-2.0-0 ✓ ACTIVE

## HT-SCE

TE Internal #: 0497070001

HT-SCE, Printable Tubing, Ladder, Military, 2:1 Shrink Ratio, White, Markers per Sleeve 2, Length 29.63 mm [1.167 in]

[View on TE.com >](#)



Identification & Labeling > Printable Tubing > HT-SCE HIGH TEMPERATURE SLEEVES



Printable Tubing Type: **Ladder**

Printable Tubing Grade: **Military**

Printable Tubing Shrink Ratio: **2:1**

Primary Product Color: **White**

Markers per Sleeve: **2**

[All HT-SCE HIGH TEMPERATURE SLEEVES \(66\)](#)

## Features

### Product Type Features

|                        |          |
|------------------------|----------|
| Printable Tubing Type  | Ladder   |
| Printable Tubing Grade | Military |

### Body Features

|                               |       |
|-------------------------------|-------|
| Printable Tubing Shrink Ratio | 2:1   |
| Primary Product Color         | White |
| Markers per Sleeve            | 2     |

### Dimensions

|                           |                    |
|---------------------------|--------------------|
| Product Length            | 29.63 mm[1.167 in] |
| Supplied Inner Diameter   | 12.7 mm[.5 in]     |
| Recovered Inside Diameter | 6.35 mm[.25 in]    |

### Usage Conditions

|                             |                            |
|-----------------------------|----------------------------|
| Operating Temperature Range | -55 – 225 °C[-67 – 437 °F] |
|-----------------------------|----------------------------|

### Operation/Application

|                    |  |
|--------------------|--|
| Recommended Ribbon | See TE Document 411-121005 the Printer Product Ribbon Matrix |
|--------------------|--|

### Printer/Label Features

|  |  |
|--|--|
|  |  |
|--|--|



|                     |  |
|---------------------|--|
| Recommended Printer | See TE Document 411-121005 the Printer Product Ribbon Matrix |
|---------------------|--|

|                    |                  |
|--------------------|------------------|
| Printer Technology | Thermal Transfer |
|--------------------|------------------|

### Packaging Features

|                    |      |
|--------------------|------|
| Packaging Quantity | 1000 |
|--------------------|------|

### Product Compliance

[For compliance documentation, visit the product page on TE.com>](#)

|                              |           |
|------------------------------|-----------|
| EU RoHS Directive 2011/65/EU | Compliant |
|------------------------------|-----------|

|                             |           |
|-----------------------------|-----------|
| EU ELV Directive 2000/53/EC | Compliant |
|-----------------------------|-----------|

|   |   |
|---|---|
| China RoHS 2 Directive MIIT Order No 32, 2016 | No Restricted Materials Above Threshold |
|---|---|

|  |   |
|--|---|
| EU REACH Regulation (EC) No. 1907/2006 | Current ECHA Candidate List: JAN 2022 (223)<br>Candidate List Declared Against: JUL 2021 (219)<br>SVHC > Threshold:<br>Not Yet Reviewed |
|--|---|

|                 |  |
|-----------------|--|
| Halogen Content | Low Bromine/Chlorine - Br and Cl < 900 ppm per homogenous material. Also BFR /CFR/PVC Free |
|-----------------|--|

|                           |  |
|---------------------------|--|
| Solder Process Capability | Not applicable for solder process capability |
|---------------------------|--|

#### Product Compliance Disclaimer

This information is provided based on reasonable inquiry of our suppliers and represents our current actual knowledge based on the information they provided. This information is subject to change. The part numbers that TE has identified as EU RoHS compliant have a maximum concentration of 0.1% by weight in homogenous materials for lead, hexavalent chromium, mercury, PBB, PBDE, DBP, BBP, DEHP, DIBP, and 0.01% for cadmium, or qualify for an exemption to these limits as defined in the Annexes of Directive 2011/65/EU (RoHS2). Finished electrical and electronic equipment products will be CE marked as required by Directive 2011/65/EU. Components may not be CE marked. Additionally, the part numbers that TE has identified as EU ELV compliant have a maximum concentration of 0.1% by weight in homogenous materials for lead, hexavalent chromium, and mercury, and 0.01% for cadmium, or qualify for an exemption to these limits as defined in the Annexes of Directive 2000/53/EC (ELV). Regarding the REACH Regulation, the information TE provides on SVHC in articles for this part number is based on the latest European Chemicals Agency (ECHA) 'Guidance on requirements for substances in articles' posted at this URL: <https://echa.europa.eu/guidance-documents/guidance-on-reach>

### Compatible Parts



TE Part # 1-2186502-1  
T3224-PRINTER



TE Part # 1-2186503-1  
T3224-SWARE-PRINTER



TE Part # 154739-000  
T300-RIBBON-WH-4HT



TE Part # CP8122-000  
T6112DS-PRINTER



TE Part # 1-2186500-1  
T3212-PRINTER



TE Part # 1-2186501-1  
T3212-SWARE-PRINTER

### Also in the Series | HT-SCE



Printable Tubing(19)

### Customers Also Bought



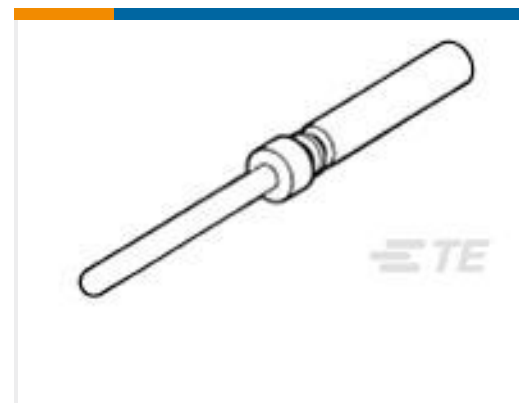
TE Part #12331-20  
CONT PIN



TE Part #0641-2-1631L  
CONT PIN



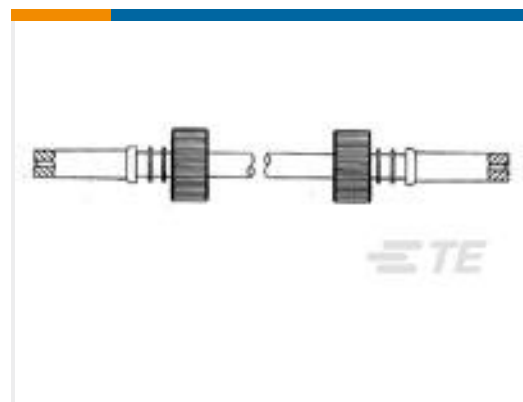
TE Part #204351-1  
SZ 22 SOCKET CONTACT



TE Part #204370-2  
PIN CONTACT, Sz22D, 22-28 AWG



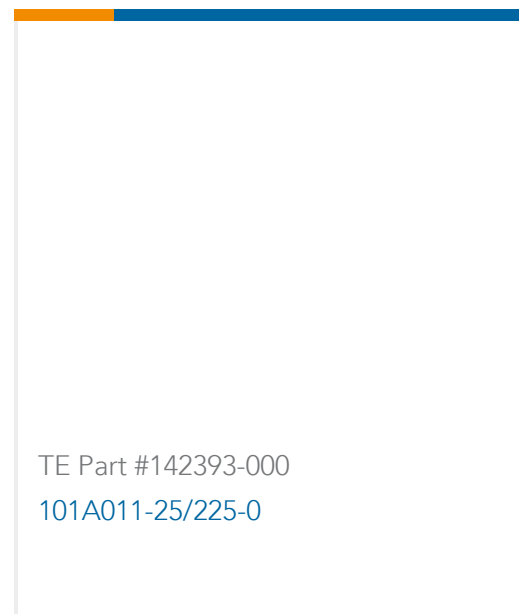
TE Part #0660-206-1631L  
CONT PIN



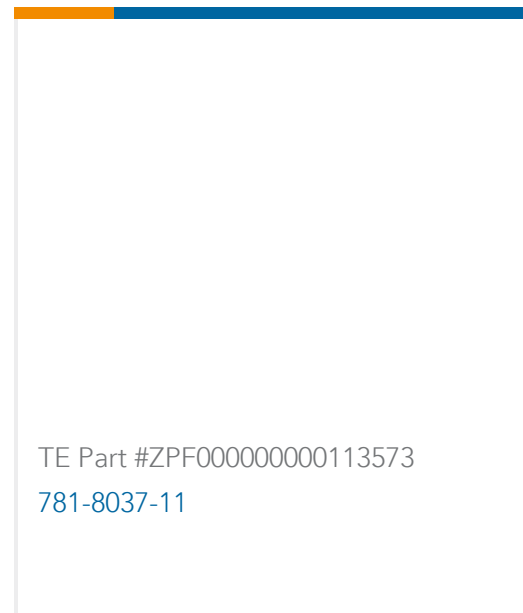
TE Part #2-839565-2  
LGH-2 DBL MLD END LEAD



TE Part #600435N002  
RD16A16-19-S8CS051/2



TE Part #142393-000  
101A011-25/225-0



## Documents

### Product Drawings

[HT-SCE-1K-1/2-2.0-0](#)

English

---

### Datasheets & Catalog Pages

[HT-SCE Heat Shrinkable Sleeves](#)

English

---

### Product Specifications

[Product Specification](#)

English

---

### Instruction Sheets

[Instruction Sheet \(non U.S.\)](#)

English