



TE Internal #: 494034-2
 FFC Contacts, Cable-to-Cable, 2.54 mm [.1 in] Centerline, Discrete
 Wire, Pin, Gold, Bag, Insulation Displacement (IDC), 24 – 22 AWG
 Wire Size

[View on TE.com >](#)

Connectors > PCB Connectors > Wire-to-Board Connectors > FFC, FPC & Ribbon Connectors > FFC Contacts >

2.54mm FFC Connectors Pin Contacts



Connector System: **Cable-to-Cable**
 Centerline (Pitch): **2.54 mm [.1 in]**
 Compatible With Wire & Cable Type: **Discrete Wire**
 Contact Type: **Pin**
 Contact Mating Area Plating Material: **Gold**

[All 2.54mm FFC Connectors Pin Contacts \(34\)](#)

Features

Product Type Features

Connector System	Cable-to-Cable
Sealable	No
Connector & Contact Terminates To	Wire & Cable

Configuration Features

Compatible With Wire & Cable Type	Discrete Wire
-----------------------------------	---------------

Contact Features

	15 µin
Contact Underplating Material	Nickel
PCB Contact Termination Area Plating Material	Tin
Contact Base Material	Phosphor Bronze
Contact Type	Pin
Contact Mating Area Plating Material	Gold



Contact Current Rating (Max)	2 A
------------------------------	-----

Termination Features

Termination Method to Wire & Cable	Insulation Displacement (IDC)
------------------------------------	-------------------------------

Mechanical Attachment

Connector Mounting Type	Cable Mount (Free-Hanging)
-------------------------	----------------------------

Housing Features

Centerline (Pitch)	2.54 mm [.1 in]
--------------------	-----------------

Dimensions

Accepts Conductor Width	1.27 mm, 1.82 mm
-------------------------	------------------

Wire Size	.2 – .4 mm ²
-----------	-------------------------

Accepts Wire Insulation Diameter Range	1.02 – 1.42 mm [.04 – .056 in]
--	--------------------------------

Usage Conditions

Operating Temperature Range	-65 – 105 °C [-85 – 221 °F]
-----------------------------	-----------------------------

Operation/Application

Circuit Application	Signal
---------------------	--------

Packaging Features

Packaging Method	Bag
------------------	-----

Other

Comment	Use Extraction Tool No. 91092-1 for end locking slot and Extraction Tool No. 91093-1 for side locking lance slot.
---------	---

Product Compliance

[For compliance documentation, visit the product page on TE.com>](#)

EU RoHS Directive 2011/65/EU	Compliant
------------------------------	-----------

EU ELV Directive 2000/53/EC	Compliant
-----------------------------	-----------

China RoHS 2 Directive MIIT Order No 32, 2016	No Restricted Materials Above Threshold
---	---

EU REACH Regulation (EC) No. 1907/2006	Current ECHA Candidate List: JAN 2022 (223) Candidate List Declared Against: JAN 2022 (223) Does not contain REACH SVHC
--	---

Halogen Content	Low Halogen - Br, Cl, F, I < 900 ppm per homogenous material. Also BFR/CFR/PVC Free
-----------------	---

Solder Process Capability

Not applicable for solder process capability

Product Compliance Disclaimer

This information is provided based on reasonable inquiry of our suppliers and represents our current actual knowledge based on the information they provided. This information is subject to change. The part numbers that TE has identified as EU RoHS compliant have a maximum concentration of 0.1% by weight in homogenous materials for lead, hexavalent chromium, mercury, PBB, PBDE, DBP, BBP, DEHP, DIBP, and 0.01% for cadmium, or qualify for an exemption to these limits as defined in the Annexes of Directive 2011/65/EU (RoHS2). Finished electrical and electronic equipment products will be CE marked as required by Directive 2011/65/EU. Components may not be CE marked. Additionally, the part numbers that TE has identified as EU ELV compliant have a maximum concentration of 0.1% by weight in homogenous materials for lead, hexavalent chromium, and mercury, and 0.01% for cadmium, or qualify for an exemption to these limits as defined in the Annexes of Directive 2000/53/EC (ELV). Regarding the REACH Regulation, the information TE provides on SVHC in articles for this part number is based on the latest European Chemicals Agency (ECHA) 'Guidance on requirements for substances in articles' posted at this URL: <https://echa.europa.eu/guidance-documents/guidance-on-reach>

Compatible Parts



TE Part # CAT-F439-R2435254
2.54mm FFC Connectors Receptacle Housing



TE Part # 58535-1
PRO-CRIMPER ASSY MODU MODII



TE Part # 485893-5
007 HOUSING FFC PIN 100CL SR



TE Part # 485893-8
010 HOUSING FFC PIN 100CL SR



TE Part # 485893-9
011 HOUSING FFC PIN 100CL SR



TE Part # 1-485893-4
016 HOUSING FFC PIN 100CL SR



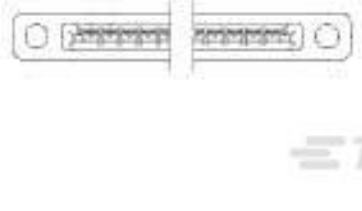
TE Part # 3-88189-2
006 HOUSING FFC PIN DR 100CL



TE Part # 1-485893-0
012 HOUSING FFC PIN 100CL SR



TE Part # 1-88189-0
026 HOUSING FFC PIN DR 100CL



TE Part # 485897-2
004 HOUSING FFC PIN 100CL SR



TE Part # 1-485893-6
018 HOUSING FFC PIN 100CL SR



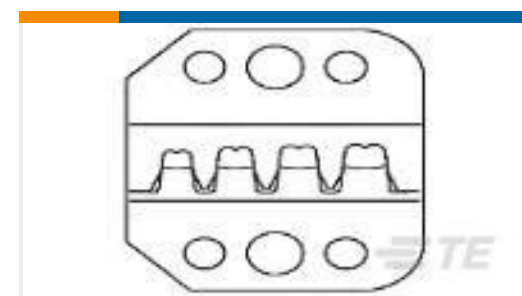
TE Part # 1-485893-8
020 HOUSING FFC PIN 100CL SR



TE Part # 3-88190-0
010 HOUSING FFC PIN DR 100CL



TE Part # 2-487406-6
RCPT CONTACT,STD PRESS,FFC



TE Part # 58535-2
PRO-CRIMPER ASSY MODU



TE Part # 485893-6
008 HOUSING FFC PIN 100CL SR



TE Part # 485893-3
005 HOUSING FFC PIN 100CL SR



TE Part # 485893-4
006 HOUSING FFC PIN 100CL SR



TE Part # 485893-2
004 HOUSING FFC PIN 100CL SR



TE Part # 1-485893-1
013 HOUSING FFC PIN 100CL SR

Customers Also Bought



TE Part #1-487547-1
FFC,RCPT CONTACT, .050" CNTRLIN



TE Part #2-487406-4
FFC,RCPT CONTACT,STD PRESSURE



TE Part #1-487545-7
020 HOUSING FFC RCPT 050CL SR



TE Part #1-562108-5
CRIMPER WIRE



TE Part #5-102393-6
16 AMPMODU MT ASSY DR.100CL SN



TE Part #66581-7
TYPE VI PIN,MULTI-MATE



TE Part #2-2119805-3
SHEAR HOLDER, FRONT



TE Part #2151573-2
OCEAN_2.0_APPLICATOR-S-130F160F



TE Part #7-2151573-7
OCEAN_2.0_SPARE_PART_KIT-130F160F



TE Part #CM6264-000
TTMS-MP-12.7-9

Documents



Product Drawings

[FFC,PIN CONTACT,LP,ROUND WIRE,](#)

English

CAD Files

Customer View Model

[ENG_CVM_CVM_494034-2_E.2d_dxf.zip](#)

English

[3D PDF](#)

3D

Customer View Model

[ENG_CVM_CVM_494034-2_E.3d_igs.zip](#)

English

Customer View Model

[ENG_CVM_CVM_494034-2_E.3d_stp.zip](#)

English

By downloading the CAD file I accept and agree to the [Terms and Conditions](#) of use.

Product Specifications

[Application Specification](#)

English

[Application Specification](#)

English

Instruction Sheets

[Instruction Sheet \(U.S.\)](#)

English

[Instruction Sheet \(U.S.\)](#)

English

[Extraction Tool for Flexible Flat Cable \(FFC\)](#)

English