



Wire Protection & Management > Interconnect Devices > SolderSleeve Shield Terminators



SolderSleeve Shield Terminator Product Type: **Cable Terminator, Shield Terminator, Wire Terminator**

Operating Temperature (Max): **150 °C**

Expanded Inside Diameter (Min): **5.95 mm [.234 in]**

Recovered Inside Diameter (Max): **1.78 mm [.07 in]**

Pre-Installed Lead: **Yes**

Features

Product Type Features

| | |
|---|--|
| Splice Type | Shield Terminator |
| Temperature Indicator Type | Fusible Ring |
| Temperature Indicator | Yes |
| SolderSleeve Shield Terminator Product Type | Cable Terminator, Shield Terminator, Wire Terminator |

Configuration Features

| | |
|-------------------------|-------------|
| Pre-Installed Lead Type | Braid Strap |
| Pre-Installed Lead | Yes |

Body Features

| | |
|-----------------------|-----------|
| Lead Plating Material | Tin |
| Lead Stranding | 40x36 AWG |

Termination Features

| | |
|--------------------|--------|
| Termination Method | Solder |
|--------------------|--------|

Dimensions

| | |
|-----------------------------------|--------------------|
| Pre-Installed Lead Wire Size | .5 mm ² |
| Dielectric Outside Diameter (Max) | 1.8 mm[.07 in] |
| Shield Outside Diameter (Min) | 3.3 mm[.13 in] |
| Overall Length | 19.1 mm[.75 in] |
| Jacket Outside Diameter | 5.95 mm[.234 in] |



| | |
|--------------------------------|-------------------|
| Expanded Inside Diameter (Min) | 5.95 mm [.234 in] |
|--------------------------------|-------------------|

| | |
|---------------------------------|------------------|
| Recovered Inside Diameter (Max) | 1.78 mm [.07 in] |
|---------------------------------|------------------|

Usage Conditions

| | |
|-----------------------------|--------|
| Operating Temperature (Max) | 150 °C |
|-----------------------------|--------|

| | |
|-----------------------|----------------------|
| Resistance Properties | Immersion Protection |
|-----------------------|----------------------|

| | |
|------------------------|--------|
| Wire Temperature (Max) | 125 °C |
|------------------------|--------|

Industry Standards

| | |
|----------------------|----|
| Government Qualified | No |
|----------------------|----|

| | |
|---|----|
| MIL/NAS Specification (MIL-S-83519, NAS-1747) | No |
|---|----|

Product Compliance

[For compliance documentation, visit the product page on TE.com>](#)

| | |
|------------------------------|---------------|
| EU RoHS Directive 2011/65/EU | Not Compliant |
|------------------------------|---------------|

| | |
|-----------------------------|---------------|
| EU ELV Directive 2000/53/EC | Not Compliant |
|-----------------------------|---------------|

| | |
|---|--------------------------------------|
| China RoHS 2 Directive MIIT Order No 32, 2016 | Restricted Materials Above Threshold |
|---|--------------------------------------|

| | |
|--|---|
| EU REACH Regulation (EC) No. 1907/2006 | <p>Current ECHA Candidate List: JAN 2022 (223) Candidate List Declared Against: JUL 2021 (219) SVHC > Threshold: Cd (.4% in Braid) Pb (37% in Solder)</p> <p>Article Safe Usage Statements: Use personal protective equipment as required. Do not eat, drink or smoke when using this product. Wash thoroughly after handling. Recycle if possible and dispose of the article by following all applicable governmental regulations relevant to your geographic location.</p> |
|--|---|

| | |
|-----------------|--|
| Halogen Content | Low Bromine/Chlorine - Br and Cl < 900 ppm per homogenous material. Also BFR /CFR/PVC Free |
|-----------------|--|

| | |
|---------------------------|--|
| Solder Process Capability | Not applicable for solder process capability |
|---------------------------|--|

Product Compliance Disclaimer

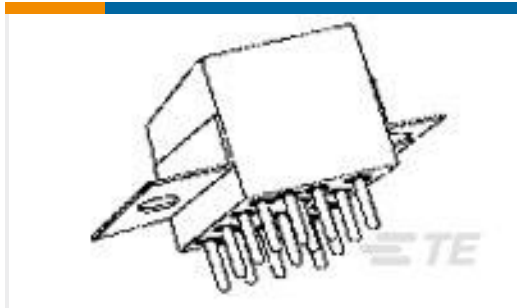
This information is provided based on reasonable inquiry of our suppliers and represents our current actual knowledge based on the information they provided. This information is subject to change. The part numbers that TE has identified as EU RoHS compliant have a maximum concentration of 0.1% by weight in homogenous materials for lead, hexavalent chromium, mercury, PBB, PBDE, DBP, BBP, DEHP, DIBP, and 0.01% for cadmium, or qualify for an exemption to these limits as defined in the Annexes of Directive 2011/65/EU (RoHS2). Finished electrical and electronic equipment products will be CE marked as required by Directive 2011/65/EU. Components may not be CE marked. Additionally, the part numbers that TE has identified as EU ELV compliant have a maximum concentration of 0.1% by weight in homogenous materials for lead, hexavalent chromium, and mercury, and 0.01% for cadmium, or qualify for an exemption to these limits as defined in the Annexes of Directive 2000/53/EC (ELV). Regarding the REACH Regulation, the information TE provides on SVHC in articles for this part number is based on the latest European Chemicals Agency (ECHA) 'Guidance on requirements for substances in articles' posted at this URL: <https://echa.europa.eu/guidance-documents/guidance-on-reach>

Compatible Parts



TE Part # CJ2087-000
[HL2010E-KIT-120V](#)

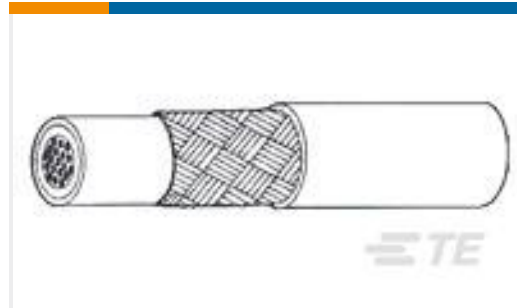
Customers Also Bought



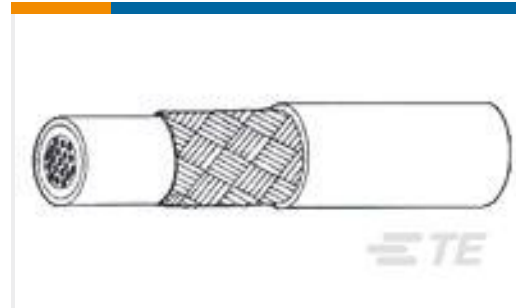
TE Part #8-1617760-3
[FCB-405-0622M=M83536/6-022M](#)



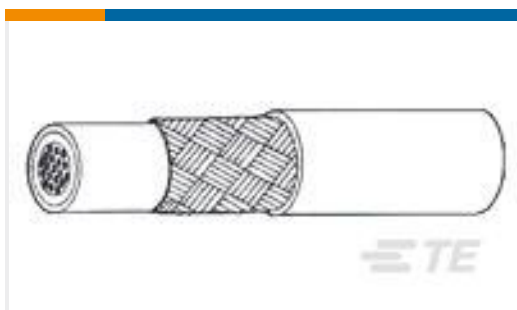
TE Part #324049
[TERMINAL,T-N R 6 3/8](#)



TE Part #153711-000
[44AM1111-18-9-9CS2275](#)



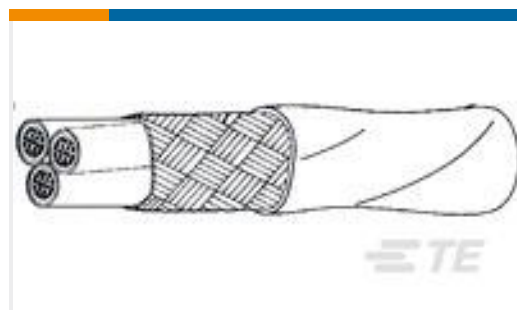
TE Part #970155-000
[44AM1111-20-9-9CS2275](#)



TE Part #146439-000
[44AM1111-22-9-9CS2275](#)



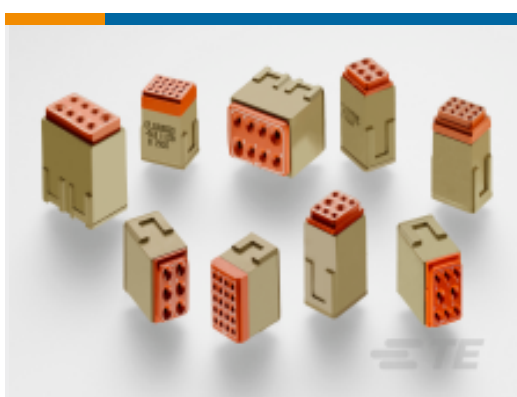
TE Part #515777-000
[44AM1131-18-MST3-9CS2275](#)



TE Part #880559-000
[44AM1131-24-MST3-9CS2275](#)



TE Part #CTJ-3D-06
[RAIL ASSY](#)



TE Part #CTJ120E01B-513
[MODULE ASSY](#)

Documents

Product Drawings

[SO63-4-9030](#)

English

Datasheets & Catalog Pages

[1654025_Sec8_B-155_CWT_SO63_S01to03_SO96](#)

English



[Raychem Electrical Interconnect Products](#)

English

[Product Specifications](#)

[Product Specification](#)

English