



**RAYCHEM**

TE Internal #: 466338-000

Screened Backshells & Adapters, Straight, A6 TE Adapter Code, Aluminum Alloy, Cable-to-Cable, Cadmium (SAE AMS-QQ-P-416, Type II, Class 3)

[View on TE.com >](#)

Connectors > Connector Backshells & Adapters > Screened Backshells & Adapters



Adapter Angle: **Straight**

TE Adapter Code: **A6**

Backshell Material: **Aluminum Alloy**

Connector System: **Cable-to-Cable**

Adapter Plating Material: **Cadmium (SAE AMS-QQ-P-416, Type II, Class 3)**

**Features**

**Product Type Features**

Adapter Angle	Straight
Connector System	Cable-to-Cable
Termination Device Type	Ferrule, HexaShield
Connector Shell Size	02
Sealable	Yes

**Body Features**

Adapter Underplating Material	Suitable Material per SAE-AS85049 (500 Hour Salt Spray)
TE Adapter Code	A6
Backshell Material	Aluminum Alloy
Adapter Plating Material	Cadmium (SAE AMS-QQ-P-416, Type II, Class 3)

**Product Compliance**

[For compliance documentation, visit the product page on TE.com>](#)

EU RoHS Directive 2011/65/EU	Not Yet Reviewed
EU ELV Directive 2000/53/EC	Not Compliant
China RoHS 2 Directive MIIT Order No 32, 2016	Not reviewed for China RoHS compliance
EU REACH Regulation (EC) No. 1907/2006	



Current ECHA Candidate List: JUNE 2022  
(224)

Candidate List Declared Against: JUL 2021  
(219)

SVHC > Threshold:

Cd (3% in Plating)

Pb (.3% in Backshell)

**Article Safe Usage Statements:**

Use personal protective equipment as required. Do not eat, drink or smoke when using this product. Wash thoroughly after handling. Recycle if possible and dispose of the article by following all applicable governmental regulations relevant to your geographic location.

Halogen Content

Low Halogen - Br, Cl, F, I < 900 ppm per homogenous material. Also BFR/CFR/PVC Free

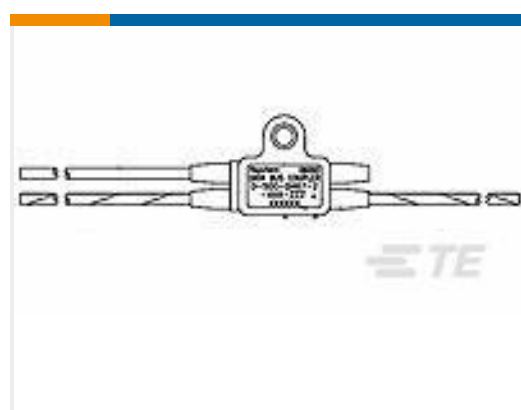
Solder Process Capability

Not applicable for solder process capability

Product Compliance Disclaimer

This information is provided based on reasonable inquiry of our suppliers and represents our current actual knowledge based on the information they provided. This information is subject to change. The part numbers that TE has identified as EU RoHS compliant have a maximum concentration of 0.1% by weight in homogenous materials for lead, hexavalent chromium, mercury, PBB, PBDE, DBP, BBP, DEHP, DIBP, and 0.01% for cadmium, or qualify for an exemption to these limits as defined in the Annexes of Directive 2011/65/EU (RoHS2). Finished electrical and electronic equipment products will be CE marked as required by Directive 2011/65/EU. Components may not be CE marked. Additionally, the part numbers that TE has identified as EU ELV compliant have a maximum concentration of 0.1% by weight in homogenous materials for lead, hexavalent chromium, and mercury, and 0.01% for cadmium, or qualify for an exemption to these limits as defined in the Annexes of Directive 2000/53/EC (ELV). Regarding the REACH Regulation, the information TE provides on SVHC in articles for this part number is based on the latest European Chemicals Agency (ECHA) 'Guidance on requirements for substances in articles' posted at this URL: <https://echa.europa.eu/guidance-documents/guidance-on-reach>

Customers Also Bought



TE Part #451385-000  
D-500-0467-2-613-079



TE Part #210095-000  
55PC6023-22-3/5/6/9-9



TE Part #YACT24MC08PAV00100  
JAM NUT RECEPTACLE



TE Part #EG9627-000  
D-200-86



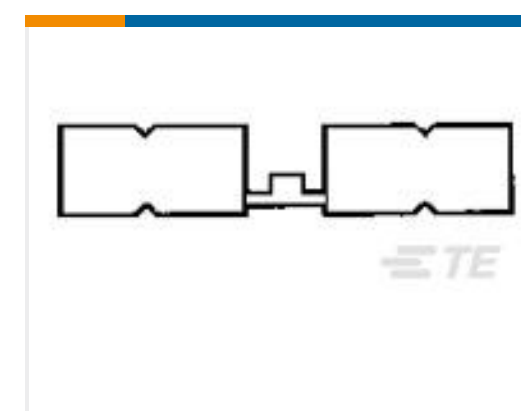
TE Part #425030-000  
HEX40-AC-45-23-A13-1



TE Part #930607-000  
HEXA6-AC-00-02-A18-1



TE Part #600924-000  
HEXA6-AC-00-02-A25-1



TE Part #323699  
DIAMOND GRIP 12-10 HT BUTT

Documents

HEXA6-AB-00-02-A25-1

Screened Backshells & Adapters, Straight, A6 TE Adapter Code, Aluminum Alloy,  
Cable-to-Cable, Cadmium (SAE AMS-QQ-P-416, Type II, Class 3)



### Product Drawings

[HEXA6-AB-00-02-A25-1](#)

English

---

### Datasheets & Catalog Pages

[HexaShield High Performance Adapters](#)

English