



Terminals & Splices > Splices



Sealable: **Yes**

Accepts Wire Insulation Diameter Range: **1.9 mm [.075 in]**

Wire Size: **350 – 2000 CMA**

Serrated: **No**

Overall Product Length: **29.7 mm [1.17 in]**

Features

Product Type Features

Sealable	Yes
Serrated	No

Body Features

Insulation Sleeve Material	Polyvinylidene Fluoride
Weight per Piece	1 g
Plating Material	Tin/Silver
Insulation Material	Heat Shrink Radiation-Crosslinked Modified Polyvinylidene Fluoride

Contact Features

Barrel Type	Open
-------------	------

Termination Features

Termination Method	Solder
--------------------	--------

Dimensions

Accepts Wire Insulation Diameter Range	1.9 mm[.075 in]
Wire Size	350 – 2000 CMA
Overall Product Length	29.7 mm[1.17 in]

Usage Conditions

Cable Temperature Rating	125 °C
Fluid Resistance	Immersion



Insulation Requirement	Fully Insulated
Operating Temperature Range	-55 – 150 °C[-67 – 302 °F]

Industry Standards

Government Qualified Splice	No
-----------------------------	----

Packaging Features

Packaging Quantity	100
Packaging Method	Package

Other

Barrel Color	Clear
--------------	-------

Product Compliance

[For compliance documentation, visit the product page on TE.com>](#)

EU RoHS Directive 2011/65/EU	Not Compliant
EU ELV Directive 2000/53/EC	Not Compliant
China RoHS 2 Directive MIIT Order No 32, 2016	Restricted Materials Above Threshold

EU REACH Regulation (EC) No. 1907/2006

Current ECHA Candidate List: JAN 2022 (223)
 Candidate List Declared Against: JUL 2021 (219)
 SVHC > Threshold:
 Pb (37% in Solder)

Article Safe Usage Statements:
 Do not eat, drink or smoke when using this product. Wash thoroughly after handling. Recycle if possible and dispose of the article by following all applicable governmental regulations relevant to your geographic location.

Halogen Content	Low Bromine/Chlorine - Br and Cl < 900 ppm per homogenous material. Also BFR /CFR/PVC Free
-----------------	--

Solder Process Capability Not applicable for solder process capability

Product Compliance Disclaimer

This information is provided based on reasonable inquiry of our suppliers and represents our current actual knowledge based on the information they provided. This information is subject to change. The part numbers that TE has identified as EU RoHS compliant have a maximum concentration of 0.1% by weight in homogenous materials for lead, hexavalent chromium, mercury, PBB, PBDE, DBP, BBP, DEHP, DIBP, and 0.01% for cadmium, or qualify for an exemption to these limits as defined in the Annexes of Directive 2011/65/EU (RoHS2). Finished electrical and electronic equipment products will be CE marked as required by Directive 2011/65/EU. Components may not be CE marked. Additionally, the part numbers that TE has identified as EU ELV compliant have a maximum concentration of 0.1% by weight in homogenous materials for lead, hexavalent chromium, and mercury, and 0.01% for cadmium, or qualify for an exemption to these limits as defined in the Annexes of Directive 2000/53/EC (ELV). Regarding the REACH Regulation, the information TE provides on SVHC in articles for this part number is based on the latest European Chemicals Agency (ECHA) 'Guidance on requirements for substances in articles' posted at this URL: <https://echa.europa.eu/guidance-documents/guidance-on-reach>

Compatible Parts

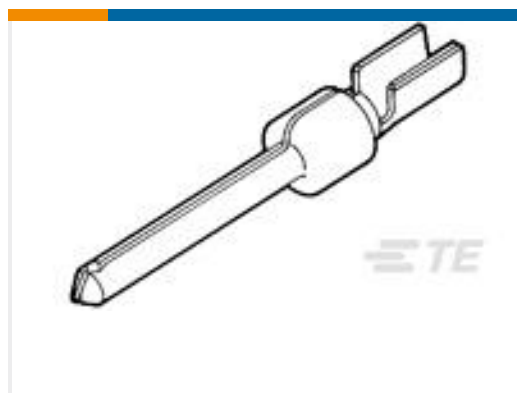


TE Part # CJ2087-000
[HL2010E-KIT-120V](#)

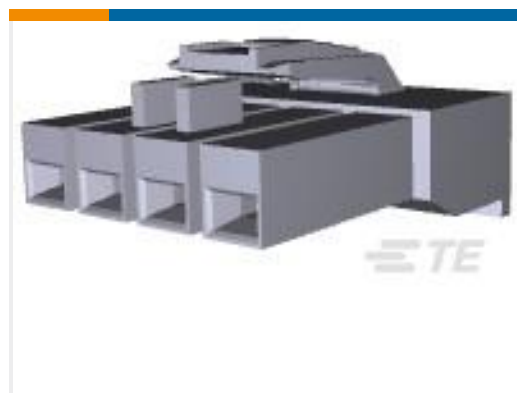
Customers Also Bought



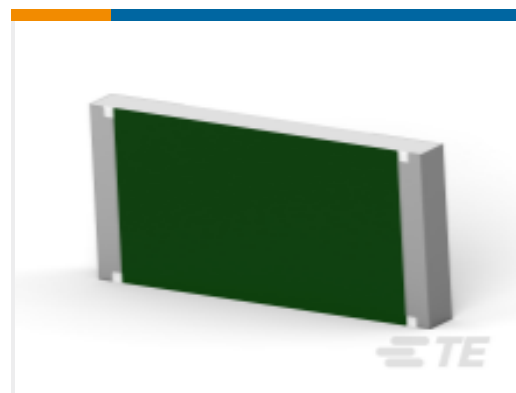
TE Part #66393-8
[TYPE III CONTACTS STRIP](#)



TE Part #205202-7
[PIN CONTACT L.P.](#)



TE Part #178481-1
[UP 3.96 4P PLUG HSG NATRL](#)



TE Part #7-2176403-7
[3550 1K5 1%](#)



TE Part #622001-000
[D-144-01](#)



TE Part #1-770250-0
[UMN II PIN SN/AUNI/BR LP20-14](#)



TE Part #Y22630-14-19PC0330
[HERM RECP](#)



TE Part #5-690504-9
[STRIP GUIDE REAR](#)

Documents

Product Drawings

[D-1744-01](#)

English

Datasheets & Catalog Pages

[Harness Repair Products Quick Reference Guide](#)

English

Product Specifications

[Product Specification](#)

English

[Installation Procedure for Products Designed for In-Line Splice Installed with Hot Air Gun](#)

English