

445726-1 ✓ ACTIVE

AMPLIMITE

TE Internal #: 445726-1

Box Mount D-Sub Connectors, Receptacle, Cable-to-Cable, 21
Position, Power/Signal/Coax Combination, Size 4, Socket, Size 20 /
8

[View on TE.com >](#)



Connectors > D-Shaped Connectors > D-Sub Connectors > Box Mount D-Sub Connectors



Connector & Housing Type: **Receptacle**

Connector System: **Cable-to-Cable**

Number of Positions: **21**

Power/Signal/Coax Combination: **Yes**

D-Sub Shell Size: **4**

Features

Product Type Features

Product Type	Connector
Connector & Housing Type	Receptacle
Connector System	Cable-to-Cable
D-Sub Shell Size	4
Sealable	No
Connector & Contact Terminates To	Wire & Cable
Blindmate	No

Configuration Features

Number of Positions	21
Power/Signal/Coax Combination	Yes

Body Features

Box Mount D-Sub Connector Insert Arrangement	21C4
Retention Clip Material	Stainless Steel
Shell Plating Material	Cadmium
Shell Material	Steel
Non-Magnetic	No

Contact Features

Contact Type	Socket
--------------	--------



D-Sub Contact Size	20, 8
--------------------	-------

Contact Current Rating (Max)	7.5 A, 32 A
------------------------------	-------------

Mechanical Attachment

Mounting Hole Diameter	3.05 mm[.12 in]
------------------------	-----------------

Housing Features

Centerline (Pitch)	2.77 mm[.109 in]
--------------------	------------------

Usage Conditions

Operating Temperature Range	-55 – 125 °C[-67 – 257 °F]
-----------------------------	----------------------------

Operation/Application

ULTRA-LITE Connector	No
----------------------	----

Circuit Application	Power & Signal
---------------------	----------------

Industry Standards

NASA Qualification	No
--------------------	----

Packaging Features

Packaging Method	Carton
------------------	--------

Other

Comment	Cable clamp/strain relief hardware cannot be used with these arrangements.
---------	--

Product Compliance

[For compliance documentation, visit the product page on TE.com>](#)

EU RoHS Directive 2011/65/EU	Not Compliant
------------------------------	---------------

EU ELV Directive 2000/53/EC	Not Compliant
-----------------------------	---------------

China RoHS 2 Directive MIIT Order No 32, 2016	Restricted Materials Above Threshold
---	--------------------------------------

EU REACH Regulation (EC) No. 1907/2006	<p>Current ECHA Candidate List: JUNE 2022 (224)</p> <p>Candidate List Declared Against: JUN 2020 (209)</p> <p>SVHC > Threshold:</p> <p>Cd (1.7%)</p>
--	---

Article Safe Usage Statements:

Use personal protective equipment as required. Do not eat, drink or smoke when using this product. Recycle if possible and dispose of the article by following all applicable governmental regulations relevant to your geographic location.

Halogen Content	Not Yet Reviewed for halogen content
-----------------	--------------------------------------

Solder Process Capability	Wave solder capable to 265°C
---------------------------	------------------------------

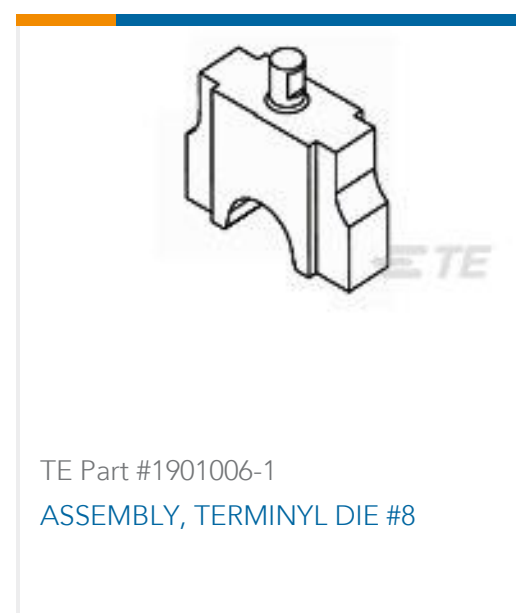
Product Compliance Disclaimer

This information is provided based on reasonable inquiry of our suppliers and represents our current actual knowledge based on the information they provided. This information is subject to change. The part numbers that TE has identified as EU RoHS compliant have a maximum concentration of 0.1% by weight in homogenous materials for lead, hexavalent chromium, mercury, PBB, PBDE, DBP, BBP, DEHP, DIBP, and 0.01% for cadmium, or qualify for an exemption to these limits as defined in the Annexes of Directive 2011/65/EU (RoHS2). Finished electrical and electronic equipment products will be CE marked as required by Directive 2011/65/EU. Components may not be CE marked. Additionally, the part numbers that TE has identified as EU ELV compliant have a maximum concentration of 0.1% by weight in homogenous materials for lead, hexavalent chromium, and mercury, and 0.01% for cadmium, or qualify for an exemption to these limits as defined in the Annexes of Directive 2000/53/EC (ELV). Regarding the REACH Regulation, the information TE provides on SVHC in articles for this part number is based on the latest European Chemicals Agency (ECHA) 'Guidance on requirements for substances in articles' posted at this URL: <https://echa.europa.eu/guidance-documents/guidance-on-reach>

Compatible Parts



Customers Also Bought



Documents

Product Drawings

RECEPT ASSY,21C4,AMPLIMITE

English

CAD Files



3D PDF

3D

Customer View Model

[ENG_CVM_CVM_445726-1_E.2d_dxf.zip](#)

English

Customer View Model

[ENG_CVM_CVM_445726-1_E.3d_igs.zip](#)

English

Customer View Model

[ENG_CVM_CVM_445726-1_E.3d_stp.zip](#)

English

By downloading the CAD file I accept and agree to the [Terms and Conditions](#) of use.