

445007-1 ✓ ACTIVE

AMPLIMITE

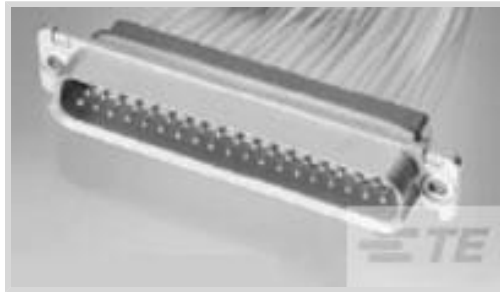
TE Internal #: 445007-1

Box Mount D-Sub Connectors, Plug, Cable-to-Cable, 25 Position, Size 3, Pin, Size 20, .109 in [2.77 mm] Centerline, Wire & Cable, Signal, Blindmate

[View on TE.com >](#)



Connectors > D-Shaped Connectors > D-Sub Connectors > Box Mount D-Sub Connectors



Connector & Housing Type: **Plug**

Connector System: **Cable-to-Cable**

Number of Positions: **25**

Power/Signal/Coax Combination: **No**

D-Sub Shell Size: **3**

Features

Product Type Features

Product Type	Connector
Connector & Housing Type	Plug
Connector System	Cable-to-Cable
D-Sub Shell Size	3
Sealable	No
Connector & Contact Terminates To	Wire & Cable
Blindmate	Yes

Configuration Features

Preloaded	Yes
Number of Positions	25
Power/Signal/Coax Combination	No

Body Features

Rear Shell Material	Steel
Shell Material	Aluminum Alloy, Steel
Front Shell Plating Finish	Yellow Chromate
Rear Shell Plating Material	Gold over Copper
Front Shell Plating Material	Cadmium
Retention Clip Material	Stainless Steel



Front Shell Material	Aluminum Alloy
Shell Plating Material	Cadmium
Non-Magnetic	No

Contact Features

Contact Type	Pin
D-Sub Contact Size	20
Contact Current Rating (Max)	7.5 A

Mechanical Attachment

Mounting Hole Diameter	3.05 mm [.12 in]
------------------------	------------------

Housing Features

Centerline (Pitch)	2.77 mm [.109 in]
--------------------	-------------------

Usage Conditions

Operating Temperature Range	-55 – 125 °C [-67 – 257 °F]
-----------------------------	-----------------------------

Operation/Application

ULTRA-LITE Connector	No
Circuit Application	Signal

Industry Standards

NASA Qualification	No
--------------------	----

Packaging Features

Packaging Method	Package
------------------	---------

Product Compliance

[For compliance documentation, visit the product page on TE.com>](#)

EU RoHS Directive 2011/65/EU	Not Compliant
EU ELV Directive 2000/53/EC	Not Compliant
China RoHS 2 Directive MIIT Order No 32, 2016	Restricted Materials Above Threshold
EU REACH Regulation (EC) No. 1907/2006	Current ECHA Candidate List: JUNE 2022 (224) Candidate List Declared Against: JUL 2019 (201) SVHC > Threshold: Cd (95% in Component Part) Pb (3.7% in Component Part) <small>Article Safe Usage Statements:</small>

Use personal protective equipment as required. Do not eat, drink or smoke when using this product. Wash thoroughly after handling. Recycle if possible and dispose of the article by following all applicable governmental regulations relevant to your geographic location.

Halogen Content

Not Low Halogen - contains Br or Cl > 900 ppm.

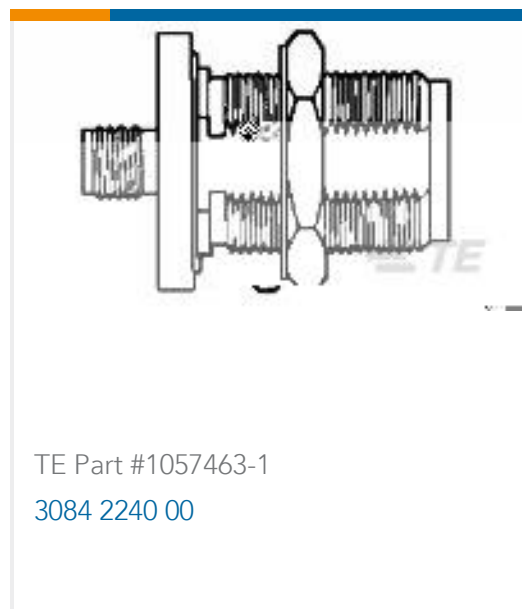
Solder Process Capability

Wave solder capable to 265°C

Product Compliance Disclaimer

This information is provided based on reasonable inquiry of our suppliers and represents our current actual knowledge based on the information they provided. This information is subject to change. The part numbers that TE has identified as EU RoHS compliant have a maximum concentration of 0.1% by weight in homogenous materials for lead, hexavalent chromium, mercury, PBB, PBDE, DBP, BBP, DEHP, DIBP, and 0.01% for cadmium, or qualify for an exemption to these limits as defined in the Annexes of Directive 2011/65/EU (RoHS2). Finished electrical and electronic equipment products will be CE marked as required by Directive 2011/65/EU. Components may not be CE marked. Additionally, the part numbers that TE has identified as EU ELV compliant have a maximum concentration of 0.1% by weight in homogenous materials for lead, hexavalent chromium, and mercury, and 0.01% for cadmium, or qualify for an exemption to these limits as defined in the Annexes of Directive 2000/53/EC (ELV). Regarding the REACH Regulation, the information TE provides on SVHC in articles for this part number is based on the latest European Chemicals Agency (ECHA) 'Guidance on requirements for substances in articles' posted at this URL: <https://echa.europa.eu/guidance-documents/guidance-on-reach>

Customers Also Bought



Documents

Product Drawings

PLUG ASSY,25 POSN,AMPLIMITE

English

CAD Files

3D PDF

3D

Customer View Model

[ENG_CVM_CVM_445007-1_T.2d_dxf.zip](#)

English

Customer View Model

[ENG_CVM_CVM_445007-1_T.3d_igs.zip](#)

English

Customer View Model

[ENG_CVM_CVM_445007-1_T.3d_stp.zip](#)

English

445007-1

Box Mount D-Sub Connectors, Plug, Cable-to-Cable, 25 Position, Size 3, Pin, Size 20, .109 in [2.77 mm] Centerline, Wire & Cable, Signal, Blindmate



By downloading the CAD file I accept and agree to the [Terms and Conditions](#) of use.