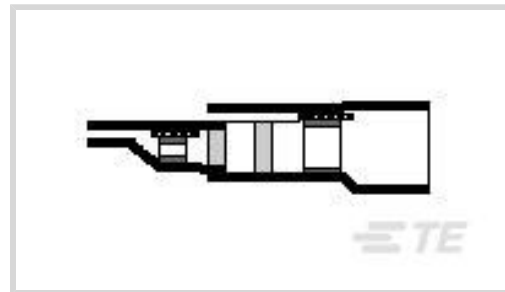




Wire Protection & Management > Interconnect Devices > Coax Cable Termination



Compatible Jacket Diameter Range: **4.4 mm [.173 in]**

Resistance Properties: **Splash Protection**

Coax Cable Termination Applies To: **Coaxial Cable**

Operating Temperature (Max): **150 °C**

Compatible Conductor Diameter Range: **.3 – 1.6 mm [.012 – .06 in]**

## Features

### Product Type Features

Coax Cable Termination Product Type	Coax Terminator
Temperature Indicator Type	No
Temperature Indicator	No
Coax Cable Termination Applies To	Coaxial Cable
Splice Type	Solder Sleeve

### Configuration Features

Pre-Installed Lead Type	55A0111
-------------------------	---------

### Body Features

Lead Color	White/Blue
Lead Plating Material	Tin
Lead Stranding	Stranded
Shield Plating Material	Silver, Tin

### Termination Features

Termination Method	Solder
--------------------	--------

### Dimensions

Pre-Installed Lead Wire Size	.61 mm <sup>2</sup>
Compatible Jacket Diameter Range	4.4 mm [.173 in]
Compatible Conductor Diameter Range	.3 – 1.6 mm [.012 – .06 in]



Compatible Dielectric Diameter Range	2.5 mm[.098 in]
Compatible Shield Diameter (Max)	2.8 mm[.11 in]
Overall Length	30 mm[1.181 in]

### Usage Conditions

Resistance Properties	Splash Protection
Operating Temperature (Max)	150 °C

### Industry Standards

MIL/NAS Specification (MIL-S-83519, NAS-1747)	No
Government Qualified	No

### Product Compliance

[For compliance documentation, visit the product page on TE.com>](#)

EU RoHS Directive 2011/65/EU	Not Compliant
EU ELV Directive 2000/53/EC	Not Compliant
China RoHS 2 Directive MIIT Order No 32, 2016	Restricted Materials Above Threshold
EU REACH Regulation (EC) No. 1907/2006	Current ECHA Candidate List: JAN 2022 (223) Candidate List Declared Against: JUL 2021 (219) SVHC > Threshold: Pb (37% in Solder) <b>Article Safe Usage Statements:</b> Do not eat, drink or smoke when using this product. Wash thoroughly after handling. Recycle if possible and dispose of the article by following all applicable governmental regulations relevant to your geographic location.
Halogen Content	Low Bromine/Chlorine - Br and Cl < 900 ppm per homogenous material. Also BFR /CFR/PVC Free
Solder Process Capability	Not applicable for solder process capability

#### Product Compliance Disclaimer

This information is provided based on reasonable inquiry of our suppliers and represents our current actual knowledge based on the information they provided. This information is subject to change. The part numbers that TE has identified as EU RoHS compliant have a maximum concentration of 0.1% by weight in homogenous materials for lead, hexavalent chromium, mercury, PBB, PBDE, DBP, BBP, DEHP, DIBP, and 0.01% for cadmium, or qualify for an exemption to these limits as defined in the Annexes of Directive 2011/65/EU (RoHS2). Finished electrical and electronic equipment products will be CE marked as required by Directive 2011/65/EU. Components may not be CE marked. Additionally, the part numbers that TE has identified as EU ELV compliant have a maximum concentration of 0.1% by weight in homogenous materials for lead, hexavalent chromium, and mercury, and 0.01% for cadmium, or qualify for an exemption to these limits as defined in the Annexes of Directive 2000/53/EC (ELV). Regarding the REACH Regulation, the information TE provides on SVHC in articles for this part number is based on the latest European Chemicals Agency (ECHA) 'Guidance on requirements for substances in articles' posted at this URL: <https://echa.europa.eu/guidance-documents/guidance-on-reach>

## Compatible Parts



TE Part # CJ2087-000  
HL2010E-KIT-120V

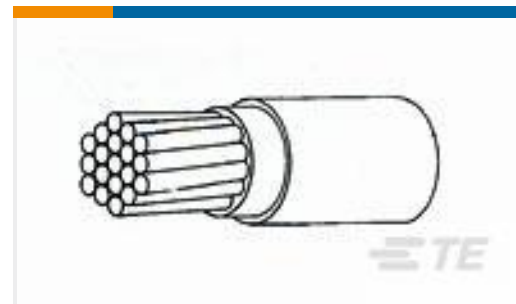
## Customers Also Bought



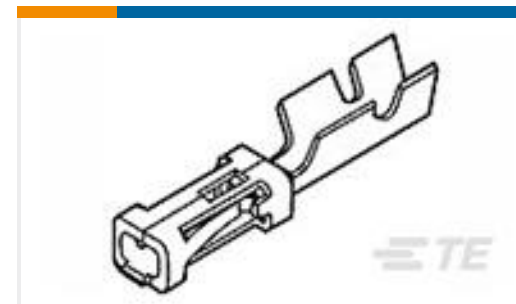
TE Part #D64130-000  
NT-MIL-1-0-SP



TE Part #CV3308-000  
RW-175-1-X-STK



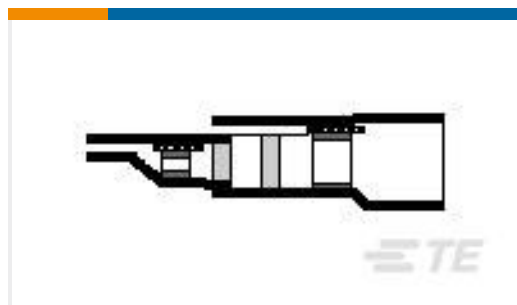
TE Part #3969273001  
VG-95218-T020-A016



TE Part #2-87195-5  
MOD IV RECP LP



TE Part #158357-000  
CWT-11-S



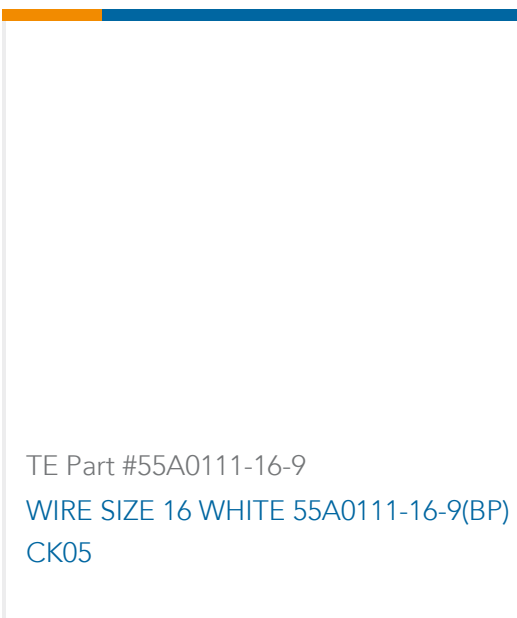
TE Part #443631-000  
B-040-30-N



TE Part #0484773001  
VG-95218-T020-A005



TE Part #NB17872001  
RW-175-1-X-STK



TE Part #55A0111-16-9  
WIRE SIZE 16 WHITE 55A0111-16-9(BP)  
CK05

## Documents

### Datasheets & Catalog Pages

[Raychem Electrical Interconnect Products](#)

English

### Product Specifications

[Product Specification](#)

English



[Coaxial SolderSleeve Termination with Pre-Installed Wires or PCB Termination Body, B-044, B-043, B-041, B-040, B-020, B-021, B-046 Series](#)

English