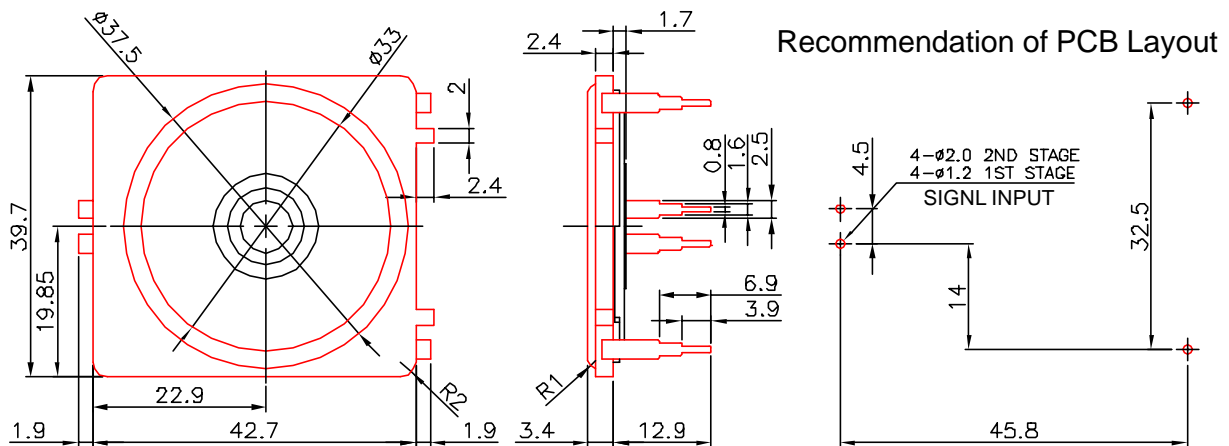


# VECO VANSONIC ENTERPRISE CO., LTD.

1.	<b>MODEL:</b>	<b>43CS08B2</b> -M75NA(Shining Mylar)
2.	Dimension	Outer Diameter <b>43x40</b> mm.    Baffle Opening <b>33</b> mm.
		Height <b>Refer to Drawing</b> .    Weight <b>7.8</b> Grams.
3.	Magnet	Materials <b>Rare Earth</b> .    Size $\phi$ <b>12.5 X 1.5</b> mm.
4.	Nominal Impedance	<b>8</b> $\pm$ <b>15</b> %    At <b>1200</b> Hz.
5.	Power Rating	Normal <b>200</b> mW.    Maximum <b>400</b> mW.
6.	Lowest Resonant Frequency	<b>550</b> $\pm$ <b>20</b> %    Hz.
7.	Output Sound Pressure Level (S.P.L.)	<b>78</b> $\pm$ <b>3</b> db / 0.2 Watt . 0.5 Meter.
		Average at <b>600, 800, 1000, 1200</b> Hz.
8.	Frequency Range	<b>300</b> ~ <b>7500</b> Hz.    Average S P L - 10 db.
9.	Distortion	<b>5</b> % Maximum At <b>1000</b> Hz. <b>200</b> mW.
10.	Abnormal Sound Test	Must Be Normal Test By <b>1.3</b> Volts.    Sine Wave.
11.	Load Test	White Noise With Weighted Filter <b>1.3</b> Volts.(RMS) <b>24</b> Hrs.
12.	Polarity	Diaphragm shall move Forward when Apply a Positive DC.
		Current to the "+" or "Marked" Terminal.



Unit : mm

Housing Material : PBT