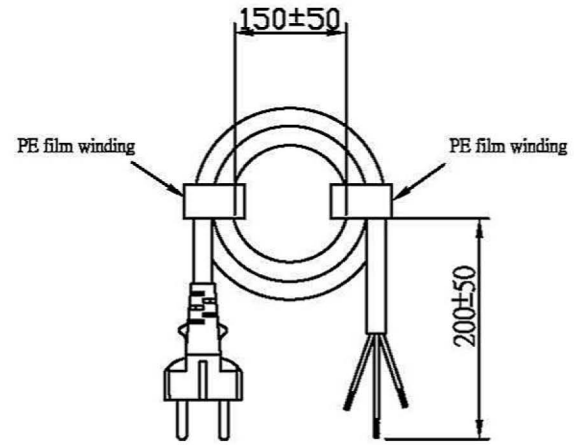
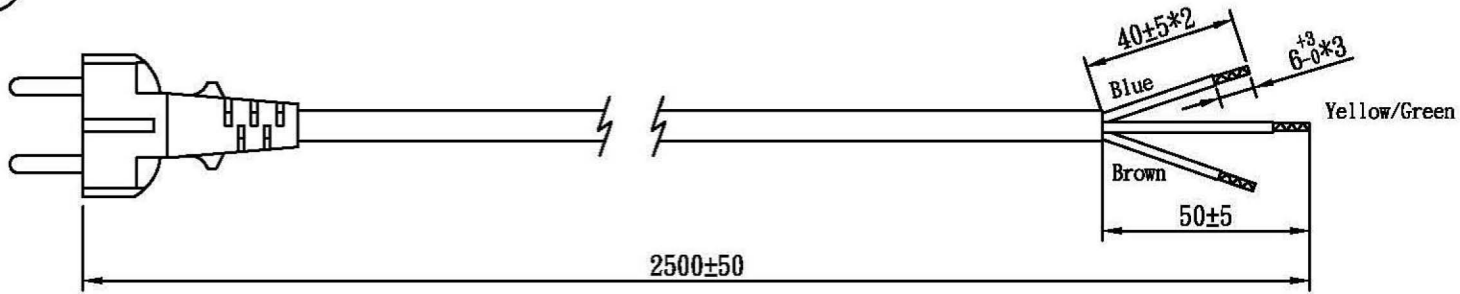
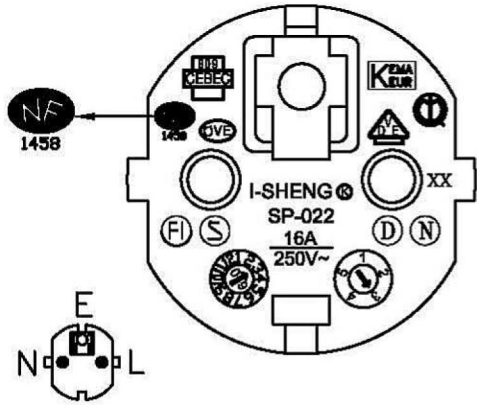


No	BOM ITEM	Q' TY	P/N
1	SP-023 INSERT	1 pcs	MB023012
2	PVC 50P (SP-022)	29.7 g	RPP05012
3	TERMINAL	3 pcs	BET92127
4	PE FILM	NA	



WIRING COLOR:
 E: Yellow/Green
 N: Blue
 L: Brown

LENGTH ON CORD:
 I-SHENG KSIS <VDE> H07RN-F 3G 1.5mm² Q051568 A041481 60245 IEC 66 (YCW) 450/750V

CABLE	H07RN-F 3G 1.5 CT-12(BLACK)			
PLUG	SP-022	LENGTH	2500	UNIT mm
CLIENT	NAME	Elfa Distrelec	N/W	UNIT kg
	P/N	43-526-66	KS DWG	SR-12090041-16 VER. A
Maxxtro [®]			Design. by	TESS
			Review. by	汪华高
			Approval. by	李俊裴
A22 ZE300R 12 250 00				