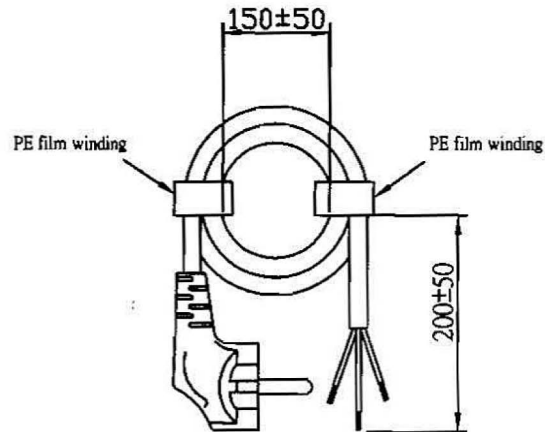
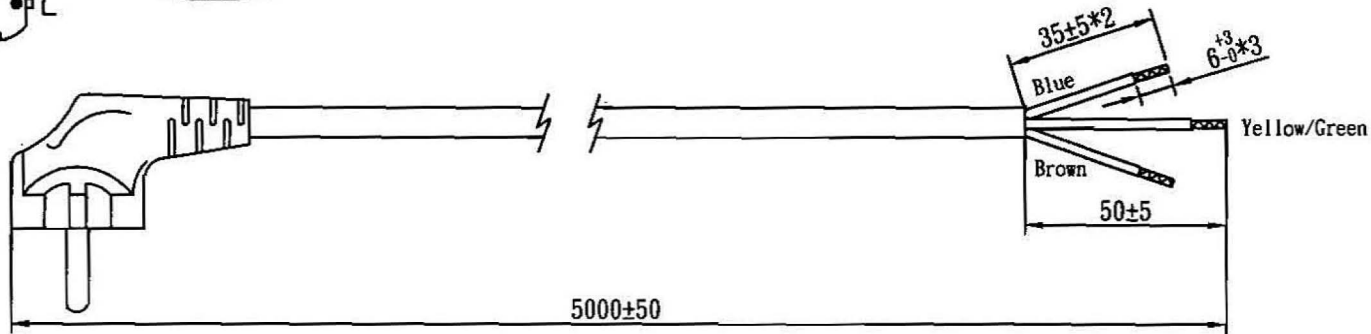
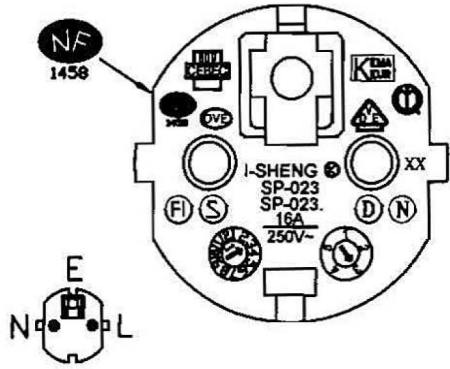


No	BOM ITEM	Q'TY	P/N
1	SP-023 INSERT	1 PCS	5B3023012E00
2	PVC 50P (SP-023)	45 g	51PTPE080008
3	TERMINAL	3 pcs	BET92127
4	PE FILM	NA	NA
5	CABLE	1 pcs	1123002105C32170080500



WIRING COLOR:  
E: Yellow/Green  
N: Blue  
L: Brown

LENGED ON CORD: (四字)

I-SHENG KSIS <VDE> Q090060 H05Z1Z1-F 3G 1.0mm<sup>2</sup> 300/500V

CABLE	H05Z1Z1-F 3G 1.0mm <sup>2</sup> CH-008				
PLUG	SP-023	LENGTH	5000	UNIT	mm
CLIENT	NAME	Elfa Distrelec	N/W	UNIT	kg
	P/N	43-526-64	KS DWG	SR-12090041-18	VER. A
<b>Maxxtro®</b>				Design. by	李润强
				Review. by	李俊强
				Approval. by	李俊强
112300		008 0500		00E	