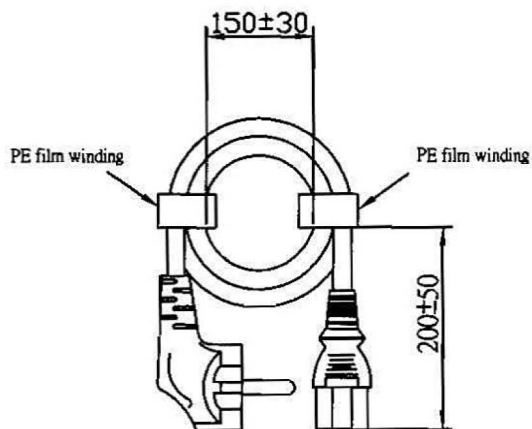
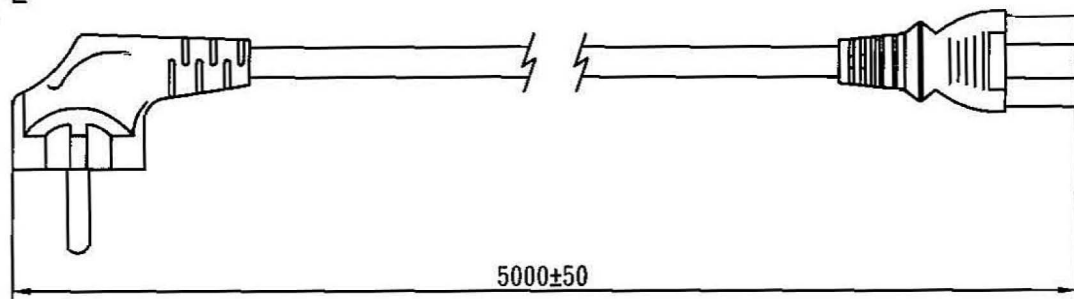
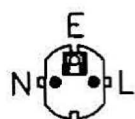


No	BOM ITEM	Q'TY	P/N
1	SP-023 INSERT	1 PCS	MB023012
2	PVC 50P (SP-023)	45 g	RPP05012
3	KPR-14 BLADE	3 pcs	BBB14000
4	IS-14 INNER BODY	1 pcs	MI014000
5	PVC 50P (IS-14)	14.3 g	RPP05012
6	PE FILM	NA	



WIRING COLOR:  
 E: Yellow/Green  
 N: Blue  
 L: Brown

LENGED ON CORD: (凹字)

I-SHENG KSIS <VDE> KEMA-KEUR <VDE> △CEBEC 809  
 NF-USE 1353 IEMMEQU H05VV-F 3G 1.0mm<sup>2</sup> 60227 IEC 53 RVV 300/500V  
 3ASL/100 4V-75 V-75(75°C) 250/440V ORDINARY DUTY Q90033 -LF- CE

CABLE	H05VV-F 3G 1.0 DENT PRINT CT-12 (BLACK)			
PLUG	SP-023 + IS-14	LENGTH	4980	UNIT mm
CLIENT	NAME	Elfa Distrelec	N/W	UNIT kg
	P/N	43-526-37	KS DWG	SR-12090041-20 VER. A
<b>Maxxtro®</b>				Design. by
				Review. by
				Approval. by
Y34 6C3016 12 500 00				