

42899-2 ✓ ACTIVE

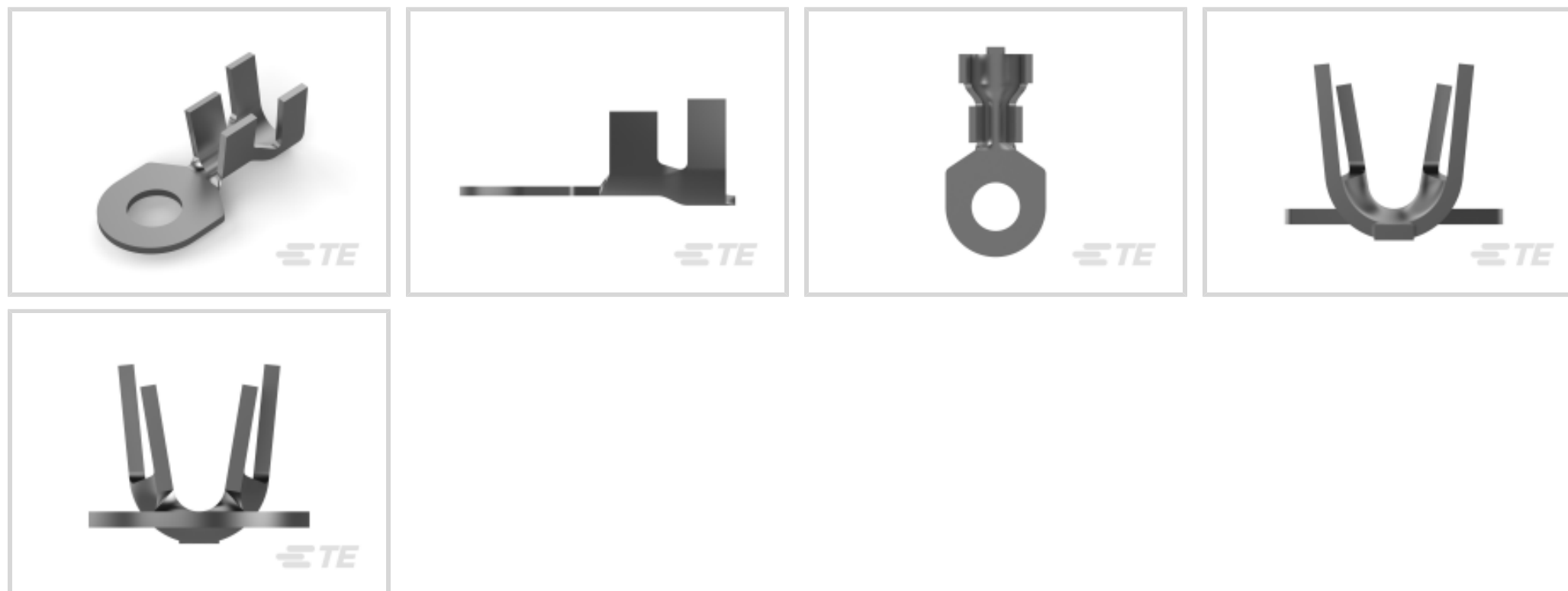
TE Internal #: 42899-2

Ring Terminals & Spade Terminals, Ring Tongue, 10 – 6 AWG Wire Size, 5 – 15 mm² Wire Size, 10382 – 26248 CMA Wire Size, Stud Size M6

[View on TE.com >](#)



Terminals & Splices > Ring Terminals & Spade Terminals



Ring & Spade Terminal Type: **Ring Tongue**

Wire Size: **10382 – 26248 CMA**

Stud Size: **M6**

Features

Product Type Features

Shape Description	D Shaped
Stud Size	M6
Sealable	No
Compatible With Discrete Wire Type	Stranded
Wire Insulation Support Retention Type	Insulation Support

Configuration Features

Number of Holes	1
Terminal Angle	180 °

Body Features

Weight per Piece	3.234 g
------------------	---------

Contact Features

Contact Base Material	Brass
Ring & Spade Terminal Type	Ring Tongue
Barrel Type	Open
Terminal Orientation	Straight
Terminal Plating Material	Tin



Contact Underplating Material	None
-------------------------------	------

Mechanical Attachment

Wire Insulation Support	With
-------------------------	------

Dimensions

	.22 in
Wire Size	10382 – 26248 CMA
Stud Diameter	6.73 mm[.26 in]
Tongue Thickness	1.02 mm[.04 in]
Overall Product Length	28.19 mm[1.11 in]
Barrel Inside Diameter	3.3 mm, 6.85 mm[.13 in][.27 in]
Accepts Wire Insulation Diameter (Max)	8 mm[.315 in]
Accepts Wire Insulation Diameter Range	5.59 – 8 mm[.22 – .315 in]

Usage Conditions

Insulation Requirement	Uninsulated
Operating Temperature Range	110 °C[230 °F]

Operation/Application

Compatible With Wire Base Material	Copper
Heavy Duty	No

Industry Standards

Government Qualified	No
----------------------	----

Packaging Features

Packaging Quantity	1500
Packaging Method	Strip/Reel

Product Compliance

[For compliance documentation, visit the product page on TE.com>](#)

EU RoHS Directive 2011/65/EU	Compliant
EU ELV Directive 2000/53/EC	Compliant
China RoHS 2 Directive MIIT Order No 32, 2016	No Restricted Materials Above Threshold
EU REACH Regulation (EC) No. 1907/2006	Current ECHA Candidate List: JAN 2022 (223) Candidate List Declared Against: JAN 2022 (223)

Does not contain REACH SVHC

Halogen Content

Low Halogen - Br, Cl, F, I < 900 ppm per homogenous material. Also BFR/CFR/PVC Free

Solder Process Capability

Not applicable for solder process capability

Product Compliance Disclaimer

This information is provided based on reasonable inquiry of our suppliers and represents our current actual knowledge based on the information they provided. This information is subject to change. The part numbers that TE has identified as EU RoHS compliant have a maximum concentration of 0.1% by weight in homogenous materials for lead, hexavalent chromium, mercury, PBB, PBDE, DBP, BBP, DEHP, DIBP, and 0.01% for cadmium, or qualify for an exemption to these limits as defined in the Annexes of Directive 2011/65/EU (RoHS2). Finished electrical and electronic equipment products will be CE marked as required by Directive 2011/65/EU. Components may not be CE marked. Additionally, the part numbers that TE has identified as EU ELV compliant have a maximum concentration of 0.1% by weight in homogenous materials for lead, hexavalent chromium, and mercury, and 0.01% for cadmium, or qualify for an exemption to these limits as defined in the Annexes of Directive 2000/53/EC (ELV). Regarding the REACH Regulation, the information TE provides on SVHC in articles for this part number is based on the latest European Chemicals Agency (ECHA) 'Guidance on requirements for substances in articles' posted at this URL: <https://echa.europa.eu/guidance-documents/guidance-on-reach>

Compatible Parts



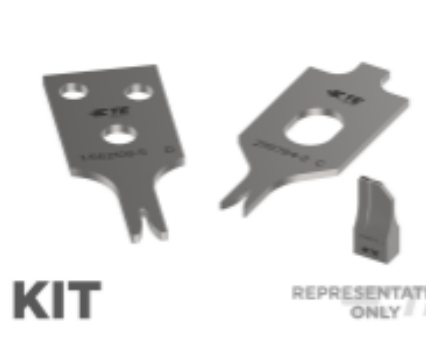
TE Part # 2-2150472-2
OCEAN_2.0_APPLICATOR-E-250F375O



TE Part # 2150472-2
OCEAN_2.0_APPLICATOR-E-250F375O

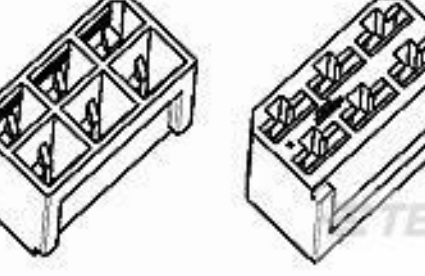


TE Part # 7-2150472-2
OCEAN_2.0_APPLICATOR-E-250F375O



TE Part # 7-2150472-7
OCEAN_2.0_SPARE_PART_KIT-250F375O

Customers Also Bought



TE Part #1-480281-0
FF 250 REC HSG 6P NYLON BLACK



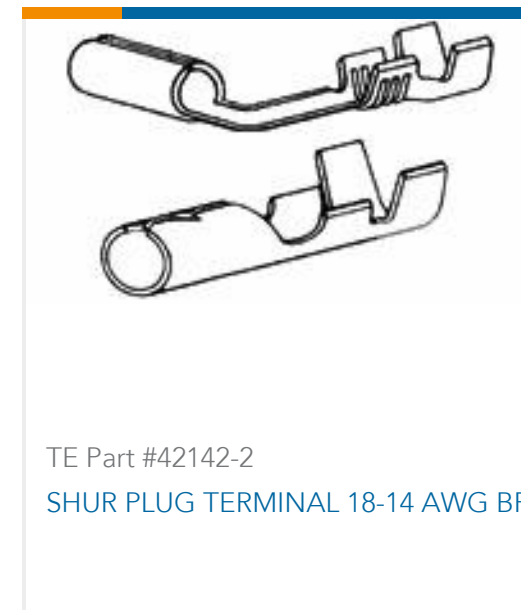
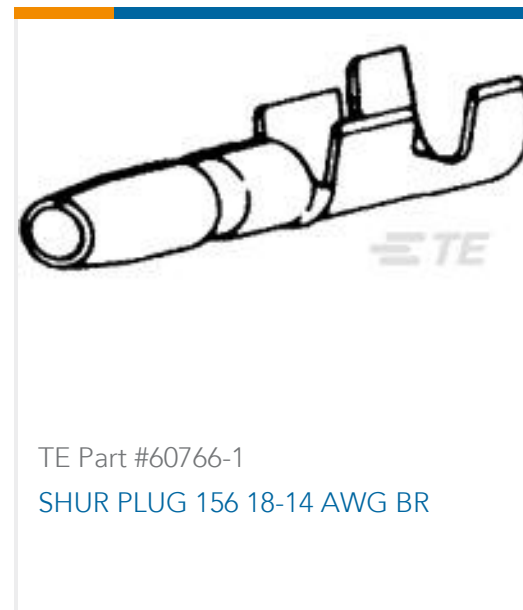
TE Part #2-34173-1
TERMINAL,PG R 12-10 3/8



TE Part #170889-2
SLEEVE DIA3 SHUR PLUG NAT



TE Part #170887-3
IS SHUR PLG 5 DIA NAT



Documents

Product Drawings

RING TONGUE 10-6 AWG TPBR

English

CAD Files

3D PDF

3D

Customer View Model

[ENG_CVM_CVM_42899-2_AD_c-42899-2-ad.2d_dxf.zip](#)

English

Customer View Model

[ENG_CVM_CVM_42899-2_AD_c-42899-2-ad.3d_igs.zip](#)

English

Customer View Model

[ENG_CVM_CVM_42899-2_AD_c-42899-2-ad.3d_stp.zip](#)

English

By downloading the CAD file I accept and agree to the [Terms and Conditions](#) of use.

Product Specifications

Application Specification

English

[ER**Sertissage des Cosses Ref 42899 et 42913](#)

English

Product Environmental Compliance

[MD_42899-2_09142017101_dmtec](#)

English



[MD_42899-2_09142017101_dmtec](#)

English

[Agency Approvals](#)

[Agency Approval Document](#)

English