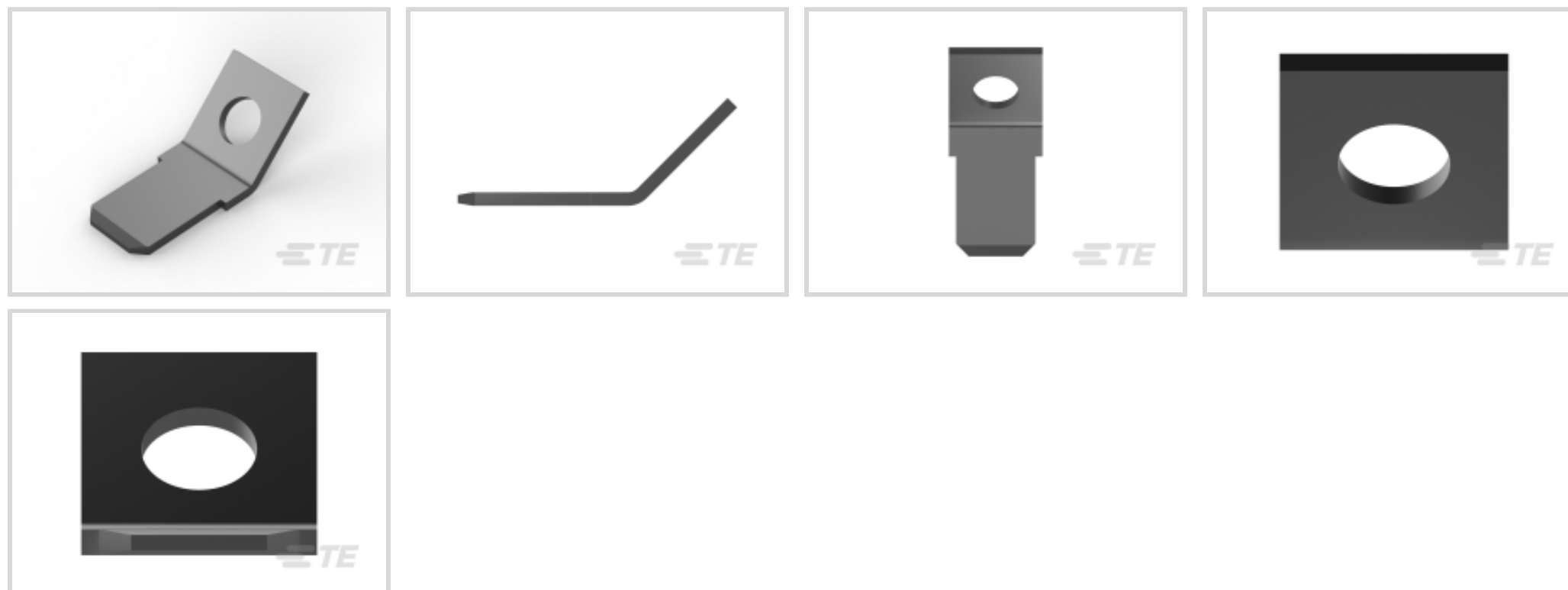




Terminals & Splices > PCB Terminals



PCB Terminal Type: **Tab**

Mating Tab Width: **6.35 mm [.25 in]**

Mating Tab Thickness: **.81 mm [.032 in]**

PCB Hole Diameter: **2.46 mm [.097 in]**

Termination Method to Printed Circuit Board: **Through Hole - Screw**

Features

Product Type Features

Insertion Force	Low
PCB Terminal Mounting Style	Stud Mount

Configuration Features

Stud Hole	Yes
Terminal Angle	45 °

Body Features

	40 μin
--	--------

Contact Features

PCB Terminal Type	Tab
Mating Tab Width	6.35 mm [.25 in]
Mating Tab Thickness	.81 mm [.032 in]
Terminal Plating Material	Tin
Contact Underplating Material	Brass
Terminal Size	6.35



Terminal Orientation	45 Bend
----------------------	---------

Termination Features

Termination Method to Printed Circuit Board	Through Hole - Screw
Product Terminates To	Printed Circuit Board

Dimensions

Receptacle Terminal Stock Thickness	.78 mm[.031 in]
Stud Diameter	3.68 mm[.145 in]
PCB Hole Diameter	2.46 mm[.097 in]

Usage Conditions

Insulation Requirement	Uninsulated
Operating Temperature Range	-30 – 110 °C[-22 – 230 °F]

Packaging Features

Packaging Quantity	1000
Packaging Method	Bag

Product Compliance

[For compliance documentation, visit the product page on TE.com>](#)

EU RoHS Directive 2011/65/EU	Compliant
EU ELV Directive 2000/53/EC	Compliant
China RoHS 2 Directive MIIT Order No 32, 2016	No Restricted Materials Above Threshold
EU REACH Regulation (EC) No. 1907/2006	Current ECHA Candidate List: JAN 2022 (223) Candidate List Declared Against: JAN 2022 (223) Does not contain REACH SVHC
Halogen Content	Low Halogen - Br, Cl, F, I < 900 ppm per homogenous material. Also BFR/CFR/PVC Free
Solder Process Capability	Not applicable for solder process capability

Product Compliance Disclaimer

This information is provided based on reasonable inquiry of our suppliers and represents our current actual knowledge based on the information they provided. This information is subject to change. The part numbers that TE has identified as EU RoHS compliant have a maximum concentration of 0.1% by weight in homogenous materials for lead, hexavalent chromium, mercury, PBB, PBDE, DBP, BBP, DEHP, DIBP, and 0.01% for cadmium, or qualify for an exemption to these limits as defined in the Annexes of Directive 2011/65/EU (RoHS2). Finished electrical and electronic equipment products will be CE marked as required by Directive 2011/65/EU. Components may not be CE marked. Additionally, the part numbers that TE has identified as EU ELV compliant have a maximum concentration of 0.1% by weight in homogenous

materials for lead, hexavalent chromium, and mercury, and 0.01% for cadmium, or qualify for an exemption to these limits as defined in the Annexes of Directive 2000/53/EC (ELV). Regarding the REACH Regulation, the information TE provides on SVHC in articles for this part number is based on the latest European Chemicals Agency (ECHA) 'Guidance on requirements for substances in articles' posted at this URL: <https://echa.europa.eu/guidance-documents/guidance-on-reach>

Compatible Parts



TE Part # 140814-2
250 FASTON,TAB,TPBR



TE Part # 42214-2
250 FASTON TAB TPBR



TE Part # 60080-2
250 FASTON TAB TPBR



TE Part # 1217558-2
250 FASTON,TAB,TPBR



TE Part # 1217050-1
187 FASTON,TAB,TPBR



TE Part # 62628-2
110 FASTON TAB BR



TE Part # 42214-1
250 FASTON TAB BR



TE Part # 60465-2
250 FASTON TAB TPBR



TE Part # 42822-2
250 FASTON TAB TPBR



TE Part # 140598
250 FASTON,TAB,TPBR



TE Part # 140759
250 FASTON,TAB,TPBR



TE Part # 62628-1
100 FASTON TAB TPST



TE Part # 140734-2
250 FASTON,TAB,TPBR



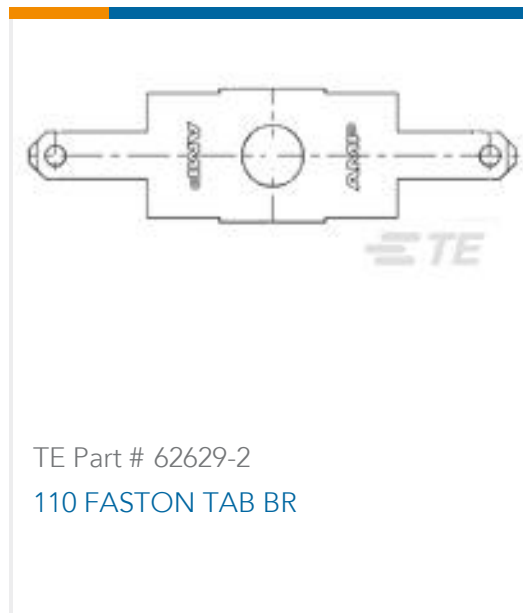
TE Part # 62162-1
187 FASTON TAB TPBR



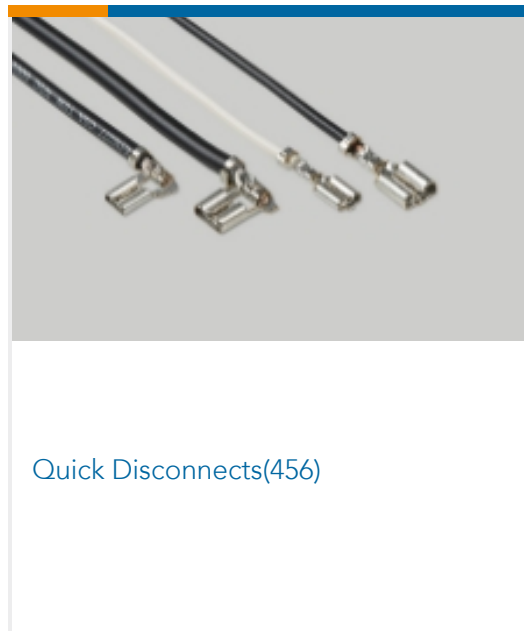
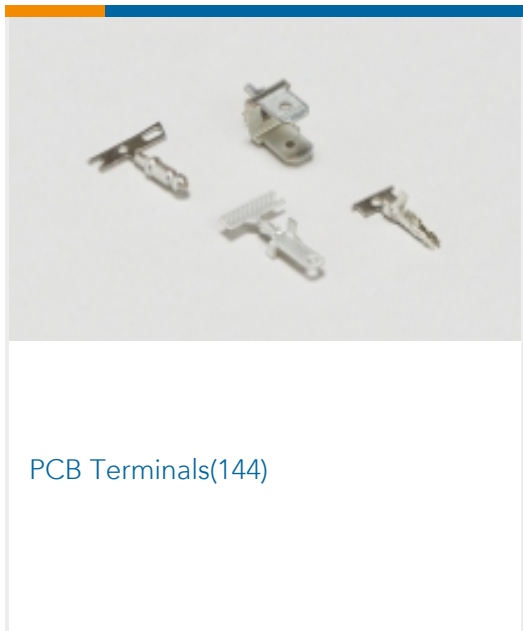
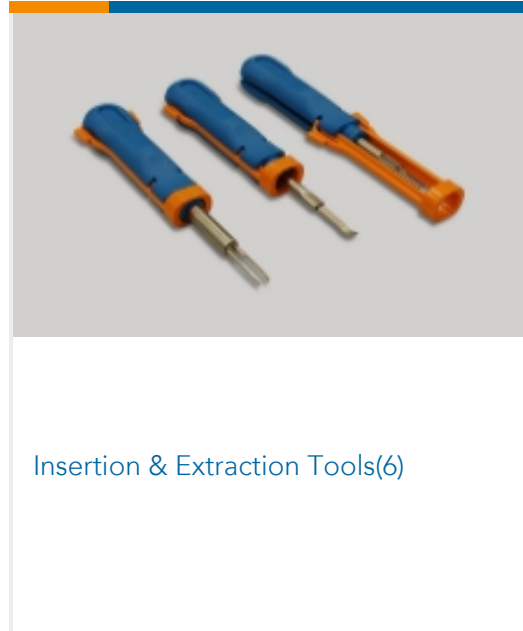
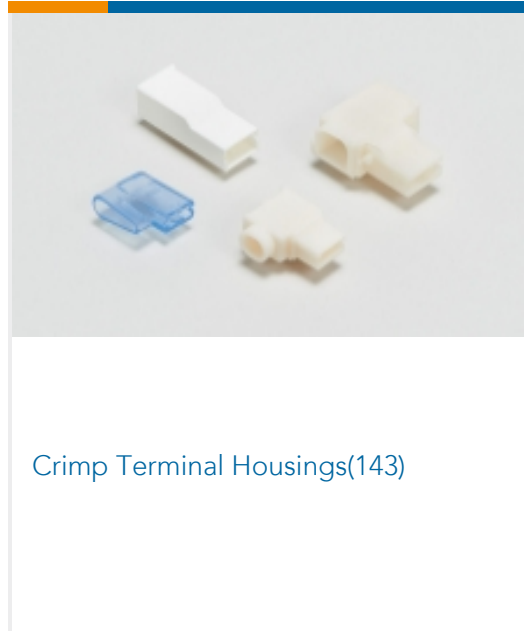
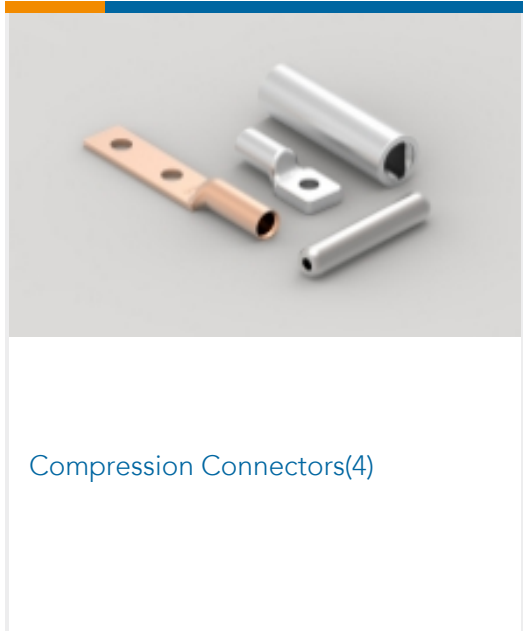
TE Part # 140660
250 FASTON,TAB,TPBR



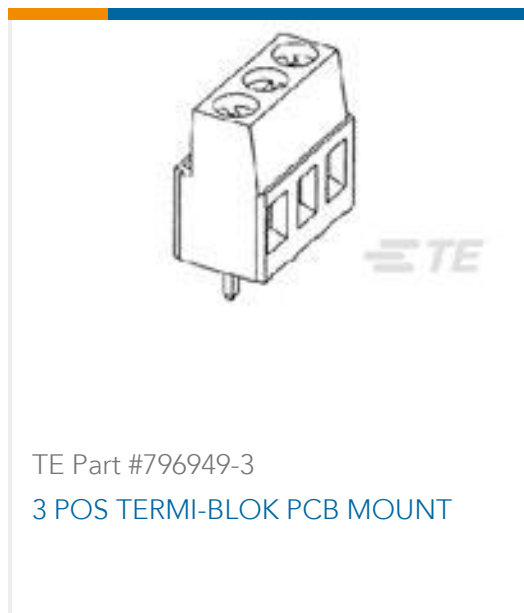
TE Part # 140734-1
250 FASTON,TAB,BR



Also in the Series | **FASTON 250**



Customers Also Bought





Documents

Product Drawings

250 FASTON TAB TPBR

English

CAD Files

Customer View Model

[ENG_CVM_CVM_42822-4_AF.2d_dxf.zip](#)

English

3D PDF

3D

Customer View Model

[ENG_CVM_CVM_42822-4_AF.3d_igs.zip](#)

English

Customer View Model

[ENG_CVM_CVM_42822-4_AF.3d_stp.zip](#)

English

By downloading the CAD file I accept and agree to the [Terms and Conditions](#) of use.

Datasheets & Catalog Pages

FASTON Tabs

English

Product Specifications

Application Specification

English

Product Environmental Compliance

[MD_42822-4_0809201814_dmtec](#)

English

[MD_42822-4_0809201814_dmtec](#)

English

Agency Approvals

UL Report

English