

42563-2 ✓ ACTIVE

FASTON | FASTON 250

TE Internal #: 42563-2

FASTON 250, Quick Disconnects, Receptacle, 12 – 10 AWG Wire Size, 3.31 – 5.26 mm² Wire Size, Mating Tab Width .25 in [6.35 mm], Flag, Brass

[View on TE.com >](#)



Terminals & Splices > Quick Disconnects



Quick Disconnect Terminal Type: **Receptacle**

Wire Size: **3.31 – 5.26 mm²**

Mating Tab Width: **6.35 mm [.25 in]**

Mating Tab Thickness: **.81 mm [.032 in]**

Features

Product Type Features

Terminates To	Wire & Cable
Wire/Cable Type	Regular Wire
Wire Stop	No
Insertion Force	Normal
Sealable	No

Configuration Features

Connection Capacity	Single
---------------------	--------

Contact Features

Quick Disconnect Terminal Type	Receptacle
Mating Tab Width	6.35 mm[.25 in]
Mating Tab Thickness	.81 mm[.032 in]
Terminal Orientation	Flag
Contact Base Material	Brass
Terminal Plating Material	Tin
Crimp Type	Tab-Lok



Barrel Type	Open
-------------	------

Mechanical Attachment

Mating Retention Type	Dimple
	.04 in

Extraction Force	24.5 Newton
------------------	-------------

Wire Insulation Support	With
-------------------------	------

Dimensions

Accepts Wire Insulation Diameter Range	2.79 – 5.33 mm [.11 – .21 in]
--	-------------------------------

Receptacle Terminal Stock Thickness	.41 mm [.016 in]
-------------------------------------	------------------

Overall Length	17.02 mm [.67 in]
----------------	-------------------

Wire Size	3.31 – 5.26 mm ²
-----------	-----------------------------

Usage Conditions

Insulation Requirement	Uninsulated
------------------------	-------------

Operating Temperature Range	-40 – 110 °C [-40 – 230 °F]
-----------------------------	-----------------------------

Industry Standards

CSA Certified	Yes
---------------	-----

UL Rating	Listed
-----------	--------

Packaging Features

Packaging Quantity	4000
--------------------	------

Packaging Method	Strip/Reel
------------------	------------

Other

Line	Premier
------	---------

Product Compliance

[For compliance documentation, visit the product page on TE.com>](#)

EU RoHS Directive 2011/65/EU	Compliant
------------------------------	-----------

EU ELV Directive 2000/53/EC	Compliant
-----------------------------	-----------

China RoHS 2 Directive MIIT Order No 32, 2016	No Restricted Materials Above Threshold
---	---

EU REACH Regulation (EC) No. 1907/2006	Current ECHA Candidate List: JAN 2022 (223) Candidate List Declared Against: JAN 2022 (223) Does not contain REACH SVHC
--	---

Halogen Content

Low Halogen - Br, Cl, F, I < 900 ppm per homogenous material. Also BFR/CFR/PVC Free

Solder Process Capability

Not applicable for solder process capability

Product Compliance Disclaimer

This information is provided based on reasonable inquiry of our suppliers and represents our current actual knowledge based on the information they provided. This information is subject to change. The part numbers that TE has identified as EU RoHS compliant have a maximum concentration of 0.1% by weight in homogenous materials for lead, hexavalent chromium, mercury, PBB, PBDE, DBP, BBP, DEHP, DIBP, and 0.01% for cadmium, or qualify for an exemption to these limits as defined in the Annexes of Directive 2011/65/EU (RoHS2). Finished electrical and electronic equipment products will be CE marked as required by Directive 2011/65/EU. Components may not be CE marked. Additionally, the part numbers that TE has identified as EU ELV compliant have a maximum concentration of 0.1% by weight in homogenous materials for lead, hexavalent chromium, and mercury, and 0.01% for cadmium, or qualify for an exemption to these limits as defined in the Annexes of Directive 2000/53/EC (ELV). Regarding the REACH Regulation, the information TE provides on SVHC in articles for this part number is based on the latest European Chemicals Agency (ECHA) 'Guidance on requirements for substances in articles' posted at this URL: <https://echa.europa.eu/guidance-documents/guidance-on-reach>

Compatible Parts



TE Part # 62056-4
250 FASTON FLAG REC 18-12 AWG
TPBR



TE Part # 61187-1
250 FASTON FLAG REC 12-10 AWG
PHBZ



TE Part # 62056-3
250 FASTON FLAG REC 18-12 AWG
TPBR



TE Part # 63617-1
250 FASTON FLAG REC 12-10 AWG
BR



TE Part # 1855521-1
HDM/FA/HB EMPO200TL220O LM
CUT



TE Part # 687388-6
MHB 9EAPR200T220O G



TE Part # 687389-4
M HBEAPR200T220OK



TE Part # 687389-6
HDM HB 9EMPR200T220O G



TE Part # 565505-2
STD HBEMPR200T220OK



TE Part # 687388-5
M HBEAPR200T220OK



TE Part # 687389-1
M HBEMPO200T220OT

Also in the Series | **FASTON 250**



Compression Connectors(4)



Crimp Terminal Housings(143)



Insertion & Extraction Tools(6)



Magnet Wire Terminals(1)



PCB Terminals(144)



Quick Disconnects(456)



Splices(4)

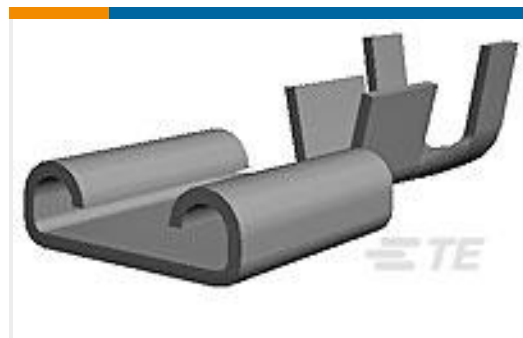
Customers Also Bought



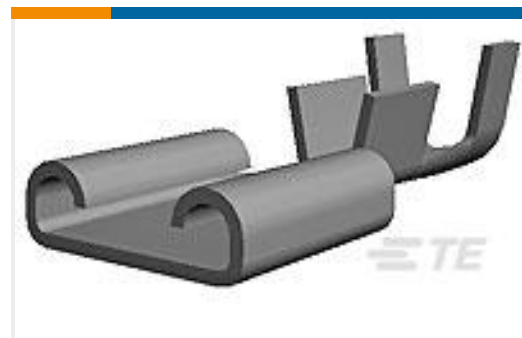
TE Part #1-353908-6
CT REC HSG 16P CRIMP TYPE WHIT



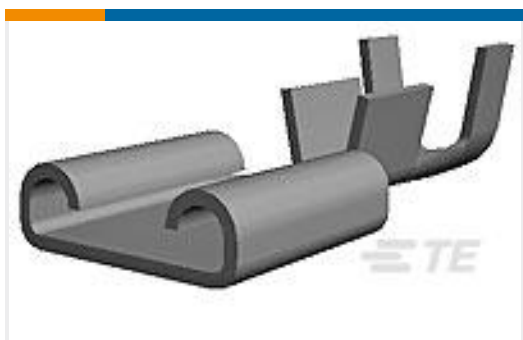
TE Part #1376477-6
2.5MM PITCH SIGNAL MATE CONN



TE Part #170183-1
250 FASTON,REC.,22-18 AWG,BR



TE Part #170183-2
250 FASTON,REC.,22-18 AWG,TPBR



TE Part #170224-2
250 FASTON,REC.,16-10 AWG,BR



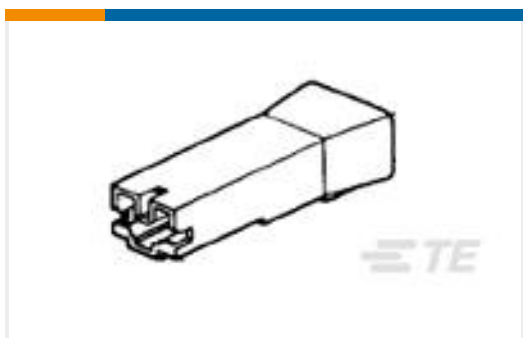
TE Part #170213-2
250 FASTON,REC.,18-14 AWG,TPBR



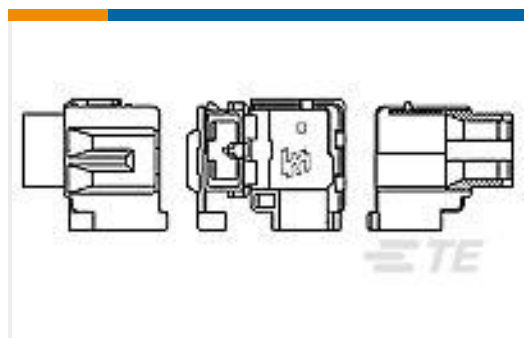
TE Part #41802
250 FASTON FLAG REC 18-12 AWG TPBR



TE Part #1-1376477-6
2.5MM PITCH SIGNAL MATE CONN



TE Part #177627-1
PL .250 (6.3 MM) HOUSING RECEPTACLE



TE Part #2013799-1
250 HSG. PL EX REC. BLACK

Documents



Product Drawings

250 FASTON FLAG REC 12-10 AWG TPBR

English

CAD Files

3D PDF

3D

Customer View Model

[ENG_CVM_CVM_42563-2_DA.2d_dxf.zip](#)

English

Customer View Model

[ENG_CVM_CVM_42563-2_DA.3d_igs.zip](#)

English

Customer View Model

[ENG_CVM_CVM_42563-2_DA.3d_stp.zip](#)

English

By downloading the CAD file I accept and agree to the [Terms and Conditions](#) of use.

Product Specifications

Engineering Report

English

Product Environmental Compliance

[MD_42563-2_08202018135_dmtec](#)

English

[MD_42563-2_08202018135_dmtec](#)

English

Agency Approvals

UL Report

English

UL Report

English