

STD06Y-X ✓ ACTIVE

Agastat 7000

TE Internal #: 424858-000

Agastat 7000, Pre-Printed Markers, Snap-On, STD 06 Marker Size, Yellow, Straight Cut, X Printed Marking, Black, Polyoxymethylene

[View on TE.com >](#)



Identification & Labeling > Pre-Printed Markers > STD SNAP-ON MARKERS



Marker Style: **Snap-On**

Marker Size: **STD 06**

Compatible Cable Diameter Range: **2.6 – 3.5 mm [.102 – .138 in]**

Primary Product Color: **Yellow**

Marker Cut: **Straight**

[All STD SNAP-ON MARKERS \(881\)](#)

Features

Body Features

| | |
|--------------------------|------------------|
| Marker Style | Snap-On |
| Marker Size | STD 06 |
| Primary Product Color | Yellow |
| Primary Product Material | Polyoxymethylene |

Dimensions

| | |
|---------------------------------|-------------------------------|
| Compatible Cable Diameter Range | 2.6 – 3.5 mm [.102 – .138 in] |
|---------------------------------|-------------------------------|

Printer/Label Features

| | |
|-----------------|----------|
| Marker Cut | Straight |
| Printed Marking | X |

Packaging Features

| | |
|--------------------|-------|
| Packaging Method | Strip |
| Packaging Quantity | 300 |

Other

| | |
|-----------------------|-------|
| Printed Marking Color | Black |
|-----------------------|-------|

Product Compliance

[For compliance documentation, visit the product page on TE.com>](#)



| | |
|---|---|
| EU RoHS Directive 2011/65/EU | Compliant |
| EU ELV Directive 2000/53/EC | Compliant |
| China RoHS 2 Directive MIIT Order No 32, 2016 | No Restricted Materials Above Threshold |
| EU REACH Regulation (EC) No. 1907/2006 | Current ECHA Candidate List: JAN 2022 (223) Candidate List Declared Against: JAN 2022 (223) Does not contain REACH SVHC |
| Halogen Content | Low Halogen - Br, Cl, F, I < 900 ppm per homogenous material. Also BFR/CFR/PVC Free |
| Solder Process Capability | Not applicable for solder process capability |

Product Compliance Disclaimer

This information is provided based on reasonable inquiry of our suppliers and represents our current actual knowledge based on the information they provided. This information is subject to change. The part numbers that TE has identified as EU RoHS compliant have a maximum concentration of 0.1% by weight in homogenous materials for lead, hexavalent chromium, mercury, PBB, PBDE, DBP, BBP, DEHP, DIBP, and 0.01% for cadmium, or qualify for an exemption to these limits as defined in the Annexes of Directive 2011/65/EU (RoHS2). Finished electrical and electronic equipment products will be CE marked as required by Directive 2011/65/EU. Components may not be CE marked. Additionally, the part numbers that TE has identified as EU ELV compliant have a maximum concentration of 0.1% by weight in homogenous materials for lead, hexavalent chromium, and mercury, and 0.01% for cadmium, or qualify for an exemption to these limits as defined in the Annexes of Directive 2000/53/EC (ELV). Regarding the REACH Regulation, the information TE provides on SVHC in articles for this part number is based on the latest European Chemicals Agency (ECHA) 'Guidance on requirements for substances in articles' posted at this URL: <https://echa.europa.eu/guidance-documents/guidance-on-reach>

Compatible Parts



TE Part # 001308-000
STD06Y-L

Also in the Series | **Agastat 7000**



Pre-Printed Markers(895)

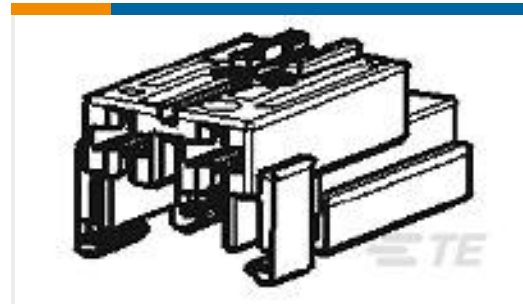


Time Delay Relays(176)

Customers Also Bought



TE Part #1658608-3
15 POS HDF PLUG, MS, LEAD FREE



TE Part #968182-1
JPT/MT3 BU-GEH 4P



TE Part #1-1768042-0
STD SNAP-ON MARKERS

Documents

Product Drawings

[STD06Y-X](#)

English

Datasheets & Catalog Pages

[STD/STB-type Snap-on Pre-printed Wire & Cable Markers](#)

English

[IDENTIFICATION SELECTION GUIDE](#)

English

[STD and STB Technical Datasheet](#)

English

Product Specifications

[RW-2538 STD and STB work instruction](#)

English