

42474-4 ✓ ACTIVE

FASTON | FASTON 250

TE Internal #: 42474-4

FASTON 250, Quick Disconnects, Tab, 18 – 14 AWG Wire Size, .82 – 2.08 mm² Wire Size, Mating Tab Width .25 in [6.35 mm], Straight, Brass, Tin Plating

[View on TE.com >](#)



Terminals & Splices > Quick Disconnects



Quick Disconnect Terminal Type: **Tab**

Wire Size: **.82 – 2.08 mm²**

Mating Tab Width: **6.35 mm [.25 in]**

Mating Tab Thickness: **.81 mm [.032 in]**

Features

Product Type Features

Terminates To	Wire & Cable
Wire/Cable Type	Regular Wire
Sealable	No

Configuration Features

Connection Capacity	Single
---------------------	--------

Contact Features

Quick Disconnect Terminal Type	Tab
Mating Tab Width	6.35 mm[.25 in]
Mating Tab Thickness	.81 mm[.032 in]
Terminal Orientation	Straight
Contact Base Material	Brass
Terminal Plating Material	Tin
Crimp Type	F-Crimp
Barrel Type	Open



Mechanical Attachment

Mating Retention Type	Dimple
Wire Insulation Support	With

Dimensions

Accepts Wire Insulation Diameter Range	2.79 – 3.81 mm [.109 – .15 in]
Overall Length	20.57 mm [.81 in]
Receptacle Terminal Stock Thickness	.4 mm [.015 in]
Wire Size	.82 – 2.08 mm ²

Usage Conditions

Insulation Requirement	Uninsulated
Operating Temperature Range	-40 – 110 °C [-40 – 230 °F]

Packaging Features

Packaging Quantity	3000
Packaging Method	Strip/Reel

Product Compliance

[For compliance documentation, visit the product page on TE.com>](#)

EU RoHS Directive 2011/65/EU	Compliant
EU ELV Directive 2000/53/EC	Compliant
China RoHS 2 Directive MIIT Order No 32, 2016	No Restricted Materials Above Threshold
EU REACH Regulation (EC) No. 1907/2006	Current ECHA Candidate List: JAN 2022 (223) Candidate List Declared Against: JAN 2022 (223) Does not contain REACH SVHC
Halogen Content	Low Halogen - Br, Cl, F, I < 900 ppm per homogenous material. Also BFR/CFR/PVC Free
Solder Process Capability	Not applicable for solder process capability

Product Compliance Disclaimer

This information is provided based on reasonable inquiry of our suppliers and represents our current actual knowledge based on the information they provided. This information is subject to change. The part numbers that TE has identified as EU RoHS compliant have a maximum concentration of 0.1% by weight in homogenous materials for lead, hexavalent chromium, mercury, PBB, PBDE, DBP, BBP, DEHP, DIBP, and 0.01% for cadmium, or qualify for an exemption to these limits as defined in the Annexes of Directive 2011/65/EU (RoHS2). Finished electrical and electronic equipment products will be CE marked as required by Directive 2011/65/EU. Components may not be CE marked. Additionally, the part numbers that TE has identified as EU ELV compliant have a maximum concentration of 0.1% by weight in homogenous materials for lead, hexavalent chromium, and mercury, and 0.01% for cadmium, or qualify for an exemption to these limits

as defined in the Annexes of Directive 2000/53/EC (ELV). Regarding the REACH Regulation, the information TE provides on SVHC in articles for this part number is based on the latest European Chemicals Agency (ECHA) 'Guidance on requirements for substances in articles' posted at this URL: <https://echa.europa.eu/guidance-documents/guidance-on-reach>

Compatible Parts

TE Part # 60794-2
FASTIN NECESSARY?? - separate
GPL: 326

REPRESENTATION ONLY

TE Part # 90165-1
DAHT 250 FASTON REC 18-14 ASSY

TE Part # 2305570-1
TERMINAL CUTTER, SIDE FEED

TE Part # 61367-3
250 FASTON TAB 18-14 AWG TPBR

TE Part # 180353-2
250 FASTON,TAB,12-10 AWG,TPBR

TE Part # 180353-1
250 FASTON,TAB,12-10 AWG,BR

TE Part # 180353-3
250 FASTON,TAB,12-10 AWG,TPBR

TE Part # 2-2151128-1
OCEAN_2.0_Applicator-S-110F180F

TE Part # 2-2151128-2
OCEAN_2.0_Applicator-S-110F180F-A

TE Part # 2151128-1
OCEAN_2.0_Applicator-S-110F180F

TE Part # 2151128-2
OCEAN_2.0_Applicator-S-110F180F-A

TE Part # 2238206-3
250 FASTON,FLAG,REC.,16-14 AWG,
PTBR

TE Part # 7-2151128-1
OCEAN_2.0_Applicator-S-110F180F

TE Part # 7-2151128-2
OCEAN_2.0_Applicator-S-110F180F-A

KIT

REPRESENTATION ONLY

TE Part # 7-2151128-7
OCEAN_2.0_SPARE_PART_KIT-
110F180F

Also in the Series | **FASTON 250**



Compression Connectors(4)



Crimp Terminal Housings(143)



Insertion & Extraction Tools(6)



Magnet Wire Terminals(1)



PCB Terminals(144)



Quick Disconnects(456)

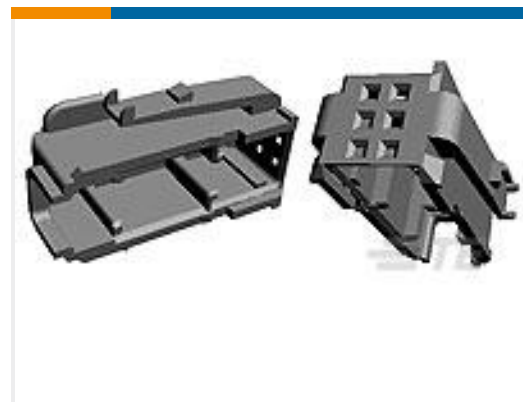


Splices(4)

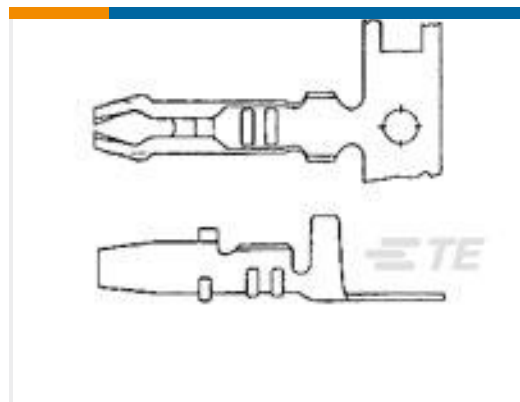
Customers Also Bought



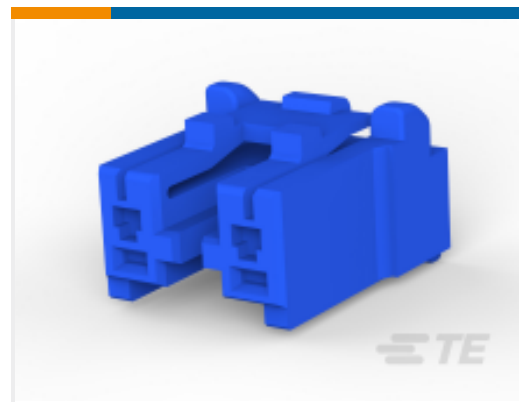
TE Part #2-179472-0
CT DBL ROW HOLDER,CRIMP,20P,NA



TE Part #953382-2
COVER FOR 6W HSG MQS GEN2



TE Part #170338-1
AMP-IN 22-18 AWG



TE Part #1747050-3
GIC7.92 2POS PLUG HSG.BLUE



TE Part #60938-2
250 FASTON REC 18-14 AWG TPBR



TE Part #925015-4
FF 110 REC HSG 3P NYLON NAT

Documents

Product Drawings

250 FASTON TAB 18-14 AWG TPBR

English

CAD Files

3D PDF

3D

Customer View Model

ENG_CVM_CVM_42474-4_AP.2d_dxf.zip



English

Customer View Model

[ENG_CVM_CVM_42474-4_AP.3d_igs.zip](#)

English

Customer View Model

[ENG_CVM_CVM_42474-4_AP.3d_stp.zip](#)

English

By downloading the CAD file I accept and agree to the [Terms and Conditions](#) of use.

Datasheets & Catalog Pages

[FASTON Tabs](#)

English

Product Specifications

[Application Specification](#)

English

Product Environmental Compliance

[MD_42474-4_05312018952_dmtec](#)

English

[MD_42474-4_05312018952_dmtec](#)

English

Agency Approvals

[UL Report](#)

English