

42234-2 ✓ ACTIVE

FASTON | FASTON 205

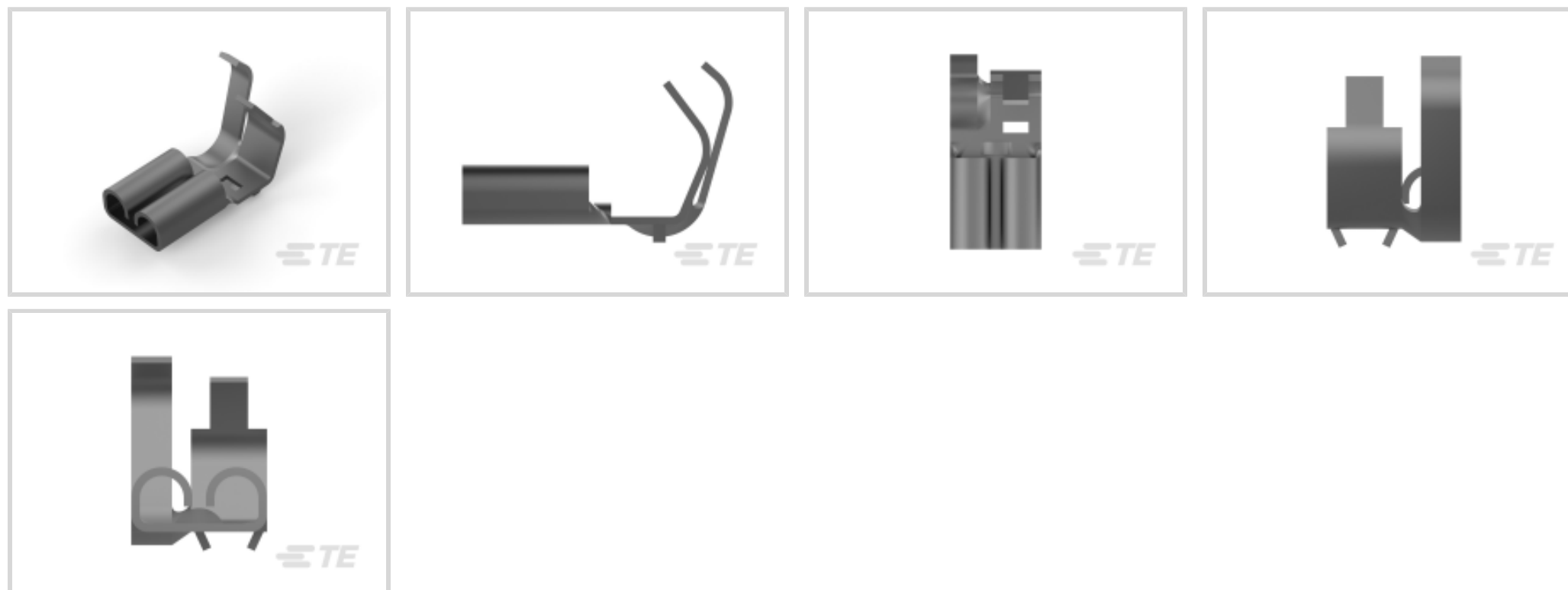
TE Internal #: 42234-2

FASTON 205, Quick Disconnects, Receptacle, 20 – 14 AWG Wire Size, .51 – 2.08 mm² Wire Size, Mating Tab Width .205 in [5.21 mm], Flag, Brass

[View on TE.com >](#)



Terminals & Splices > Quick Disconnects



Quick Disconnect Terminal Type: **Receptacle**

Wire Size: **.51 – 2.08 mm²**

Mating Tab Width: **5.21 mm [.205 in]**

Mating Tab Thickness: **.81 mm [.032 in]**

Features

Product Type Features

| | |
|-----------------|--------------|
| Terminates To | Wire & Cable |
| Wire/Cable Type | Regular Wire |
| Wire Stop | No |
| Insertion Force | Low |
| Sealable | No |

Configuration Features

| | |
|---------------------|--------|
| Connection Capacity | Single |
|---------------------|--------|

Contact Features

| | |
|--------------------------------|------------------|
| Quick Disconnect Terminal Type | Receptacle |
| Mating Tab Width | 5.21 mm[.205 in] |
| Mating Tab Thickness | .81 mm[.032 in] |
| Terminal Orientation | Flag |
| Contact Base Material | Brass |
| Terminal Plating Material | Tin |
| Crimp Type | Tab-Lok |



| | |
|-------------|------|
| Barrel Type | Open |
|-------------|------|

Mechanical Attachment

| | |
|-----------------------|---------|
| Mating Retention Type | Dimple |
| | .035 in |

| | |
|-------------------------|------|
| Wire Insulation Support | With |
|-------------------------|------|

Dimensions

| | |
|--|-------------------------------|
| Accepts Wire Insulation Diameter Range | 2.79 – 4.32 mm [.11 – .17 in] |
|--|-------------------------------|

| | |
|-------------------------------------|------------------|
| Receptacle Terminal Stock Thickness | .41 mm [.016 in] |
|-------------------------------------|------------------|

| | |
|----------------|-------------------|
| Overall Length | 13.46 mm [.53 in] |
|----------------|-------------------|

| | |
|-----------|----------------------------|
| Wire Size | .51 – 2.08 mm ² |
|-----------|----------------------------|

Usage Conditions

| | |
|------------------------|-------------|
| Insulation Requirement | Uninsulated |
|------------------------|-------------|

| | |
|-----------------------------|-----------------------------|
| Operating Temperature Range | -40 – 110 °C [-40 – 230 °F] |
|-----------------------------|-----------------------------|

Industry Standards

| | |
|---------------|-----|
| CSA Certified | Yes |
|---------------|-----|

| | |
|-----------|--------|
| UL Rating | Listed |
|-----------|--------|

Packaging Features

| | |
|--------------------|------|
| Packaging Quantity | 5000 |
|--------------------|------|

| | |
|------------------|------------|
| Packaging Method | Strip/Reel |
|------------------|------------|

Other

| | |
|------|---------|
| Line | Premier |
|------|---------|

Product Compliance

[For compliance documentation, visit the product page on TE.com>](#)

| | |
|------------------------------|-----------|
| EU RoHS Directive 2011/65/EU | Compliant |
|------------------------------|-----------|

| | |
|-----------------------------|-----------|
| EU ELV Directive 2000/53/EC | Compliant |
|-----------------------------|-----------|

| | |
|---|---|
| China RoHS 2 Directive MIIT Order No 32, 2016 | No Restricted Materials Above Threshold |
|---|---|

| | |
|--|---|
| EU REACH Regulation (EC) No. 1907/2006 | Current ECHA Candidate List: JAN 2022 (223) Candidate List Declared Against: JUL 2021 (219) SVHC > Threshold: Not Yet Reviewed |
|--|---|

| | |
|-----------------|--|
| Halogen Content | Low Halogen - Br, Cl, F, I < 900 ppm per |
|-----------------|--|



homogenous material. Also BFR/CFR/PVC Free

Solder Process Capability

Not applicable for solder process capability

Product Compliance Disclaimer

This information is provided based on reasonable inquiry of our suppliers and represents our current actual knowledge based on the information they provided. This information is subject to change. The part numbers that TE has identified as EU RoHS compliant have a maximum concentration of 0.1% by weight in homogenous materials for lead, hexavalent chromium, mercury, PBB, PBDE, DBP, BBP, DEHP, DIBP, and 0.01% for cadmium, or qualify for an exemption to these limits as defined in the Annexes of Directive 2011/65/EU (RoHS2). Finished electrical and electronic equipment products will be CE marked as required by Directive 2011/65/EU. Components may not be CE marked. Additionally, the part numbers that TE has identified as EU ELV compliant have a maximum concentration of 0.1% by weight in homogenous materials for lead, hexavalent chromium, and mercury, and 0.01% for cadmium, or qualify for an exemption to these limits as defined in the Annexes of Directive 2000/53/EC (ELV). Regarding the REACH Regulation, the information TE provides on SVHC in articles for this part number is based on the latest European Chemicals Agency (ECHA) 'Guidance on requirements for substances in articles' posted at this URL: <https://echa.europa.eu/guidance-documents/guidance-on-reach>

Compatible Parts




TE Part # 1217027-1
187 FASTON,FLAG,REC.,18-14 AWG, TPBR




TE Part # 565501-1
STD HBEMPR140T140OK


Also in the Series | FASTON 205



Crimp Terminal Housings(3)



PCB Terminals(9)



Quick Disconnects(36)

Customers Also Bought



TE Part #321235
RECEPT, FASTON SPLICE 22-10



TE Part #87227-7
14 MODII HDR DRST UNSHRD .100



TE Part #42400-2
250 FASTON REC 18-14 AWG TPBR



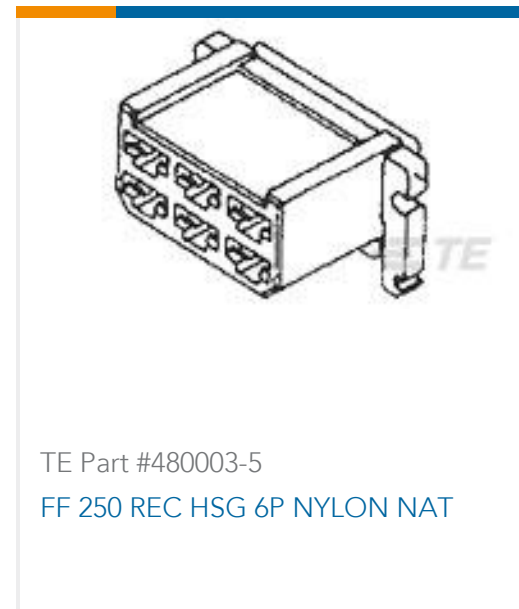
TE Part #41333
RING 18-14 AWG TPBR



TE Part #62131-3
CLSTR PIN RCPT



TE Part #640911-2
RECEPT,PIDG FASTON 22-18 205



TE Part #480003-5
FF 250 REC HSG 6P NYLON NAT



TE Part #41532
250 FASTON FLAG REC 18-12 AWG
TPBR



TE Part #1-1627229-7
H2097/1000

Documents

Product Drawings

[205 FASTON FLAG REC 20-14 AWG TPBR](#)

English

CAD Files

Customer View Model

[ENG_CVM_CVM_42234-2_BY.2d_dxf.zip](#)

English

3D PDF

3D

Customer View Model

[ENG_CVM_CVM_42234-2_BY.3d_igs.zip](#)

English

Customer View Model

[ENG_CVM_CVM_42234-2_BY.3d_stp.zip](#)

English

By downloading the CAD file I accept and agree to the [Terms and Conditions](#) of use.

Datasheets & Catalog Pages



[82004 FASTON Terminals \(Insulated and Uninsulated\) Catalog - FASTON Receptacles Section](#)

English

[Product Specifications](#)

[Application Specification](#)

English

[Product Environmental Compliance](#)

[MD_42234-2_100720142217_dmtec](#)

English

[MD_42234-2_100720142217_dmtec](#)

English

[Agency Approvals](#)

[UL Report](#)

English