

42197-2 ✓ ACTIVE

FASTON | FASTON 205

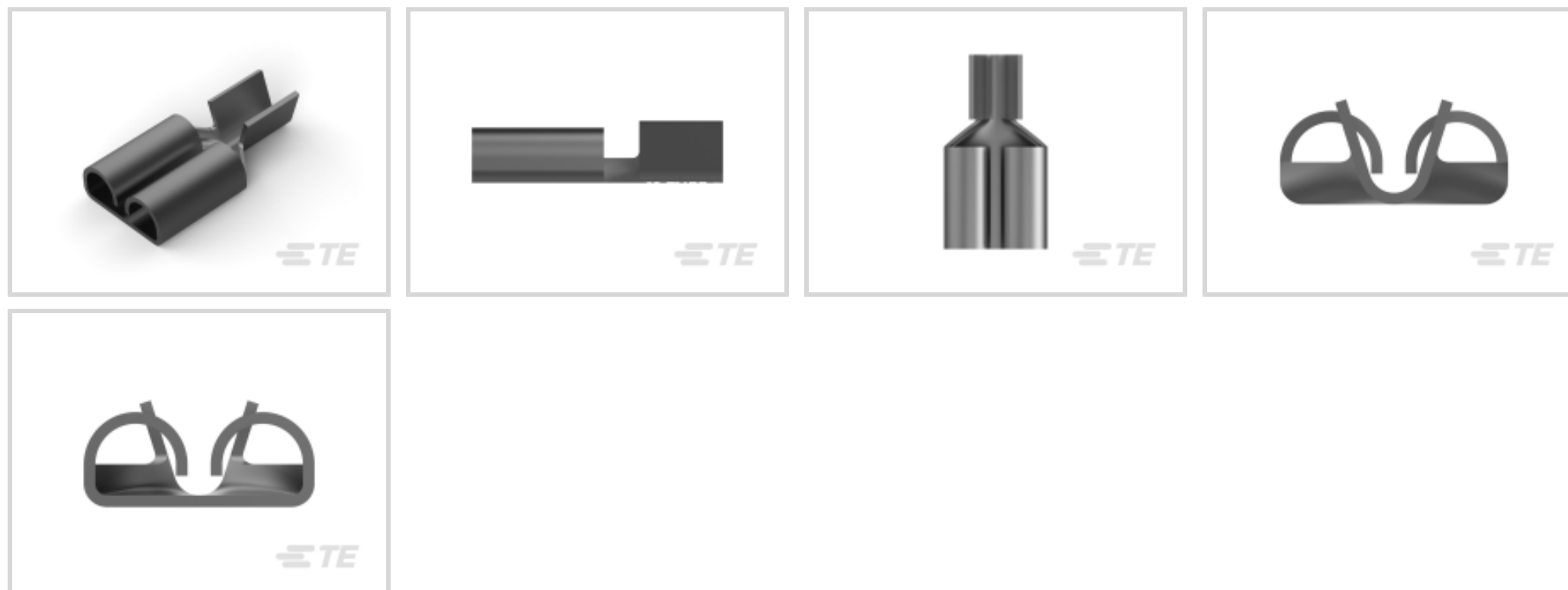
TE Internal #: 42197-2

FASTON 205, Quick Disconnects, Receptacle, 22 – 18 AWG Wire Size, .32 – .82 mm² Wire Size, Mating Tab Width .205 in [5.21 mm], Straight, Brass

[View on TE.com >](#)



Terminals & Splices > Quick Disconnects



Quick Disconnect Terminal Type: **Receptacle**

Wire Size: .32 – .82 mm²

Mating Tab Width: 5.21 mm [.205 in]

Mating Tab Thickness: .51 mm [.02 in]

Features

Product Type Features

Terminates To	Wire & Cable
Wire/Cable Type	Regular Wire
Wire Stop	No
Insertion Force	Normal
Sealable	No

Configuration Features

Connection Capacity	Single
---------------------	--------

Contact Features

Quick Disconnect Terminal Type	Receptacle
Mating Tab Width	5.21 mm[.205 in]
Mating Tab Thickness	.51 mm[.02 in]
Terminal Orientation	Straight
Contact Base Material	Brass
Terminal Plating Material	Tin
Crimp Type	F-Crimp



Barrel Type	Open
-------------	------

Mechanical Attachment

Mating Retention Type	Dimple
Wire Insulation Support	Without

Dimensions

Receptacle Terminal Stock Thickness	.33 mm[.013 in]
Overall Length	11.88 mm[.468 in]
Wire Size	.32 – .82 mm ²

Usage Conditions

Insulation Requirement	Uninsulated
Operating Temperature Range	-40 – 110 °C[-40 – 230 °F]

Industry Standards

CSA Certified	Yes
UL Rating	Listed

Packaging Features

Packaging Quantity	20000
Packaging Method	Strip/Reel

Other

Line	Premier
Comment	No slots.

Product Compliance

[For compliance documentation, visit the product page on TE.com>](#)

EU RoHS Directive 2011/65/EU	Compliant
EU ELV Directive 2000/53/EC	Compliant
China RoHS 2 Directive MIIT Order No 32, 2016	No Restricted Materials Above Threshold
EU REACH Regulation (EC) No. 1907/2006	Current ECHA Candidate List: JAN 2022 (223) Candidate List Declared Against: JUL 2021 (219) SVHC > Threshold: Not Yet Reviewed
Halogen Content	Low Halogen - Br, Cl, F, I < 900 ppm per homogenous material. Also BFR/CFR/PVC

Free

Solder Process Capability

Not applicable for solder process capability

Product Compliance Disclaimer

This information is provided based on reasonable inquiry of our suppliers and represents our current actual knowledge based on the information they provided. This information is subject to change. The part numbers that TE has identified as EU RoHS compliant have a maximum concentration of 0.1% by weight in homogenous materials for lead, hexavalent chromium, mercury, PBB, PBDE, DBP, BBP, DEHP, DIBP, and 0.01% for cadmium, or qualify for an exemption to these limits as defined in the Annexes of Directive 2011/65/EU (RoHS2). Finished electrical and electronic equipment products will be CE marked as required by Directive 2011/65/EU. Components may not be CE marked. Additionally, the part numbers that TE has identified as EU ELV compliant have a maximum concentration of 0.1% by weight in homogenous materials for lead, hexavalent chromium, and mercury, and 0.01% for cadmium, or qualify for an exemption to these limits as defined in the Annexes of Directive 2000/53/EC (ELV). Regarding the REACH Regulation, the information TE provides on SVHC in articles for this part number is based on the latest European Chemicals Agency (ECHA) 'Guidance on requirements for substances in articles' posted at this URL: <https://echa.europa.eu/guidance-documents/guidance-on-reach>

Compatible Parts



TE Part # 1217149-1
187 FASTON,REC.,18-14 AWG,TPBR



TE Part # 42452-2
187 FASTON REC 20-16 AWG TPBR



TE Part # 42299-2
205 FASTON REC 22-18 AWG TPBR



TE Part # 42198-1
205 FASTON REC 22-18 AWG BR



TE Part # 42373-2
187 FASTON REC 20-16 AWG TPBR



TE Part # 42198-2
205 FASTON REC 22-18 AWG TPBR



TE Part # 42781-2
205 FASTON REC 18-14 AWG TPBR



TE Part # 170181-2
205 FASTON,REC.,22-18 AWG,BR

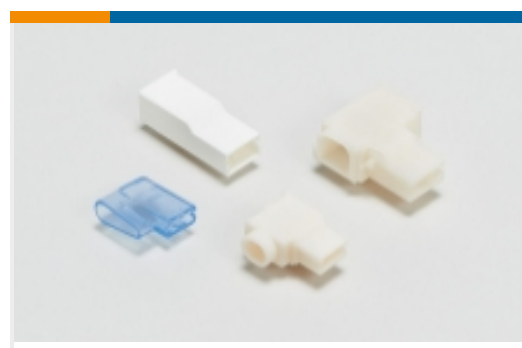


TE Part # 170181-4
205 FASTON,REC.,22-18 AWG,BR



TE Part # 60674-1
205 FASTON REC 26-22 AWG TPBR

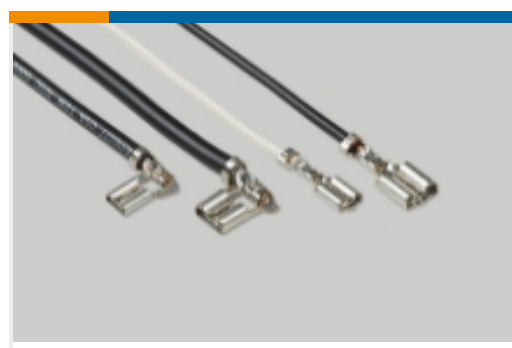
Also in the Series | **FASTON 205**



Crimp Terminal Housings(3)

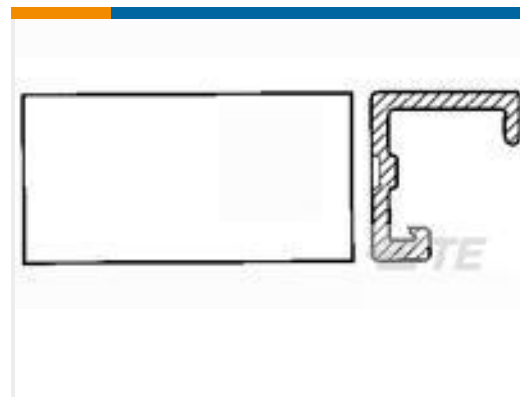
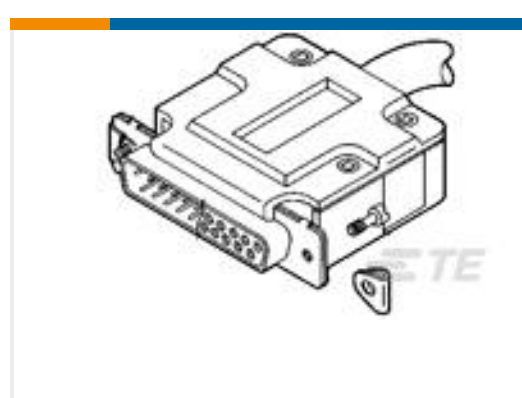


PCB Terminals(9)



Quick Disconnects(36)

Customers Also Bought

TE Part #208473-1
CMC SERIES 1TE Part #1-640550-0
10P MTA100 COVERTE Part #3-643813-7
07P MTA100 CONN ASSY POL RIBTE Part #205842-1
CPC PLUG ASSEMBLY SIZE 23-63TE Part #1658622-6
26 NOVO MIL/CTR 30DP, LEAD FREETE Part #61174-1
CMNL PIN L/P PTBRTE Part #3-350816-2
ULTRAFast 187 ASSY REC 16-14
TPBR LPTE Part #34855
TERMINAL, PG R 12-10 1/4TE Part #5207908-7
STRAIN REL W/SCRW RET KIT, SZ 3

Documents

Product Drawings

205 FASTON REC 22-18 AWG TPBR

English

CAD Files

3D PDF

3D

Customer View Model

ENG_CVM_CVM_42197-2_AS.2d_dxf.zip



English

Customer View Model

[ENG_CVM_CVM_42197-2_AS.3d_igs.zip](#)

English

Customer View Model

[ENG_CVM_CVM_42197-2_AS.3d_stp.zip](#)

English

By downloading the CAD file I accept and agree to the [Terms and Conditions](#) of use.

Datasheets & Catalog Pages

FASTON Tabs

English

Product Specifications

Application Specification

English

Application Specification

English

Wire Preparation And Crimp Inspection Guide

English

Agency Approvals

UL Report

English