

42111-2 ✓ ACTIVE

TE Internal #: 42111-2

Ring Terminals & Spade Terminals, Ring Tongue, 18 – 14 AWG

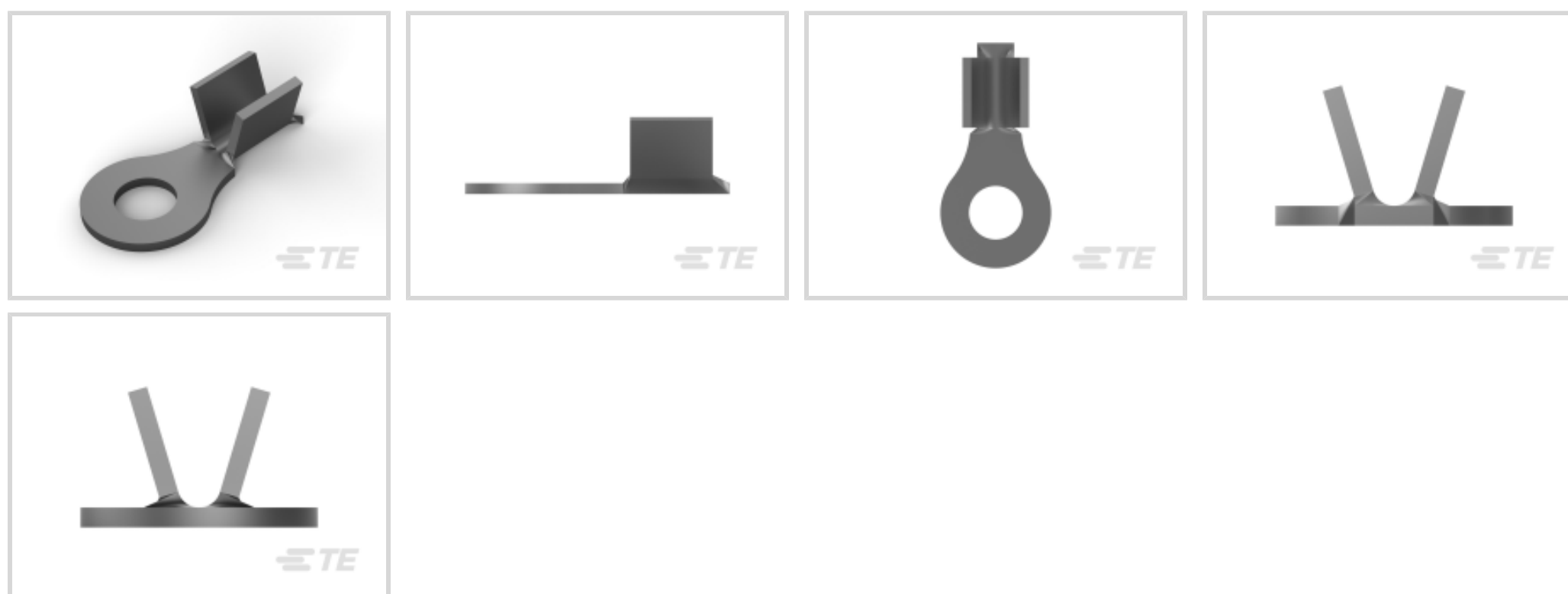
Wire Size, .8 – 2 mm² Wire Size, 1624 – 4106 CMA Wire Size, Stud

Size #8 / M4

[View on TE.com >](#)



Terminals & Splices > Ring Terminals & Spade Terminals



Ring & Spade Terminal Type: **Ring Tongue**

Wire Size: **1624 – 4106 CMA**

Stud Size: **#8, M4**

Features

Product Type Features

Shape Description	Circular/Oval
Stud Size	#8, M4
Sealable	No
Compatible With Discrete Wire Type	Stranded
Wire Insulation Support Retention Type	Non-Insulation Support

Configuration Features

Number of Holes	1
Terminal Angle	180 °

Body Features

Weight per Piece	.444 g
------------------	--------

Contact Features

Contact Base Material	Brass
Ring & Spade Terminal Type	Ring Tongue
Barrel Type	Open
Terminal Orientation	Straight
Terminal Plating Material	Tin



Contact Underplating Material	None
-------------------------------	------

Mechanical Attachment

Wire Insulation Support	Without
-------------------------	---------

Dimensions

Wire Size	1624 – 4106 CMA
-----------	-----------------

Stud Diameter	4.17 mm[.164 in]
---------------	------------------

Tongue Thickness	.76 mm[.03 in]
------------------	----------------

Overall Product Length	14.48 mm[.57 in]
------------------------	------------------

Barrel Inside Diameter	1.39 mm[.055 in]
------------------------	------------------

Usage Conditions

Insulation Requirement	Uninsulated
------------------------	-------------

Operating Temperature Range	110 °C[230 °F]
-----------------------------	----------------

Operation/Application

Compatible With Wire Base Material	Copper
------------------------------------	--------

Heavy Duty	No
------------	----

Industry Standards

Government Qualified	No
----------------------	----

Packaging Features

Packaging Quantity	16000
--------------------	-------

Packaging Method	Strip/Reel
------------------	------------

Product Compliance

[For compliance documentation, visit the product page on TE.com>](#)

EU RoHS Directive 2011/65/EU	Compliant
------------------------------	-----------

EU ELV Directive 2000/53/EC	Compliant
-----------------------------	-----------

China RoHS 2 Directive MIIT Order No 32, 2016	No Restricted Materials Above Threshold
---	---

EU REACH Regulation (EC) No. 1907/2006	Current ECHA Candidate List: JAN 2022 (223) Candidate List Declared Against: JAN 2022 (223) Does not contain REACH SVHC
--	---

Halogen Content	Low Halogen - Br, Cl, F, I < 900 ppm per homogenous material. Also BFR/CFR/PVC Free
-----------------	---

Solder Process Capability

Not applicable for solder process capability

Product Compliance Disclaimer

This information is provided based on reasonable inquiry of our suppliers and represents our current actual knowledge based on the information they provided. This information is subject to change. The part numbers that TE has identified as EU RoHS compliant have a maximum concentration of 0.1% by weight in homogenous materials for lead, hexavalent chromium, mercury, PBB, PBDE, DBP, BBP, DEHP, DIBP, and 0.01% for cadmium, or qualify for an exemption to these limits as defined in the Annexes of Directive 2011/65/EU (RoHS2). Finished electrical and electronic equipment products will be CE marked as required by Directive 2011/65/EU. Components may not be CE marked. Additionally, the part numbers that TE has identified as EU ELV compliant have a maximum concentration of 0.1% by weight in homogenous materials for lead, hexavalent chromium, and mercury, and 0.01% for cadmium, or qualify for an exemption to these limits as defined in the Annexes of Directive 2000/53/EC (ELV). Regarding the REACH Regulation, the information TE provides on SVHC in articles for this part number is based on the latest European Chemicals Agency (ECHA) 'Guidance on requirements for substances in articles' posted at this URL: <https://echa.europa.eu/guidance-documents/guidance-on-reach>

Compatible Parts



TE Part # 2150632-1
OCEAN-2.0-APPLICATOR-E-140F-001-0256



TE Part # 2-2150632-1
OCEAN-2.0-APPLICATOR-E-140F-001-0256



TE Part # 2-2150632-2
OCEAN-2.0-APPLICATOR-E-140FA



TE Part # 2150632-2
OCEAN-2.0-APPLICATOR-E-140FA



TE Part # 7-2150632-1
OCEAN-2.0-APPLICATOR-E-140F-001-0256

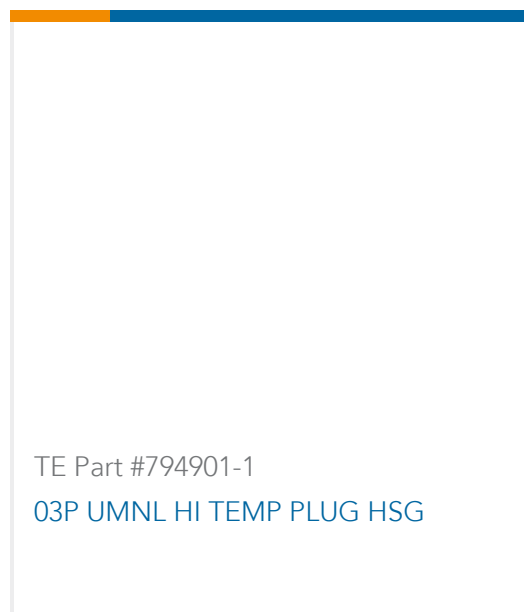


TE Part # 7-2150632-2
OCEAN-2.0-APPLICATOR-E-140FA

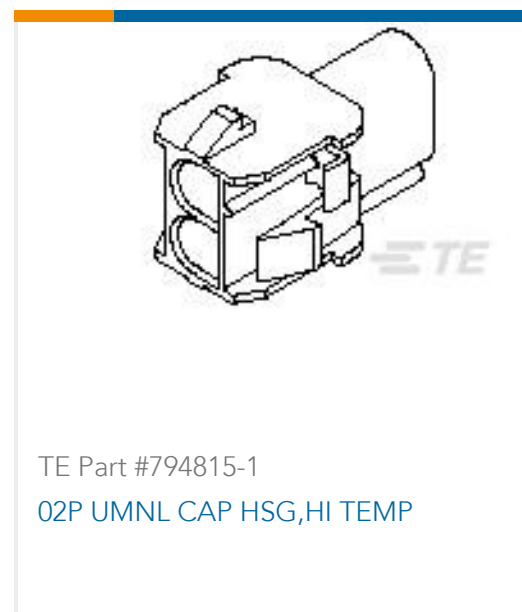


TE Part # 7-2150632-7
OCEAN_2.0_SPARE_PART_KIT-140F

Customers Also Bought



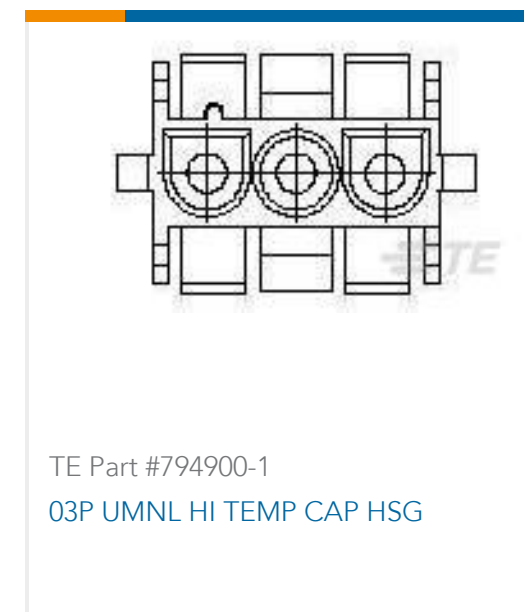
TE Part #794901-1
03P UMNL HI TEMP PLUG HSG



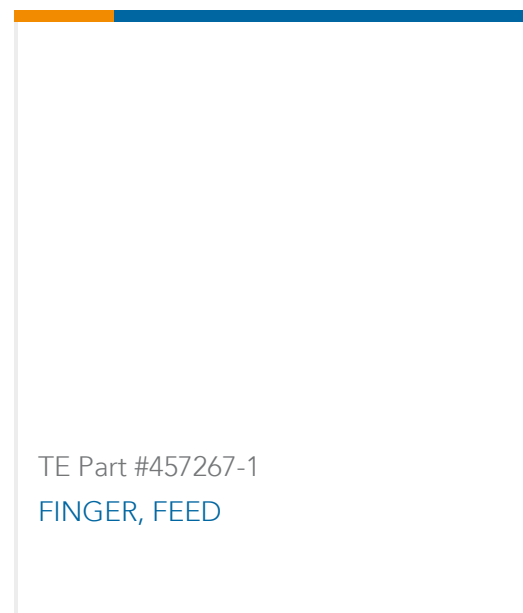
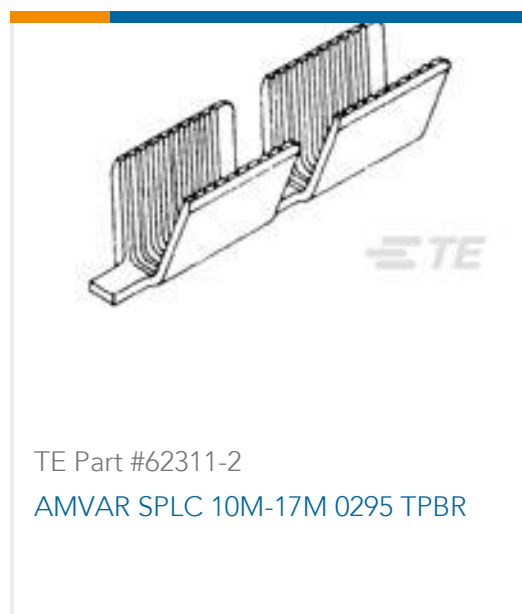
TE Part #794815-1
02P UMNL CAP HSG,HI TEMP



TE Part #794814-1
02P UMNL PLUG HSG,HI TEMP



TE Part #794900-1
03P UMNL HI TEMP CAP HSG



Documents

Product Drawings

RING TONGUE TERMINAL 18-14 AWG TPBR

English

CAD Files

3D PDF

3D

Customer View Model

[ENG_CVM_CVM_42111-2_AB_c-42111-2-ab.2d_dxf.zip](#)

English

Customer View Model

[ENG_CVM_CVM_42111-2_AB_c-42111-2-ab.3d_igs.zip](#)

English

Customer View Model

[ENG_CVM_CVM_42111-2_AB_c-42111-2-ab.3d_stp.zip](#)

English

By downloading the CAD file I accept and agree to the [Terms and Conditions](#) of use.

Product Specifications

Engineering Report

English

Product Environmental Compliance

[MD_42111-2_02172017231_dmtec](#)

English

[MD_42111-2_02172017231_dmtec](#)

English



[Agency Approvals](#)

[UL Report](#)

English