



TTVF

TE Internal #: 412200-000

TTVF, Standard Labels, Flagging, Continuous Label Style, Permanent Pressure Sensitive Acrylic Adhesive, UL Listed Yes, Width 1.5 in [38.1 mm]

[View on TE.com >](#)

Identification & Labeling > Labels > Standard Labels > TTVF COLOR CODING FLAGGING PVF LABELS



Label Type: **Flagging**

Label Style: **Continuous**

Label Adhesive Type: **Permanent Pressure Sensitive Acrylic Adhesive**

UL Listed: **Yes**

Label Width: **38.1 mm [1.5 in]**

[All TTVF COLOR CODING FLAGGING PVF LABELS \(23\)](#)

Features

Product Type Features

Label Type	Flagging
------------	----------

Body Features

Label Color	Yellow
-------------	--------

Usage Conditions

Operating Temperature Range	-40 – 107 °C[-40 – 225 °F]
-----------------------------	----------------------------

Printer/Label Features

Number of Labels Across	1
Recommended Printer Ribbon	See Printer Ribbon Matrix
Label Style	Continuous
Label Width	38.1 mm[1.5 in]
Length of Label Roll	30.48 m[100 ft]
Label Material	Polyvinyl Fluoride (PVF)
Label Thickness	85 Micron

Industry Standards

UL Listed	Yes
-----------	-----



Packaging Features

Packaging Quantity	1
Packaging Method	Roll

Other

Label Adhesive Type	Permanent Pressure Sensitive Acrylic Adhesive
---------------------	---

Product Compliance

[For compliance documentation, visit the product page on TE.com>](#)

EU RoHS Directive 2011/65/EU	Compliant
EU ELV Directive 2000/53/EC	Compliant
China RoHS 2 Directive MIIT Order No 32, 2016	No Restricted Materials Above Threshold
EU REACH Regulation (EC) No. 1907/2006	Current ECHA Candidate List: JAN 2022 (223) Candidate List Declared Against: JUL 2021 (219) SVHC > Threshold: Not Yet Reviewed
Halogen Content	Not Low Halogen - contains Br or Cl > 900 ppm.
Solder Process Capability	Not applicable for solder process capability

Product Compliance Disclaimer

This information is provided based on reasonable inquiry of our suppliers and represents our current actual knowledge based on the information they provided. This information is subject to change. The part numbers that TE has identified as EU RoHS compliant have a maximum concentration of 0.1% by weight in homogenous materials for lead, hexavalent chromium, mercury, PBB, PBDE, DBP, BBP, DEHP, DIBP, and 0.01% for cadmium, or qualify for an exemption to these limits as defined in the Annexes of Directive 2011/65/EU (RoHS2). Finished electrical and electronic equipment products will be CE marked as required by Directive 2011/65/EU. Components may not be CE marked. Additionally, the part numbers that TE has identified as EU ELV compliant have a maximum concentration of 0.1% by weight in homogenous materials for lead, hexavalent chromium, and mercury, and 0.01% for cadmium, or qualify for an exemption to these limits as defined in the Annexes of Directive 2000/53/EC (ELV). Regarding the REACH Regulation, the information TE provides on SVHC in articles for this part number is based on the latest European Chemicals Agency (ECHA) 'Guidance on requirements for substances in articles' posted at this URL: <https://echa.europa.eu/guidance-documents/guidance-on-reach>

Compatible Parts



TE Part # 1-2186502-1
T3224-PRINTER



TE Part # 1-2186503-1
T3224-SWARE-PRINTER



TE Part # 1-2186500-1
T3212-PRINTER



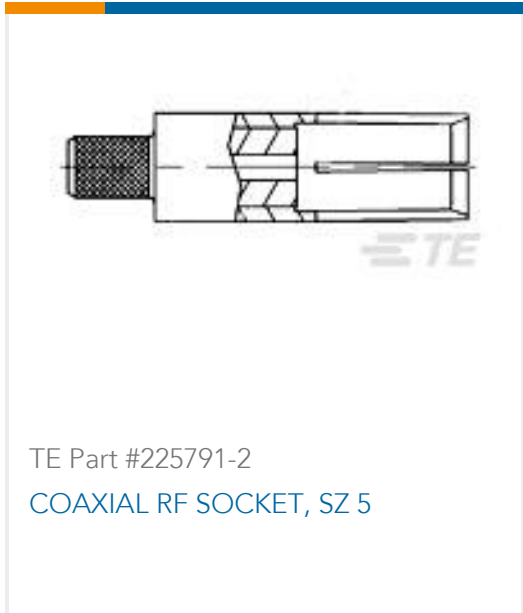
TE Part # 1-2186501-1
T3212-SWARE-PRINTER

Also in the Series | TTVF



Standard Labels(23)

Customers Also Bought



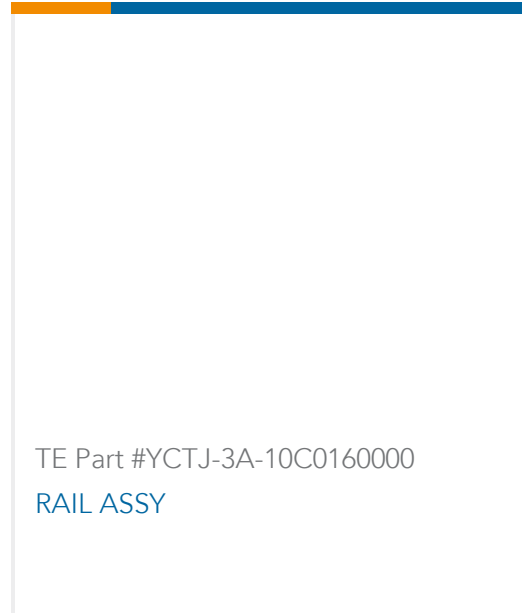
TE Part #225791-2
COAXIAL RF SOCKET, SZ 5



TE Part #901464-000
222A121-25/86-0



TE Part #203618-1
MALE J.S. ASSY. - SHORT



TE Part #YCTJ-3A-10C0160000
RAIL ASSY



TE Part #YDL66R-16-24SNC011
PLUG ASSY



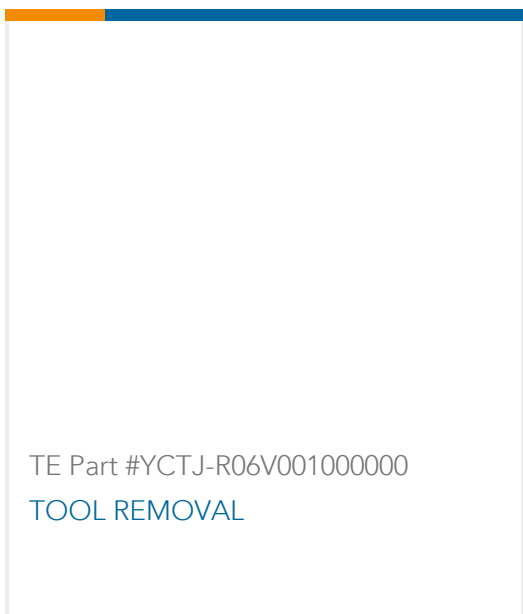
TE Part #171284-000
TTVF150BE-100



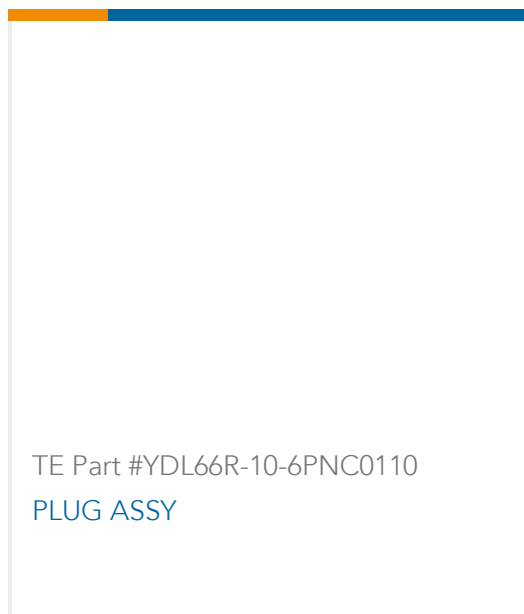
TE Part #D57376-000
EP-508318-2.5-9



TE Part #436001-000
55PC0231-14-2/4/6CS2502



TE Part #YCTJ-R06V001000000
TOOL REMOVAL



TE Part #YDL66R-10-6PNC0110
PLUG ASSY



Documents

Product Drawings

[TTVF150YW-100](#)

English

Datasheets & Catalog Pages

[IDENTIFICATION SELECTION GUIDE](#)

English

[DMVF/TTVF Tedlar Labels](#)

English

Product Specifications

[IDENTIFICATION PRINTER PRODUCT RIBBON MATRIX](#)

English