

## IEC Connector C13, Rewireable, Straight



C13



70° C

**Description**

- Connector:  
Screwing cable terminal.
- Pin temperature 70 °C, Protection class I,
- Cable
- Note: Please order pvc strain relief seperately, mating strain reliefs please find under accessories.

**Approvals**

- VDE Certificate Number: 40008187
- CSA File Number: 1612079

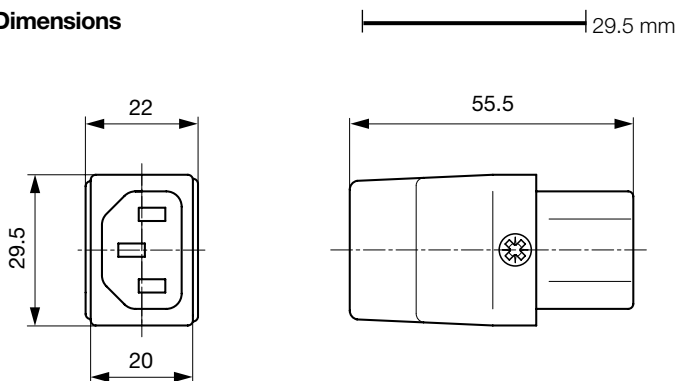
**References****Weblinks**

[General Product Information](#), [Approvals](#), [RoHS](#), [CHINA-RoHS](#), [Mating Connectors](#), [e-Store](#), [SCHURTER-Stock-Check](#), [Distributor-Stock-Check](#), [Accessories](#)

**Technical Data**

|                           |   |
|---------------------------|---|
| Ratings IEC               | 10A / 250VAC; 50Hz  |
| Ratings UL/CSA            | 15A / 250VAC; 60Hz  |
| Dielectric Strength       | > 3kVAC between L-N<br>> 1.5kVAC between L/N-PE<br>(1 min/50Hz)   |
| Allowable Operation Temp. | -25 °C to 70 °C   |
| Degree of Protection      | from front side IP 20 acc. to IEC 60529                           |
| Protection Class          | Suitable for appliances with protection class 1 acc. to IEC 61140 |
| Terminal                  | Screw Clamp Ground terminal                                       |
| Material: Housing         | UL 94V-0  |

|           |   |
|-----------|---|
| Connector | C13 acc. to IEC/EN 60320-2-2<br>UL 498, CSA C22.2 no. 42 (for cold conditions) pin-temperature 70 °C, 10A, Protection Class 1 |
|-----------|---|

**Dimensions**

## Config. Code

Product Configurator

4022 - H - A B C 0 - D - E J

The characters are placeholders for the correspondingly keys of selections from the key tables.

4022 - **H** - A B C 0 - D - E J = Type

| Type               | Configuration key |
|--------------------|-------------------|
| protection class 1 | X                 |

4022 - H - **A** B C 0 - D - E J = Terminals

| Terminal L     | Configuration key |
|----------------|-------------------|
| screw terminal | A                 |

4022 - H - A **B** C 0 - D - E J = Terminals

| Terminal N     | Configuration key |
|----------------|-------------------|
| screw terminal | A                 |

Symbols similar as in table A

4022 - H - A B **C** 0 - D - E J = Terminals

| Terminal Ground | Configuration key |
|-----------------|-------------------|
| screw terminal  | A                 |

Symbols similar as in table A

4022 - H - A B C 0 - **D** - E J = Color

| Color                | Configuration key |
|----------------------|-------------------|
| jet black; RAL9005   | A                 |
| silver grey; RAL7001 | B                 |
| pure white; RAL9010  | D                 |

4022 - H - A B C 0 - D - **E** J = Style

| Style             | Configuration key |
|-------------------|-------------------|
| for cord assembly | 8                 |

4022 - H - A B C 0 - D - E **J** = Condition

| Condition    | Configuration key |
|--------------|-------------------|
| assembled    | 1                 |
| disassembled | 2                 |

## Variants

| Config. Code     | Description   | Order Number |
|------------------|---|--------------|
| 4022-X-AAA0-A-81 | 4022, IEC Connector, C13, 70°C, version: 1, L: screw terminal, N: screw terminal, ground: screw terminal, color: jet black; RAL9005, design: for cord assembly, condition:assembled   | 4310.0027    |
| 4022-X-AAA0-B-81 | 4022, IEC Connector, C13, 70°C, version: 1, L: screw terminal, N: screw terminal, ground: screw terminal, color: silver grey; RAL7001, design: for cord assembly, condition:assembled | 4310.0028    |

The listed variants should be available from stock Other versions on request [www.schurter.com/contact](http://www.schurter.com/contact)

**Packaging unit** 50 Pcs

## Accessories

### Description



HN 14.110  
PVC Strain Relief



HN 14.45  
PVC Strain Relief



HN 14.46  
PVC Strain Relief

Mating Inlets/Plugs

Category / Description

Appliance Inlet Overview complete



|   |      |
|---|------|
| IEC Appliance Inlet C14, Snap-in Mounting, Front Side, Solder or Quick-connect Terminal             | 0711 |
| IEC Appliance Inlet C14, Screw-on Mounting, Rear Side, PCB Terminal                                 | 1001 |
| IEC Appliance Inlet C18, Screw-on Mounting, Rear Side, PCB Terminal                                 | 1005 |
| IEC Appliance Inlet C14, Snap-in Mounting, Front Side, Solder or Quick-connect or Screw-on Terminal | 6010 |
| IEC Appliance Inlet C18, Snap-in Mounting, Front Side, Solder or Quick-connect or Screw-on Terminal | 6015 |
| <a href="#">Appliance Inlet further types to 4022</a>   | ...  |

Distribution Unit Overview complete



|  |      |
|--|------|
| Distribution Unit for Snap-in Mounting with 1 IEC Appliance Inlet C14 and 1 Appliance Outlet F                 | 0712 |
| Distribution Unit with 1 IEC Appliance Inlet C14 or Power Cord, 4 IEC Appliance Outlets F and Extra Components | 4740 |
| Distribution Unit with 1 IEC Appliance Inlet C14 and 2 Appliance Outlets F, Shuttered                          | 4741 |
| Distribution Unit with 1 IEC Appliance Inlet C14 and 4 Appliance Outlets F                                     | 4747 |
| <a href="#">Distribution Unit further types to 4022</a>  | ...  |

Interconnection Cord Overview complete



|  |      |
|--|------|
| Interconnection Cord with IEC Plug E, Angled               | 0607 |
| Interconnection Cord with IEC Plug E, Angled               | 0608 |
| Interconnection Cord with IEC Plug E, Straight             | 0609 |
| Interconnection Cord with IEC Plug G, Angled               | 607B |
| Interconnection Cord with IEC Plug G, Angled               | 608B |
| <a href="#">Interconnection Cord further types to 4022</a> | ...  |

Plug Overview complete



|   |      |
|---|------|
| IEC Plug E, Cord Connector (Rewireable), Straight, max. cable Diameter 8.5 mm | 4732 |
| IEC Plug E, Cord Connector (Rewireable), Angled, max. Cable Diameter 10 mm    | 4733 |
| IEC Plug E, Cord Connector (Rewireable), Straight, max. Cable Diameter 10 mm  | 4735 |
| IEC Plug E, Cord Connector (Rewireable), Angled, max. Cable Diameter 10 mm    | 4736 |
| IEC Plug E, Cord Connector (Rewireable), Straight                             | 9009 |
| <a href="#">Plug further types to 4022</a>                                    | ...  |

Power Entry Module Overview complete



|   |      |
|---|------|
| IEC Appliance Inlet C14 or C18 with Fuseholder 1-pole       | 1062 |
| IEC Appliance Inlet C14 or C18 with Fuseholder 1- or 2-pole | 1064 |
| IEC Appliance Inlet C18 with Fuseholder 1-pole              | 1065 |
| IEC Appliance Inlet C18 with Fuseholder 1- or 2-pole        | 1066 |
| IEC Appliance Inlet C14 with Fuseholder 1- or 2-pole        | 1092 |
| <a href="#">Power Entry Module further types to 4022</a>    | ...  |

Power Entry Module with line filter Overview complete



|   |        |
|---|--------|
| IEC Appliance Inlet C14 with Filter                                       | 5110   |
| IEC Appliance Inlet C14 with Filter, Circuit Breaker TA45                 | 5145   |
| IEC Appliance Inlet C14 with Filter, Fuseholder 1-pole                    | 5200   |
| IEC Appliance Inlet C14 with Filter, Fuseholder 1- or 2-pole              | 5220   |
| IEC Appliance Inlet C14 with Filter, Fuseholder 2-pole                    | 8843-8 |
| <a href="#">Power Entry Module with line filter further types to 4022</a> | ...    |