

**JUMO GmbH & Co. KG**  
Delivery address: Mackenrodtstraße 14  
36039 Fulda, Germany  
Postal address: 36035 Fulda, Germany  
Phone: +49 661 6003-0  
Fax: +49 661 6003-607  
Email: mail@jumo.net  
Internet: www.jumo.net

**JUMO Instrument Co. Ltd.**  
JUMO House  
Temple Bank, Riverway  
Harlow, Essex, CM20 2DY, UK  
Phone: +44 1279 63 55 33  
Fax: +44 1279 62 50 29  
Email: sales@jumo.co.uk  
Internet: www.jumo.co.uk

**JUMO Process Control, Inc.**  
6724 Joy Road  
East Syracuse, NY 13057, USA  
Phone: +1 315 437 5866  
Fax: +1 315 437 5860  
Email: info.us@jumo.net  
Internet: www.jumousa.com



# JUMO MAERA S25

## Level probe

### Applications

#### Level and level measurements<sup>1</sup>

- In rainwater cisterns
- In gray water recycling
- Heating oil and diesel oil tanks
- In AUS32 (known in Europe as "AdBlue®", "DEF" in North America, or "ARLA 32" in Brazil)

### Brief description

The JUMO MAERA S25 level probe is used for the continuous hydrostatic level measurement of liquids. Filling heights between 2.50 and 10 mWS (water column) can be achieved in ventilated tanks.

When the level probe is immersed into a liquid, a liquid column emerges above the probe. The liquid column increases as the probe is immersed deeper into the liquid and creates a hydrostatic pressure on the measuring system by the force of its weight. The measured pressure is transferred as a standard signal. The signal is linearly proportional to the rising liquid column.

Any variations in air pressure are automatically compensated for using a protective hose and the surrounding pressure is therefore taken into account.

Further information on our level probes from the JUMO MAERA series can be found in the brochure "Limit Level Measurement and Level Measurement" in the documentation.

### Customer benefits

- **Economic**  
The standardized, constructive design and constant optimization of the production process result in an excellent price-performance ratio of the level probe.
- **Process-reliable**  
The core of the level probe is a piezoresistive measuring cell, which features high overload resistance and is particularly safe, reliable, and temperature resistant. Each level probe is tested in a fully automated measuring and calibration facility to ensure consistently high product quality. A reverse-polarity protection mechanism protects the measuring instrument against damage, ensuring maximum safety during startup.



Type 401015 with process connection 707

### Special features

- Measuring ranges: 0.25 to 1 bar (2.5 to 10 mWS)
- Medium temperature 0 to 50 °C
- Piezoresistive silicon sensor
- Accuracy: 0.3% MSP<sup>2</sup> (linearity)
- Sensor technology proven thousands of times over
- Reverse-polarity protection mechanism
- Suitable for indoor installation

<sup>1</sup> These recommendations are based on many years of experience; however, in individual cases they may not be fully applicable. We would be happy to provide further information, including regarding additional applications.

<sup>2</sup> MSP = measuring span

### Approvals and approval marks (see technical data)



**JUMO GmbH & Co. KG**  
 Delivery address: Mackenrodtstraße 14  
 36039 Fulda, Germany  
 Postal address: 36035 Fulda, Germany  
 Phone: +49 661 6003-0  
 Fax: +49 661 6003-607  
 Email: mail@jumo.net  
 Internet: www.jumo.net

**JUMO Instrument Co. Ltd.**  
 JUMO House  
 Temple Bank, Riverway  
 Harlow, Essex, CM20 2DY, UK  
 Phone: +44 1279 63 55 33  
 Fax: +44 1279 62 50 29  
 Email: sales@jumo.co.uk  
 Internet: www.jumo.co.uk

**JUMO Process Control, Inc.**  
 6724 Joy Road  
 East Syracuse, NY 13057, USA  
 Phone: +1 315 437 5866  
 Fax: +1 315 437 5860  
 Email: info.us@jumo.net  
 Internet: www.jumousa.com



## Technical data

### General Information

Reference conditions	DIN 16086 and DIN EN 60770
Measuring principle	Piezoresistive sensor with stainless steel separating membrane
Pressure transfer means	Synthetic oil
Admissible load changes	> 10 million, 0 to 100 % measuring range
Mounting position	Vertical/hanging from the cable

### Measuring range and accuracy

Measuring range bar	Linearity <sup>a</sup> % MSP <sup>e</sup>	Accuracy at		Long-term stability <sup>b</sup> % MSP per year	Overload capability bar	Burst pressure bar
		20 °C <sup>c</sup> % MSP	0 to 50 °C <sup>d</sup> % MSP			
0 to 0.25 bar relative pressure	0.3	0.5	1	≤ 0.3	0.75	1
0 to 0.4 bar relative pressure	0.3	0.5	1		1.2	1.6
0 to 0.6 bar relative pressure	0.3	0.5	1		1.8	2.4
0 to 1 bar relative pressure	0.3	0.5	1		3	4

<sup>a</sup> Linearity according to limit point setting

<sup>b</sup> Reference conditions EN 61298-1

<sup>c</sup> Includes: linearity, hysteresis, repeatability, deviation from measuring range start (offset), and measuring range end

<sup>d</sup> Includes: linearity, hysteresis, repeatability, deviation from measuring range start (offset) and measuring range end, thermal influences on measuring range start (offset), and measuring span

<sup>e</sup> MSP = measuring span

### Output

Analog output Current Output 405 Voltage Output 412 Output 415 Output 418 Output 420	4 to 20 mA, two-wire  DC 0.5 to 4.5 V, three-wire, ratiometric 10 to 90 % of the voltage supply DC 0 to 10 V, three-wire DC 1 to 5 V, three-wire DC 1 to 6 V, three-wire
Step response T <sub>90</sub>	≤ 10 ms
Burden Current 4 to 20 mA, two-wire Voltage DC 0.5 to 4.5 V, three-wire DC 0 to 10 V, three-wire DC 1 to 5 V, three-wire DC 1 to 6 V, three-wire	$R_L \leq (U_B - 10 \text{ V}) \div 0.02 \text{ A } (\Omega)$  $R_L \geq 20 \text{ k}\Omega$ $R_L \geq 10 \text{ k}\Omega$ $R_L \geq 10 \text{ k}\Omega$ $R_L \geq 10 \text{ k}\Omega$

**JUMO GmbH & Co. KG**  
 Delivery address: Mackenrodtstraße 14  
 36039 Fulda, Germany  
 Postal address: 36035 Fulda, Germany  
 Phone: +49 661 6003-0  
 Fax: +49 661 6003-607  
 Email: mail@jumo.net  
 Internet: www.jumo.net

**JUMO Instrument Co. Ltd.**  
 JUMO House  
 Temple Bank, Riverway  
 Harlow, Essex, CM20 2DY, UK  
 Phone: +44 1279 63 55 33  
 Fax: +44 1279 62 50 29  
 Email: sales@jumo.co.uk  
 Internet: www.jumo.co.uk

**JUMO Process Control, Inc.**  
 6724 Joy Road  
 East Syracuse, NY 13057, USA  
 Phone: +1 315 437 5866  
 Fax: +1 315 437 5860  
 Email: info.us@jumo.net  
 Internet: www.jumousa.com



## Electrical data

Voltage supply $U_B^a$	
4 to 20 mA, two-wire	DC 10 to 30 V
DC 0.5 to 4.5 V, three-wire	DC 5 V
DC 0 to 10 V, three-wire	DC 11.5 to 30 V
DC 1 to 5 V, three-wire	DC 10 to 30 V
DC 1 to 6 V, three-wire	DC 10 to 30 V
Nominal voltage	DC 24 V
Reverse voltage protection	Yes (except DC 0.5 to 4.5 V, three-wire)
Max. current consumption	25 mA
Electrical circuit	SELV
Requirements	The device must be equipped with an electrical circuit that meets the requirements of EN 61010-1 with regard to "Limited-energy circuits".

<sup>a</sup> Residual ripple: The voltage peaks must not exceed or fall below the specified voltage supply values!

## Electrical connection

For this construction, a stranded PVC cable is encased in an application-oriented protective hose made from either PE or PA.

To prevent moisture penetrating into the protective hose, in this case the pressure equalization hose, the delivery includes a hose end piece with the fitting materials.

Outer diameter	8 mm
Bending radius	Approx. 120 mm
	It is vital to take into account that if the protective hose is kinked or pinched, this will prevent ambient pressure compensation.
Admissible medium temperatures	0 to 50 °C (depending on the medium and the level probe)
Yield stress	
PE protective hose	10 M Pa
PA protective hose	22 M Pa

## Mechanical features

Ensure the medium durability of the material!

Materials	
Process connection	Stainless steel 316 L (G 1/4 inside), Stainless steel 316 Ti (M3 (× 0.5) inside)
Measuring membranes	Stainless steel 316 L
Case	Stainless steel 304
Protective cap	Hard PVC
Protective hose	PE (natural: non UV resistant), PA (natural: non UV resistant; black: UV resistant) The non UV-resistant cable is not suitable for outdoor use.
Weight	90 g (without cable)
Diameter	25 mm

**JUMO GmbH & Co. KG**  
 Delivery address: Mackenrodtstraße 14  
 36039 Fulda, Germany  
 Postal address: 36035 Fulda, Germany  
 Phone: +49 661 6003-0  
 Fax: +49 661 6003-607  
 Email: mail@jumo.net  
 Internet: www.jumo.net

**JUMO Instrument Co. Ltd.**  
 JUMO House  
 Temple Bank, Riverway  
 Harlow, Essex, CM20 2DY, UK  
 Phone: +44 1279 63 55 33  
 Fax: +44 1279 62 50 29  
 Email: sales@jumo.co.uk  
 Internet: www.jumo.co.uk

**JUMO Process Control, Inc.**  
 6724 Joy Road  
 East Syracuse, NY 13057, USA  
 Phone: +1 315 437 5866  
 Fax: +1 315 437 5860  
 Email: info.us@jumo.net  
 Internet: www.jumousa.com



## Environmental influences

Admissible temperatures	
Medium	0 to 50 °C The device must <b>not</b> freeze in the medium! A restriction may be required depending on the medium.
Storage	-20 to +80 °C, dry
Electromagnetic compatibility (EC)	According to DIN EN 61326-1, DIN EN 61326-2-3
Interference emission	Class B <sup>a</sup>
Interference immunity	Industrial requirements
Protection type	IP68, according to DIN EN 60529, submersible to 20 m

<sup>a</sup> The product is suitable for industrial use as well as for households and small businesses.

## Approvals and approval marks

EAC	
Test facility	«Промтехконтроль»
Certificate/certification number	EAЭС N RU Д-DE.PA01.B.80830/21
Inspection basis	TR TS 020/2011
Valid for	Type 401015

**JUMO GmbH & Co. KG**  
 Delivery address: Mackenrodtstraße 14  
 36039 Fulda, Germany  
 Postal address: 36035 Fulda, Germany  
 Phone: +49 661 6003-0  
 Fax: +49 661 6003-607  
 Email: mail@jumo.net  
 Internet: www.jumo.net

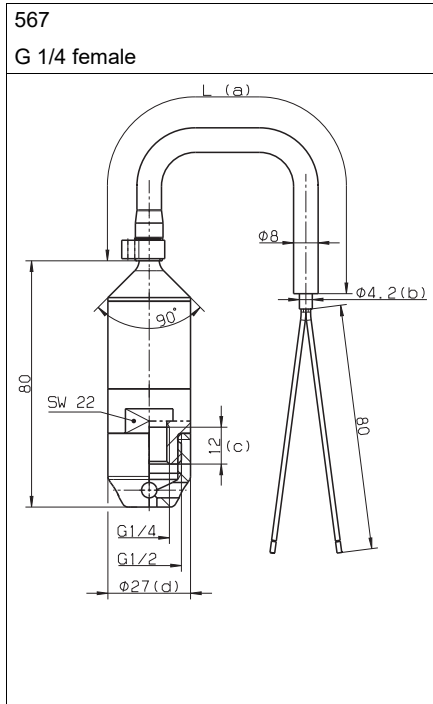
**JUMO Instrument Co. Ltd.**  
 JUMO House  
 Temple Bank, Riverway  
 Harlow, Essex, CM20 2DY, UK  
 Phone: +44 1279 63 55 33  
 Fax: +44 1279 62 50 29  
 Email: sales@jumo.co.uk  
 Internet: www.jumo.co.uk

**JUMO Process Control, Inc.**  
 6724 Joy Road  
 East Syracuse, NY 13057, USA  
 Phone: +1 315 437 5866  
 Fax: +1 315 437 5860  
 Email: info.us@jumo.net  
 Internet: www.jumousa.com

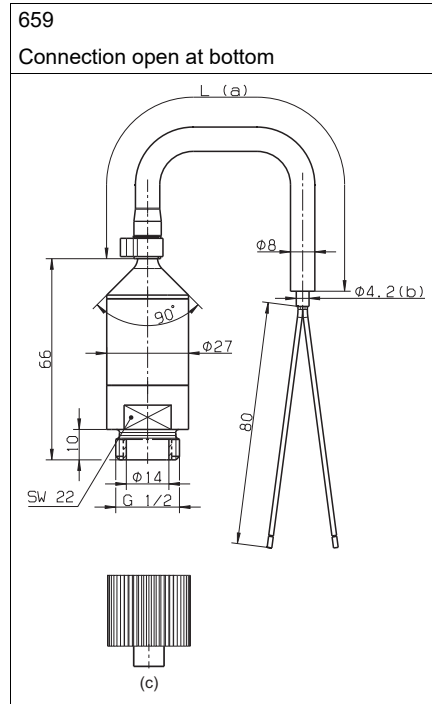


# Dimensions

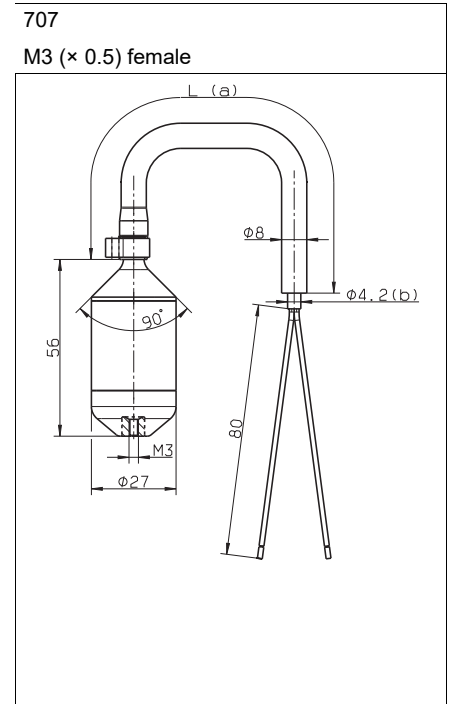
## Process connection



- L (a) Cable length according to customer preference
- (b) Ø 4.6 for three-wire output
- (c) Maximum screw-in depth
- (d) The protective cap has three bore holes (Ø 3) and protects the case against contact corrosion and the sensitive separating membrane.



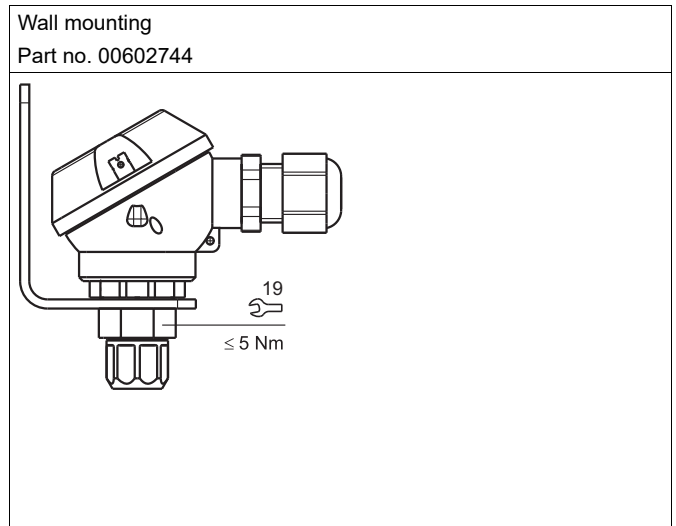
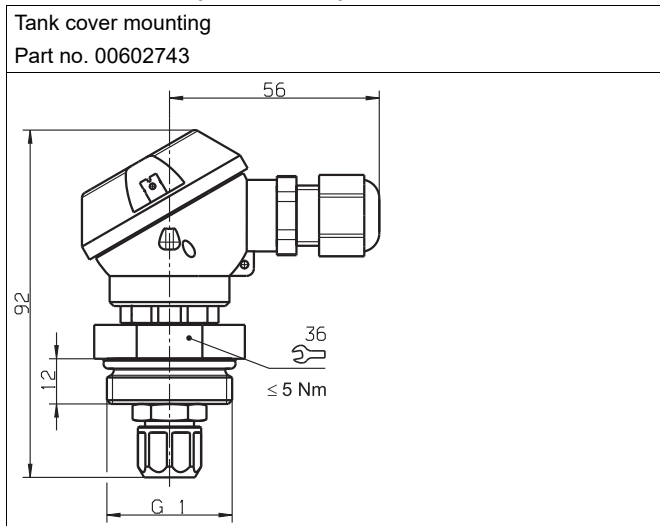
- L (a) Cable length according to customer preference
- (b) Ø 4.6 for three-wire output
- (c) The protective cap is provided for transportation and has to be removed before implementing.



- L (a) Cable length according to customer preference
- (b) Ø 4.6 for three-wire output

## Accessories

### Terminal head for pressure compensation



**JUMO GmbH & Co. KG**  
 Delivery address: Mackenrodtstraße 14  
 36039 Fulda, Germany  
 Postal address: 36035 Fulda, Germany  
 Phone: +49 661 6003-0  
 Fax: +49 661 6003-607  
 Email: mail@jumo.net  
 Internet: www.jumo.net

**JUMO Instrument Co. Ltd.**  
 JUMO House  
 Temple Bank, Riverway  
 Harlow, Essex, CM20 2DY, UK  
 Phone: +44 1279 63 55 33  
 Fax: +44 1279 62 50 29  
 Email: sales@jumo.co.uk  
 Internet: www.jumo.co.uk


**JUMO Process Control, Inc.**  
 6724 Joy Road  
 East Syracuse, NY 13057, USA  
 Phone: +1 315 437 5866  
 Fax: +1 315 437 5860  
 Email: info.us@jumo.net  
 Internet: www.jumousa.com



## Connection diagram

The connection diagram in the data sheet provides information on product selection.

**For the electrical connection, only use the installation instructions or the operating manual.**

Connection		Terminal assignment
		
		Cable <sup>a</sup>
<b>4 to 20 mA, two-wire</b>		
Voltage supply DC 10 to 30 V, Rated voltage supply DC 24 V	$U_{B/S}^{+b}$ 0 V/S-	White Brown
<b>DC 0.5 to 4.5 V, ratiometric</b>		
Voltage supply DC 5 V, Rated voltage supply DC 5 V	$U_B^b$ 0 V/S- S+	White Brown Green
<b>DC 0 to 10 V, three-wire</b>		
Voltage supply DC 11.5 to 30 V, Rated voltage supply DC 24 V	$U_B^b$ 0 V/S- S+	White Brown Green
<b>DC 1 to 5 V, three-wire</b> <b>DC 1 to 6 V, three-wire</b>		
Voltage supply DC 10 to 30 V, Rated voltage supply DC 24 V	$U_B^b$ 0 V/S- S+	White Brown Green

<sup>a</sup> For cable specifications, see installation instructions B 401015.4, chapter 6 "Installation and mounting".

<sup>b</sup> The voltage peaks must not exceed or fall below the specified voltage supply values!

**JUMO GmbH & Co. KG**  
 Delivery address: Mackenrodtstraße 14  
 36039 Fulda, Germany  
 Postal address: 36035 Fulda, Germany  
 Phone: +49 661 6003-0  
 Fax: +49 661 6003-607  
 Email: mail@jumo.net  
 Internet: www.jumo.net

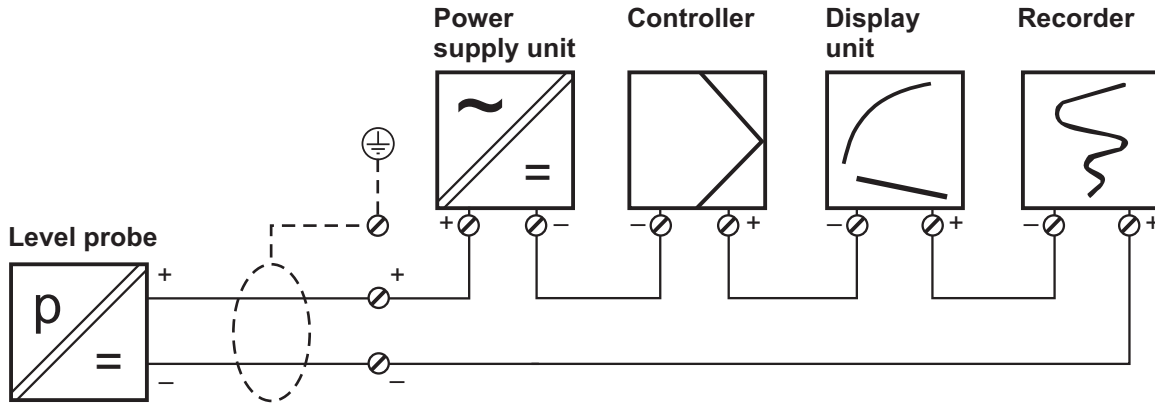
**JUMO Instrument Co. Ltd.**  
 JUMO House  
 Temple Bank, Riverway  
 Harlow, Essex, CM20 2DY, UK  
 Phone: +44 1279 63 55 33  
 Fax: +44 1279 62 50 29  
 Email: sales@jumo.co.uk  
 Internet: www.jumo.co.uk

**JUMO Process Control, Inc.**  
 6724 Joy Road  
 East Syracuse, NY 13057, USA  
 Phone: +1 315 437 5866  
 Fax: +1 315 437 5860  
 Email: info.us@jumo.net  
 Internet: www.jumousa.com

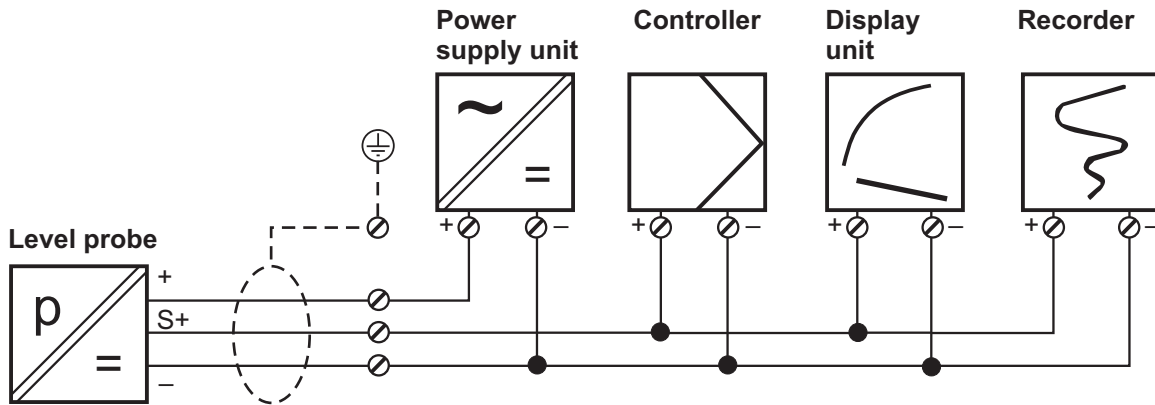


**Connection example**

Current output



Voltage output









**JUMO GmbH & Co. KG**  
 Delivery address: Mackenrodtstraße 14  
 36039 Fulda, Germany  
 Postal address: 36035 Fulda, Germany  
 Phone: +49 661 6003-0  
 Fax: +49 661 6003-607  
 Email: mail@jumo.net  
 Internet: www.jumo.net

**JUMO Instrument Co. Ltd.**  
 JUMO House  
 Temple Bank, Riverway  
 Harlow, Essex, CM20 2DY, UK  
 Phone: +44 1279 63 55 33  
 Fax: +44 1279 62 50 29  
 Email: sales@jumo.co.uk  
 Internet: www.jumo.co.uk


**JUMO Process Control, Inc.**  
 6724 Joy Road  
 East Syracuse, NY 13057, USA  
 Phone: +1 315 437 5866  
 Fax: +1 315 437 5860  
 Email: info.us@jumo.net  
 Internet: www.jumousa.com



## Accessories

Item	Description	Part no.
Terminal head form J for pressure compensation Tank cover mounting 	The terminal head is only suitable for application in the level probe variant JUMO MAERA S25 (type 401015).  It is used to mount the level probes cost-effectively and in the best possible way. Protection type IP 67 is achieved.  By using it locally with the tank mounting or wall mounting versions, a rapid pressure compensation can be achieved and the length of the special cable can be minimized. The costs are thereby reduced as an electric standard cable can be used as the outgoing cable from the terminal head.  Furthermore, the direction (for example to the control cabinet) can be individually specified.	00602743
Wall mounting 		00602744

## Scope of delivery

Item
Hose end piece 
With this device, a standard cable is encased in a protective hose suitable for the application. The hose end piece prevents the hose, which is used as a pressure compensation hose, from being cut off or bent, for example when being routed through a wall. The hose end piece may be used for example in routing through walls in masonry, clamp or cutting ring fittings in a tank, or cable glands in a control cabinet.  The hose end piece is supplied with the device.