

4-6437630-7 ✓ ACTIVE

Alcoswitch

TE Internal #: 4-6437630-7

Rocker Switches, Power, Panel Cutout Size .511 x .62 in [13 x 15.9 mm], Silver, Double Pole - Double Throw Configuration (Pole-Throw), On On, 6 A

[View on TE.com >](#)



Relays, Contactors & Switches > Switches > Rocker Switches



Rocker Switch Type: **Power**

Rocker Switch Mounting Type: **Panel**

Indicator/Imprint Legend: **None**

Panel Cutout Size: **13 x 15.9 mm [.511 x .62 in]**

Switch Contact Plating Material: **Silver**

Features

Product Type Features

Product Type	Switch
Rocker Switch Type	Power
Lamp	Without
Rocker Switch LED	Without
Actuator Type	Top
Actuator Style	Rocker

Configuration Features

Indicator/Imprint Legend	None
Panel Cutout Size	13 x 15.9 mm [.511 x .62 in]
Configuration (Pole-Throw)	Double Pole - Double Throw
Operating Function	On On

Electrical Characteristics

Rocker Switch Voltage Rating	125 VAC, 250 VAC
------------------------------	------------------

Body Features

Body Color	Black
Actuator Color	Red

Contact Features

Switch Contact Plating Material	Silver
---------------------------------	--------



Rocker Switch Contact Current Rating 6 A

Termination Features

Termination Type Lead Wire - Hooking Type

Mechanical Attachment

Mounting Angle Vertical

Rocker Switch Mounting Type Panel

Housing Features

Process Sealed No

Industry Standards

VDE Tested No

Product Compliance

[For compliance documentation, visit the product page on TE.com>](#)

EU RoHS Directive 2011/65/EU Not Yet Reviewed

EU ELV Directive 2000/53/EC Compliant

China RoHS 2 Directive MIIT Order No 32, 2016 No Restricted Materials Above Threshold

EU REACH Regulation (EC) No. 1907/2006
 Current ECHA Candidate List: JAN 2022 (223)
 Candidate List Declared Against: JUN 2018 (191)
 SVHC > Threshold:
 Pb (.11% in Component Part)

Article Safe Usage Statements:
 Do not eat, drink or smoke when using this product. Wash thoroughly after handling. Recycle if possible and dispose of the article by following all applicable governmental regulations relevant to your geographic location.

Halogen Content BFR/CFR/PVC Free, but Br/Cl >900 ppm in other sources.

Solder Process Capability Wave solder capable to 265°C

Product Compliance Disclaimer

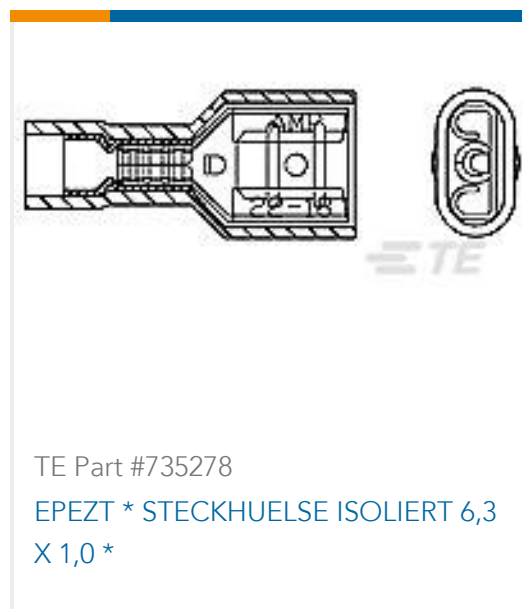
This information is provided based on reasonable inquiry of our suppliers and represents our current actual knowledge based on the information they provided. This information is subject to change. The part numbers that TE has identified as EU RoHS compliant have a maximum concentration of 0.1% by weight in homogenous materials for lead, hexavalent chromium, mercury, PBB, PBDE, DBP, BBP, DEHP, DIBP, and 0.01% for cadmium, or qualify for an exemption to these limits as defined in the Annexes of Directive 2011/65/EU (RoHS2). Finished electrical and electronic equipment products will be CE marked as required by Directive 2011/65/EU. Components may not be CE marked. Additionally, the part numbers that TE has identified as EU ELV compliant have a maximum concentration of 0.1% by weight in homogenous materials for lead, hexavalent chromium, and mercury, and 0.01% for cadmium, or qualify for an exemption to these limits as defined in the Annexes of Directive 2000/53/EC (ELV). Regarding the REACH Regulations, TE's information on SVHC in articles for this part number is still based on the European Chemical Agency (ECHA) 'Guidance on requirements for substances in articles' (Version: 2, April 2011), applying the 0.1% weight on weight concentration threshold at the finished product level. TE is aware of the European Court of Justice ruling of September 10th, 2015 also known as O5A (Once An Article Always An Article) stating that, in case of 'complex object', the threshold for a SVHC must be applied to both the

product as a whole and simultaneously to each of the articles forming part of its composition. TE has evaluated this ruling based on the new ECHA "Guidance on requirements for substances in articles" (June 2017, version 4.0) and will be updating its statements accordingly.

Compatible Parts



Customers Also Bought



Documents

Product Drawings

[FLN29RED04=ROCKER ACTION SWITCH](#)

English

Datasheets & Catalog Pages

[SWITCHES_CORE_PROGRAM_CATALOG](#)

English

[F_SERIES_SWITCHES_QUICK_REF_GUIDE_1-1773458-9](#)

English