

4-520448-2 ✓ ACTIVE

Ultra-Fast | Ultra-Fast 250

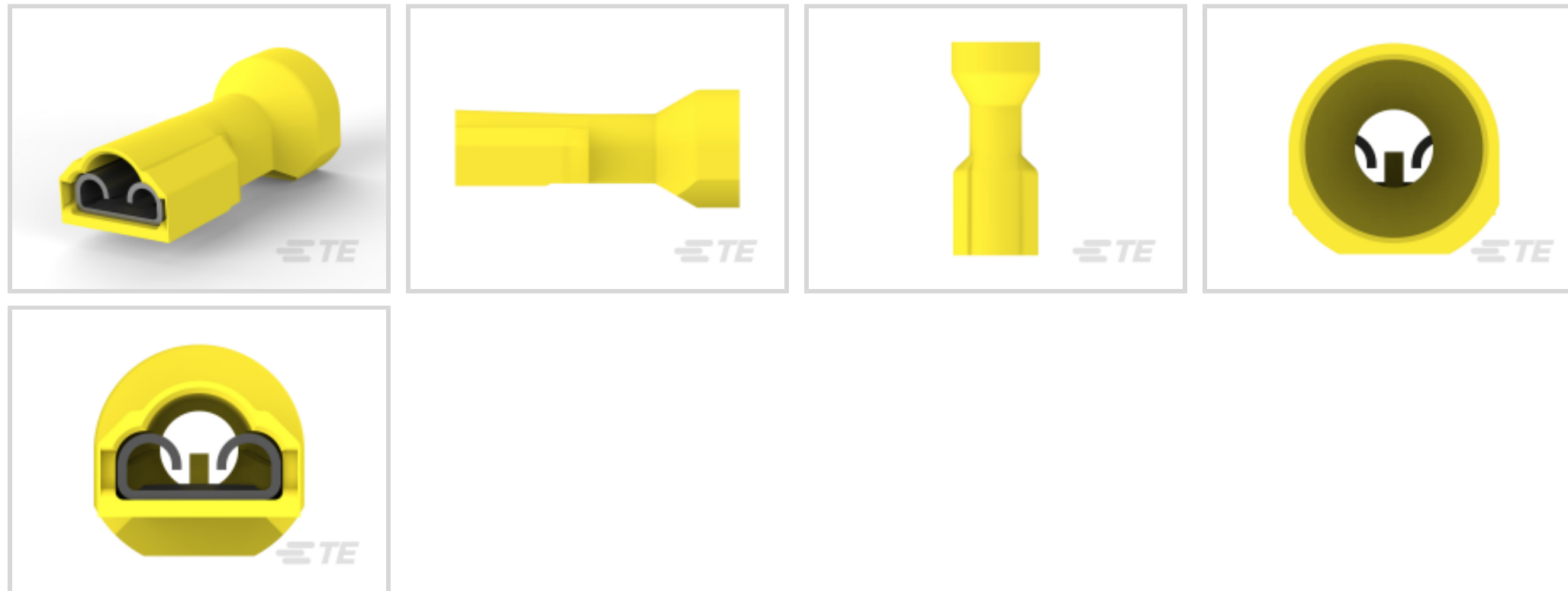
TE Internal #: 4-520448-2

Ultra-Fast 250, Quick Disconnects, Receptacle, 12 – 10 AWG Wire Size, 3.31 – 5.26 mm<sup>2</sup> Wire Size, 6529 – 10382 CMA Wire Size

[View on TE.com >](#)



Terminals & Splices > Quick Disconnects



Quick Disconnect Terminal Type: **Receptacle**

Wire Size: **6529 – 10382 CMA**

Mating Tab Width: **6.35 mm [ .25 in ]**

## Features

### Product Type Features

Terminates To	Wire & Cable
Wire/Cable Type	Regular Wire
Wire Stop	Yes
Insertion Force	Normal
Sealable	No

### Configuration Features

Connection Capacity	Single
---------------------	--------

### Electrical Characteristics

Voltage (Max)	600 V
---------------	-------

### Body Features

Insulation Material	Nylon
---------------------	-------

### Contact Features

Quick Disconnect Terminal Type	Receptacle
Mating Tab Width	6.35 mm [.25 in]
Mating Tab Thickness	.81 mm [.032 in]
Terminal Orientation	Straight



Contact Base Material	Brass
Terminal Plating Material	Tin
Crimp Type	F-Crimp
Barrel Type	Closed

### Mechanical Attachment

Mating Retention Type	Dimple
Wire Insulation Support	With

### Dimensions

Accepts Wire Insulation Diameter Range	8.13 mm[.32 in]
Receptacle Terminal Stock Thickness	.41 mm[.016 in]
Overall Length	23.7 mm[.935 in]
Wire Size	6529 – 10382 CMA

### Usage Conditions

Insulation Requirement	Uninsulated
Operating Temperature Range	-40 – 110 °C[-40 – 230 °F]

### Industry Standards

UL Flammability Rating	UL 94V-2
UL Rating	Listed

### Packaging Features

Packaging Quantity	1000
Packaging Method	Loose Piece/Carton

### Other

Barrel Color	Yellow
--------------	--------

### Product Compliance

[For compliance documentation, visit the product page on TE.com>](#)

EU RoHS Directive 2011/65/EU	Compliant
EU ELV Directive 2000/53/EC	Compliant
China RoHS 2 Directive MIIT Order No 32, 2016	No Restricted Materials Above Threshold
EU REACH Regulation (EC) No. 1907/2006	Current ECHA Candidate List: JAN 2022 (223) Candidate List Declared Against: JAN 2022 (223)



Does not contain REACH SVHC

Halogen Content

Low Halogen - Br, Cl, F, I < 900 ppm per homogenous material. Also BFR/CFR/PVC Free

Solder Process Capability

Not applicable for solder process capability

Product Compliance Disclaimer

This information is provided based on reasonable inquiry of our suppliers and represents our current actual knowledge based on the information they provided. This information is subject to change. The part numbers that TE has identified as EU RoHS compliant have a maximum concentration of 0.1% by weight in homogenous materials for lead, hexavalent chromium, mercury, PBB, PBDE, DBP, BBP, DEHP, DIBP, and 0.01% for cadmium, or qualify for an exemption to these limits as defined in the Annexes of Directive 2011/65/EU (RoHS2). Finished electrical and electronic equipment products will be CE marked as required by Directive 2011/65/EU. Components may not be CE marked. Additionally, the part numbers that TE has identified as EU ELV compliant have a maximum concentration of 0.1% by weight in homogenous materials for lead, hexavalent chromium, and mercury, and 0.01% for cadmium, or qualify for an exemption to these limits as defined in the Annexes of Directive 2000/53/EC (ELV). Regarding the REACH Regulation, the information TE provides on SVHC in articles for this part number is based on the latest European Chemicals Agency (ECHA) 'Guidance on requirements for substances in articles' posted at this URL: <https://echa.europa.eu/guidance-documents/guidance-on-reach>

## Compatible Parts

TE Part # 58630-1  
PROCrimp HT&D 12-10 ULTRAFast

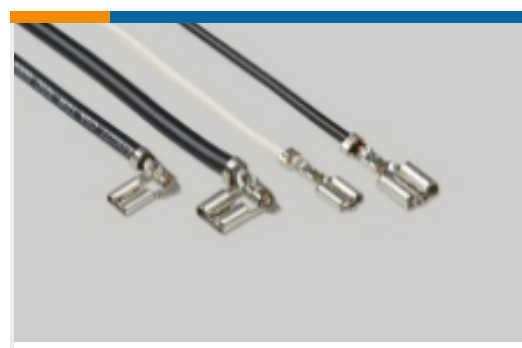
TE Part # 58630-2  
PROCrimp DIESET 12-10 ULTRAFast

TE Part # 224027-1  
DIEs FASTON REC 10AWG DIE SET

TE Part # 2844990-1  
KIT,BTLI,C HEAD

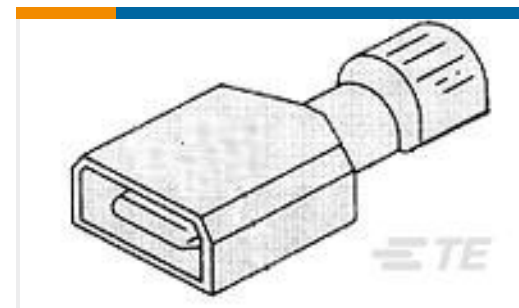
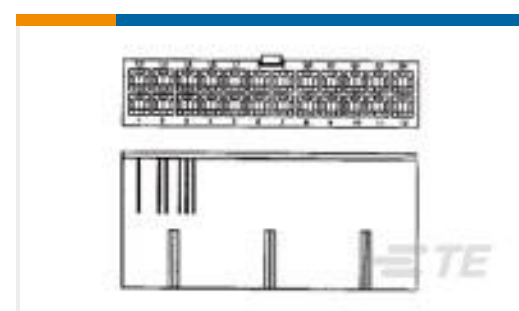
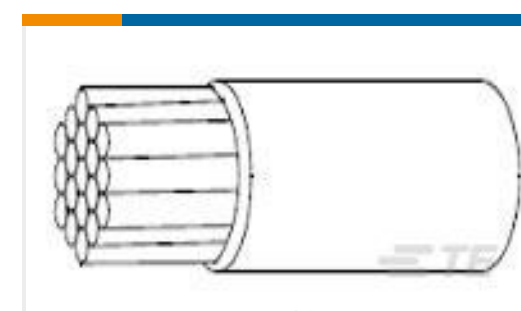
TE Part # 224027-2  
DIEs FASTON REC 12AWG DIE SET

Also in the Series | **Ultra-Fast 250**



Quick Disconnects(49)

## Customers Also Bought

TE Part #58630-1  
PROCRIMP HT&D 12-10 ULTRAFASTTE Part #3-520408-2  
ULTRA-FAST 250 ASSY REC 16-14 AWG TPBRTE Part #4-521098-2  
ULTRA-FAST 250 ASSEMBLY 12-10 AWG TPBRTE Part #7-1879352-5  
RR02 5% 390R AMMOTE Part #61624-3  
RING TERM 12-16 BR W/PAPERTE Part #170073-5  
PIN WITH LANCE .093 REC 24-20 PRE-TPBRTE Part #1-1586000-2  
12P FH PLUG VAL-U-LOK V2TE Part #8989403001  
55A9002-30-3TE Part #0228643001  
55A9002-30-4TE Part #20010725-09  
PRESS XDCR U535D-000005-150PG

## Documents

### Product Drawings

[ULTRAFAST 250 ASSY REC 12-10 TPBR LP](#)

English

### CAD Files

[3D PDF](#)

3D

[Customer View Model](#)

[ENG\\_CVM\\_CVM\\_4-520448-2\\_C.2d\\_dxf.zip](#)



English

Customer View Model

[ENG\\_CVM\\_CVM\\_4-520448-2\\_C.3d\\_igs.zip](#)

English

Customer View Model

[ENG\\_CVM\\_CVM\\_4-520448-2\\_C.3d\\_stp.zip](#)

English

[3D PDF](#)

English

Customer View Model

[ENG\\_CVM\\_4-520448-2\\_H.2d\\_dxf.zip](#)

English

Customer View Model

[ENG\\_CVM\\_4-520448-2\\_H.3d\\_igs.zip](#)

English

Customer View Model

[ENG\\_CVM\\_4-520448-2\\_H.3d\\_stp.zip](#)

English

By downloading the CAD file I accept and agree to the [Terms and Conditions](#) of use.

---

### Datasheets & Catalog Pages

[Ultra-Fast and Ultra Fast Plus](#)

English

---

### Product Specifications

[Application Specification](#)

English

---

### Product Environmental Compliance

[MD\\_4-520448-2\\_10042018035\\_dmtec](#)

English

[MD\\_4-520448-2\\_10042018035\\_dmtec](#)

English

---

### Agency Approvals

[UL](#)

English