

4-1969582-0 ✓ ACTIVE

Economy Power 2.5

TE Internal #: 4-1969582-0

TE Internal Description: ASSY, HDR, VERT, NO-BOSS, DUAL ROW, EP2.5

[View on TE.com >](#)



Product Compliance

[For compliance documentation, visit the product page on TE.com>](#)

EU RoHS Directive 2011/65/EU	Compliant
EU ELV Directive 2000/53/EC	Compliant
China RoHS 2 Directive MIIT Order No 32, 2016	No Restricted Materials Above Threshold
EU REACH Regulation (EC) No. 1907/2006	Current ECHA Candidate List: JUNE 2022 (224) Candidate List Declared Against: JAN 2022 (223) SVHC > Threshold: Not Yet Reviewed
Halogen Content	Low Halogen - Br, Cl, F, I < 900 ppm per homogenous material. Also BFR/CFR/PVC Free
Solder Process Capability	Wave solder capable to 265°C

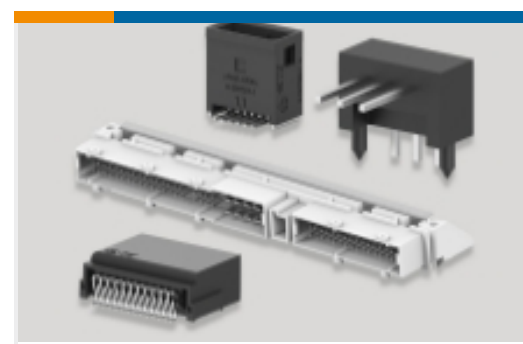
Product Compliance Disclaimer

This information is provided based on reasonable inquiry of our suppliers and represents our current actual knowledge based on the information they provided. This information is subject to change. The part numbers that TE has identified as EU RoHS compliant have a maximum concentration of 0.1% by weight in homogenous materials for lead, hexavalent chromium, mercury, PBB, PBDE, DBP, BBP, DEHP, DIBP, and 0.01% for cadmium, or qualify for an exemption to these limits as defined in the Annexes of Directive 2011/65/EU (RoHS2). Finished electrical and electronic equipment products will be CE marked as required by Directive 2011/65/EU. Components may not be CE marked. Additionally, the part numbers that TE has identified as EU ELV compliant have a maximum concentration of 0.1% by weight in homogenous materials for lead, hexavalent chromium, and mercury, and 0.01% for cadmium, or qualify for an exemption to these limits as defined in the Annexes of Directive 2000/53/EC (ELV). Regarding the REACH Regulation, the information TE provides on SVHC in articles for this part number is based on the latest European Chemicals Agency (ECHA) 'Guidance on requirements for substances in articles' posted at this URL: <https://echa.europa.eu/guidance-documents/guidance-on-reach>

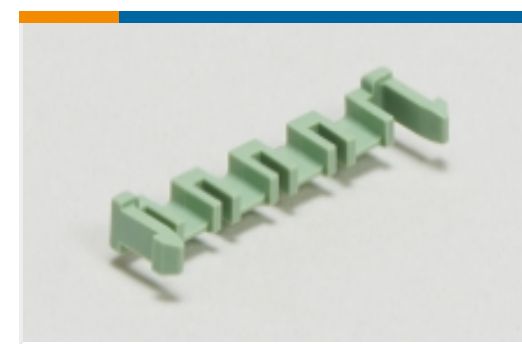
Also in the Series | Economy Power 2.5



Insertion & Extraction Tools(1)



PCB Headers & Receptacles(408)



PCB Latches, Locks & Retainers(49)



Rectangular Power Connectors(43)

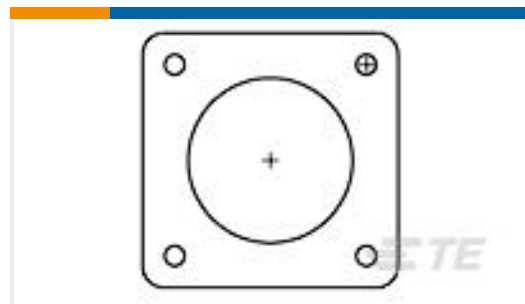


Wire-to-Board Connector Assemblies & Housings(316)



Wire-to-Board Connector Contacts(6)

Customers Also Bought



TE Part #81665-2
FLANGE GASKET CPC



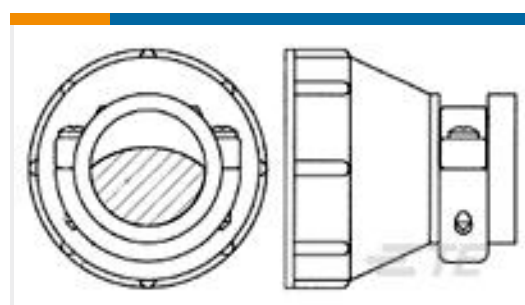
TE Part #206043-1
RECEPT,SZ 17-14 CPC



TE Part #206044-1
CPC PLUG ASSEMBLY SIZE 17-14



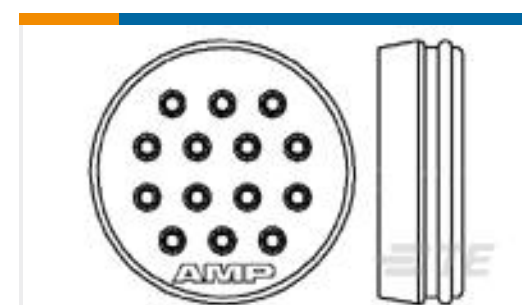
TE Part #3-66104-0
III+ SKT,24-20,TIN ,STRIP



TE Part #213904-3
CPC CABLE CLAMP KIT,STD,SZ 17



TE Part #1-1969540-6
HOUSING, PLUG, 16P,DUAL ROW, EP2.5



TE Part #213919-2
CPC SEAL KIT,UNASSM,SZ 17-14



TE Part #1-1969541-2
RETAINER, TPA, DUAL ROW, EP2.5



TE Part #1-1969541-6
RETAINER, TPA, DUAL ROW, EP2.5



TE Part #NB09542001
ATUM-16/4-0-STK

Documents



Product Drawings

[ASSY, HDR, VERT, NO-BOSS, DUAL ROW,EP2.5](#)

English

CAD Files

[3D PDF](#)

3D

Customer View Model

[ENG_CVM_CVM_4-1969582-0_B.2d_dxf.zip](#)

English

Customer View Model

[ENG_CVM_CVM_4-1969582-0_B.3d_igs.zip](#)

English

Customer View Model

[ENG_CVM_CVM_4-1969582-0_B.3d_stp.zip](#)

English

By downloading the CAD file I accept and agree to the [Terms and Conditions](#) of use.

Datasheets & Catalog Pages

[7-1773461-6_EP2.5_Connector_Series](#)

English

Product Specifications

[Application Specification](#)

English

Instruction Sheets

[Instruction Sheet \(U.S.\)](#)

English

Agency Approvals

[UL Report](#)

English
