



**Kilovac**

TE Internal #: 4-1618002-9

High Voltage Relays, 28 – 1800 kVDC Contact Voltage, 1 Form A, SPST-NO, Flying Leads, Stud Terminals, With Economizer, Auxiliary Contacts

[View on TE.com >](#)

Relays, Contactors & Switches > Relays > High Voltage Relays



Contact Voltage Rating: **28 – 1800 kVDC**

High Voltage Relay Contact Arrangement: **1 Form A, SPST-NO**

High Voltage Connection (Coil): **Flying Leads**

High Voltage Connection (Power): **Stud Terminals**

Economizer: **With**

**Features**

**Product Type Features**

RF Rated	No
Product Type	Relay
Relay Type	High Voltage

**Configuration Features**

Economizer	With
Power Switching	Yes

**Electrical Characteristics**

Contact Voltage Rating	28 – 1800 kVDC
High Voltage Relay Voltage (Max)	320 VDC
High Voltage Relay Coil Voltage Rating	24 VDC
High Voltage Relay Coil Resistance	72 Ω
High Voltage Relay Contact Switching Voltage (Max)	1800

**Contact Features**

High Voltage Relay Contact Arrangement	1 Form A, SPST-NO
Auxiliary Contacts	With
High Voltage Relay Contact Current Rating	600 A
Contact Base Material	Copper

**Termination Features**

High Voltage Connection (Coil)	Flying Leads
High Voltage Connection (Power)	Stud Terminals
Termination Style	Stud Terminals

### Mechanical Attachment

High Voltage Relay Mounting Type	Bottom
----------------------------------	--------

### Product Compliance

[For compliance documentation, visit the product page on TE.com>](#)

EU RoHS Directive 2011/65/EU	Not Compliant
EU ELV Directive 2000/53/EC	Not Compliant
China RoHS 2 Directive MIIT Order No 32, 2016	Restricted Materials Above Threshold
EU REACH Regulation (EC) No. 1907/2006	Current ECHA Candidate List: JAN 2022 (223) Candidate List Declared Against: JAN 2022 (223) Does not contain REACH SVHC
Halogen Content	Low Halogen - Br, Cl, F, I < 900 ppm per homogenous material. Also BFR/CFR/PVC Free
Solder Process Capability	Not applicable for solder process capability

#### Product Compliance Disclaimer

This information is provided based on reasonable inquiry of our suppliers and represents our current actual knowledge based on the information they provided. This information is subject to change. The part numbers that TE has identified as EU RoHS compliant have a maximum concentration of 0.1% by weight in homogenous materials for lead, hexavalent chromium, mercury, PBB, PBDE, DBP, BBP, DEHP, DIBP, and 0.01% for cadmium, or qualify for an exemption to these limits as defined in the Annexes of Directive 2011/65/EU (RoHS2). Finished electrical and electronic equipment products will be CE marked as required by Directive 2011/65/EU. Components may not be CE marked. Additionally, the part numbers that TE has identified as EU ELV compliant have a maximum concentration of 0.1% by weight in homogenous materials for lead, hexavalent chromium, and mercury, and 0.01% for cadmium, or qualify for an exemption to these limits as defined in the Annexes of Directive 2000/53/EC (ELV). Regarding the REACH Regulations, TE's information on SVHC in articles for this part number is still based on the European Chemical Agency (ECHA) 'Guidance on requirements for substances in articles' (Version: 2, April 2011), applying the 0.1% weight on weight concentration threshold at the finished product level. TE is aware of the European Court of Justice ruling of September 10th, 2015 also known as O5A (Once An Article Always An Article) stating that, in case of 'complex object', the threshold for a SVHC must be applied to both the product as a whole and simultaneously to each of the articles forming part of its composition. TE has evaluated this ruling based on the new ECHA "Guidance on requirements for substances in articles" (June 2017, version 4.0) and will be updating its statements accordingly.

### Compatible Parts



TE Part # 1618002-7  
EV200AAANA=RELAY, EV200 SPST-N

## Customers Also Bought



TE Part #36203  
TERMINAL,PIDG R 16-14HD 1/2



TE Part #1879071-7  
THS50 R33 5%



TE Part #1490413-3  
HYP10 SOLIS 4AWG NEST



TE Part #1490414-3  
HYP10 SOLIS HD 1/0AWG INDENTER



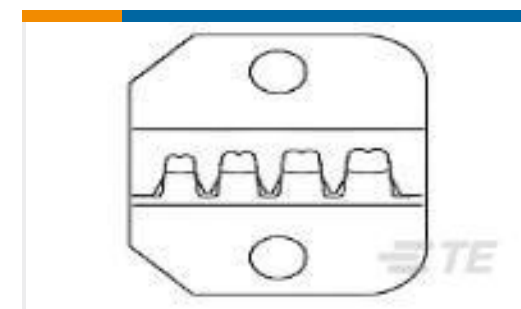
TE Part #9-1478240-0  
SDE SA PEW12 HAND TOOL FRAME-NO DIES



TE Part #1-1625984-7  
HSA50 1K0 5%



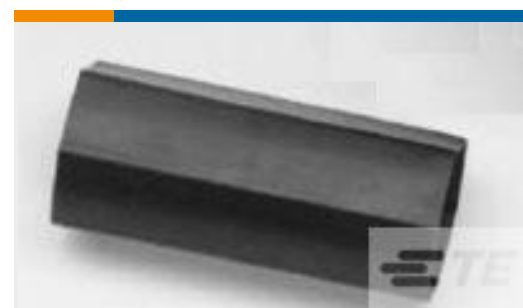
TE Part #1490413-6  
HYP10 SOLIS 2/0AWG NEST



TE Part #91901-1  
PREMIUM SDE DIE,BNC RG 55B



TE Part #9-1393139-2  
MDR-67-2=MDR



TE Part #134710-000  
HRHT-2/3

## Documents

### CAD Files

3D PDF

3D

### Customer View Model

[ENG\\_CVM\\_CVM\\_4-1618002-9\\_G.2d\\_dxf.zip](#)

English

### Customer View Model

[ENG\\_CVM\\_CVM\\_4-1618002-9\\_G.3d\\_igs.zip](#)

English



### Customer View Model

[ENG\\_CVM\\_CVM\\_4-1618002-9\\_G.3d\\_stp.zip](#)

English

By downloading the CAD file I accept and agree to the [Terms and Conditions](#) of use.

### Datasheets & Catalog Pages

[5-1773450-5\\_sec7\\_EV500](#)

English