

# TRD11D10WL ✓ ACTIVE

Alcoswitch | Alcoswitch TRD

TE Internal #: 4-1437595-1

Alcoswitch TRD, Rocker Switches, Power, Panel Cutout Size .445 x .475 in [11.3 x 12.06 mm], Gold

[View on TE.com >](#)



Relays, Contactors & Switches > Switches > Rocker Switches



Rocker Switch Type: **Power**

Rocker Switch Mounting Type: **15/32" (Round Hole)**

Indicator/Imprint Legend: **None**

Panel Cutout Size: **11.3 x 12.06 mm [ .445 x .475 in ]**

Switch Contact Plating Material: **Gold**

## Features

### Product Type Features

Product Type	Switch
Rocker Switch Type	Power
Lamp	Without
Rocker Switch LED	Without
Actuator Type	Top
Actuator Style	Rocker

### Configuration Features

Indicator/Imprint Legend	None
Panel Cutout Size	11.3 x 12.06 mm [.445 x .475 in]
Configuration (Pole-Throw)	Single Pole - Double Throw
Operating Function	On None On

### Electrical Characteristics

Rocker Switch Voltage Rating	20 VDC
------------------------------	--------

### Body Features

Actuator Color	Black
----------------	-------

### Contact Features

Switch Contact Plating Material	Gold
Rocker Switch Contact Current Rating	.4 A



### Termination Features

Termination Type	Wire Lugs
------------------	-----------

### Mechanical Attachment

Mounting Angle	Vertical
Rocker Switch Mounting Type	15/32" (Round Hole)

### Housing Features

Process Sealed	No
----------------	----

### Industry Standards

VDE Tested	No
------------	----

## Product Compliance

[For compliance documentation, visit the product page on TE.com>](#)

EU RoHS Directive 2011/65/EU	Compliant with Exemptions
EU ELV Directive 2000/53/EC	Compliant with Exemptions
China RoHS 2 Directive MIIT Order No 32, 2016	Restricted Materials Above Threshold
EU REACH Regulation (EC) No. 1907/2006	Current ECHA Candidate List: JAN 2022 (223) Candidate List Declared Against: JAN 2022 (223) SVHC > Threshold: Pb (3.7% in Component Part) <b>Article Safe Usage Statements:</b> Do not eat, drink or smoke when using this product. Wash thoroughly after handling. Recycle if possible and dispose of the article by following all applicable governmental regulations relevant to your geographic location.
Halogen Content	Not Low Halogen - contains Br or Cl > 900 ppm.
Solder Process Capability	Wave solder capable to 265°C

#### Product Compliance Disclaimer

This information is provided based on reasonable inquiry of our suppliers and represents our current actual knowledge based on the information they provided. This information is subject to change. The part numbers that TE has identified as EU RoHS compliant have a maximum concentration of 0.1% by weight in homogenous materials for lead, hexavalent chromium, mercury, PBB, PBDE, DBP, BBP, DEHP, DIBP, and 0.01% for cadmium, or qualify for an exemption to these limits as defined in the Annexes of Directive 2011/65/EU (RoHS2). Finished electrical and electronic equipment products will be CE marked as required by Directive 2011/65/EU. Components may not be CE marked. Additionally, the part numbers that TE has identified as EU ELV compliant have a maximum concentration of 0.1% by weight in homogenous materials for lead, hexavalent chromium, and mercury, and 0.01% for cadmium, or qualify for an exemption to these limits as defined in the Annexes of Directive 2000/53/EC (ELV). Regarding the REACH Regulation, the information TE provides on SVHC in articles for this part number is based on the latest European Chemicals Agency (ECHA) 'Guidance on requirements for substances in articles' posted at this URL: <https://echa.europa.eu/guidance-documents/guidance-on-reach>

## Compatible Parts



TE Part # 1825423-1  
TRD23N10QC04 rocker switch



TE Part # 1825421-1  
TRD23N10WL04 rocker switch



TE Part # 5-1437595-6  
TRD11G10WL=ROCKER SW SPDT (ON)



TE Part # 1825422-1  
TRD13D10QC04 rocker switch



TE Part # 1825420-1  
TRD13D10WL04 rocker switch



TE Part # 1825426-1  
TRD13D10WLLR204 rocker switch



TE Part # 1825426-2  
TRD13D10WLLR2504 rocker switch



TE Part # 1437596-3  
TRD21N10WL=DPDT ROCKER BLACK



TE Part # 3-1437596-5  
TRD23P10WL="ROCKER, 3 POS.,DPD



TE Part # 5-1437595-2  
TRD11F10WL=SUB MINI ROCKER BLA



TE Part # 5-1437595-9  
TRD11H10WL=ROCKER GOLD ON OFF



TE Part # 4-1437595-2  
TRD11D10WLLR5=SP ROCKER LIGHTE



TE Part # 6-1437595-6  
TRD13D10WL=ROCKER,SPDT,BLACK



TE Part # 1825426-3  
TRD13D10WLLR504 rocker switch



TE Part # 8-1437595-9  
TRD13F10WL=TINY ROCKER SPDT



TE Part # 1825421-2  
TRD23P10WL04



TE Part # 1-1437596-9  
TRD23N10WL=ROCKER,DPDT, BLACK



TE Part # 1825425-1  
TRD11F10QCLR204 rocker switch

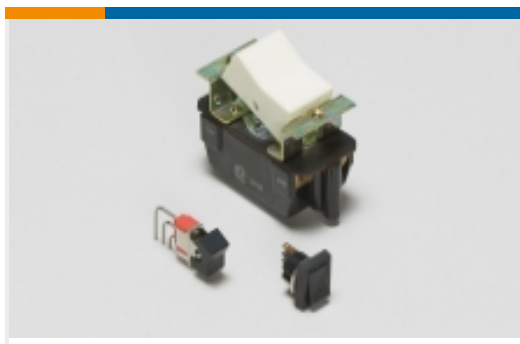


TE Part # 1825420-3  
TRD13G10WL04 rocker switch



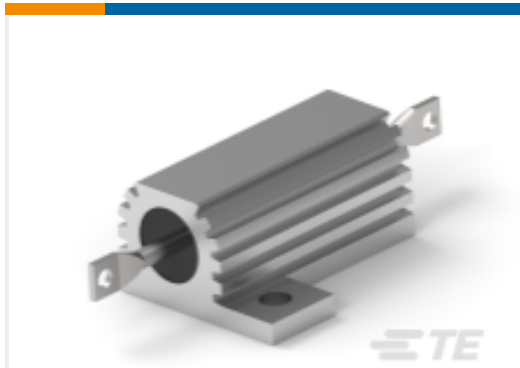
TE Part # 1825426-5  
TRD13G10WLLR204 rocker switch

Also in the Series | [Alcoswitch TRD](#)

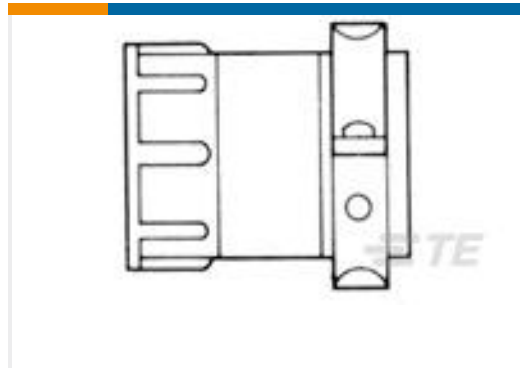


Rocker Switches(42)

## Customers Also Bought



TE Part #1-1879075-3  
Power Resistor: Aluminum Housed, 75 Watt



TE Part #206512-5  
CLAMP,CABLE SHELL,SIZE 23



TE Part #1-1393122-6  
KHAU-11D12-12=KH



TE Part #HDP24-24-47SE  
REC, 47P, BLK, E, 16/20, S

## Documents

### Product Drawings

[TRD11D10WL=SPDT ROCKER BLACK](#)

English

### CAD Files

[3D PDF](#)

3D

Customer View Model

[ENG\\_CVM\\_CVM\\_4-1437595-1\\_99\\_c-4-1437595-1-99.2d\\_dxf.zip](#)

English

Customer View Model

[ENG\\_CVM\\_CVM\\_4-1437595-1\\_99\\_c-4-1437595-1-99.3d\\_igs.zip](#)

English

Customer View Model

[ENG\\_CVM\\_CVM\\_4-1437595-1\\_99\\_c-4-1437595-1-99.3d\\_stp.zip](#)

English

By downloading the CAD file I accept and agree to the [Terms and Conditions](#) of use.

### Datasheets & Catalog Pages

[SWITCHES\\_CORE\\_PROGRAM\\_CATALOG](#)

English

### Product Environmental Compliance

[Product Compliance](#)

English

[Product Compliance](#)

TRD11D10WL

Alcoswitch TRD, Rocker Switches, Power, Panel Cutout Size .445 x .475 in [11.3 x 12.06 mm], Gold



English