



Relays, Contactors & Switches > Switches > Push Button Switches



Configuration (Pole-Throw): **Double Pole - Double Throw**

Push Button Switch Product Type: **Switch**

Number of Actuators: **Single**

Actuator Profile: **Extended**

Bushing Style: **Threaded**

## Features

### Product Type Features

Switch Type	Pushbutton
Dust Proof	No
Push Button Switch Product Type	Switch
Illuminated	No
Actuator Style	Cap - Order Separately

### Configuration Features

ESD Grounding Terminal	Without
Ganged	No
Configuration (Pole-Throw)	Double Pole - Double Throw
Number of Actuators	Single
Snap Action	Without
Support Bracket	Without
Tactile	No
Operating Function	Push-On/Push-Off

### Electrical Characteristics

Push Button Switch Voltage Rating	28 VDC
-----------------------------------	--------

### Body Features

Seal Type	IP65
-----------	------



Actuator Force	590 – 1224 g[20.8 – 43.18 oz]
Case Material	Thermoset
Actuator Material	Nickel-Plated Copper Alloy
Actuator Profile	Extended
Bushing Style	Threaded
Bushing Thread Size	1/4-40

#### Contact Features

Contact Base Material	Silver Clad Copper
Push Button Switch Contact Current Rating	6 A
Switch Contact Plating Material	Silver Clad with Gold Flash

#### Termination Features

Termination Type	Wire Lugs
------------------	-----------

#### Mechanical Attachment

Mounting Angle	Vertical
Screw & Hole Thread Size	1/4-40 UNS-2A
Push Button Switch Mounting Type	Panel

#### Housing Features

Low Profile	No
Process Sealed	No

#### Dimensions

Actuator Length	12.19 mm[.48 in]
Bushing Length	7.11 mm[.28 in]

#### Usage Conditions

Temperature Rating	Standard
--------------------	----------

#### Packaging Features

Packaging Method	Bulk
------------------	------

#### Other

Comment	O-ring on shoulder and inside moveable shaft provides splash proof seal., Order cap model C22 or C23.
---------	---

#### Product Compliance

For compliance documentation, visit the product page on [TE.com](https://www.te.com)>



EU RoHS Directive 2011/65/EU	Compliant
EU ELV Directive 2000/53/EC	Compliant with Exemptions
China RoHS 2 Directive MIIT Order No 32, 2016	No Restricted Materials Above Threshold
EU REACH Regulation (EC) No. 1907/2006	<p>Current ECHA Candidate List: JAN 2022 (223)</p> <p>Candidate List Declared Against: JAN 2021 (211)</p> <p>SVHC &gt; Threshold:</p> <p>Pb (3.7% in component)</p> <p><b>Article Safe Usage Statements:</b> Do not eat, drink or smoke when using this product. Wash thoroughly after handling. Recycle if possible and dispose of the article by following all applicable governmental regulations relevant to your geographic location.</p>
Halogen Content	Not Yet Reviewed for halogen content
Solder Process Capability	Wave solder capable to 240°C

Product Compliance Disclaimer

This information is provided based on reasonable inquiry of our suppliers and represents our current actual knowledge based on the information they provided. This information is subject to change. The part numbers that TE has identified as EU RoHS compliant have a maximum concentration of 0.1% by weight in homogenous materials for lead, hexavalent chromium, mercury, PBB, PBDE, DBP, BBP, DEHP, DIBP, and 0.01% for cadmium, or qualify for an exemption to these limits as defined in the Annexes of Directive 2011/65/EU (RoHS2). Finished electrical and electronic equipment products will be CE marked as required by Directive 2011/65/EU. Components may not be CE marked. Additionally, the part numbers that TE has identified as EU ELV compliant have a maximum concentration of 0.1% by weight in homogenous materials for lead, hexavalent chromium, and mercury, and 0.01% for cadmium, or qualify for an exemption to these limits as defined in the Annexes of Directive 2000/53/EC (ELV). Regarding the REACH Regulation, the information TE provides on SVHC in articles for this part number is based on the latest European Chemicals Agency (ECHA) 'Guidance on requirements for substances in articles' posted at this URL: <https://echa.europa.eu/guidance-documents/guidance-on-reach>

## Compatible Parts



Also in the Series | [Alcoswitch MPE](#)



Push Button Switches(7)



Rectangular Power Connectors(6)

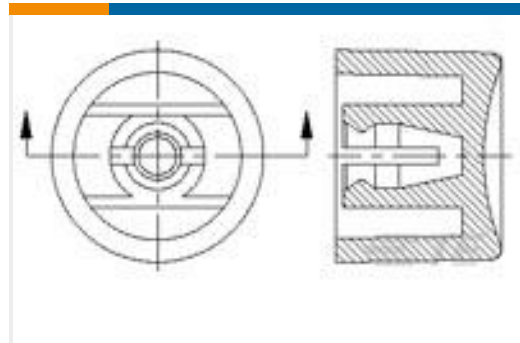
## Customers Also Bought



TE Part #0460-215-16141  
PIN, SOLID, SIZE 16, 14AWG, NI



TE Part #4-1437567-3  
MPE106F=SWITCH PUSH BUTTON  
WAT



TE Part #1825068-1  
C22004 CAP BLACK



TE Part #DT06-3S-PP01  
DEUTSCH DT Series Housings &  
Connectors



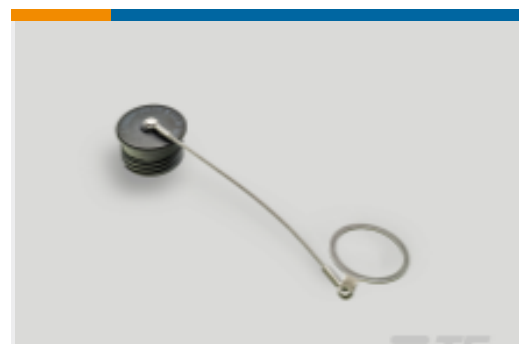
TE Part #DTP04-2P-E003  
REC, 2P, GRY, N, CAP



TE Part #W2S-P012  
WEDGE LOCK, 2P, PLG, GRN, SL RET,  
DT



TE Part #0660-206-0882  
CONT PIN



TE Part #YDTS32W19NV0010000  
DUST COVER ASSEM

## Documents

### Product Drawings

[MPE206N=\(MSPE\) SW P/B WATERPRO](#)

English

### CAD Files

[3D PDF](#)

3D

Customer View Model

[ENG\\_CVM\\_CVM\\_4-1437567-4\\_B.2d\\_dxf.zip](#)

English

Customer View Model

[ENG\\_CVM\\_CVM\\_4-1437567-4\\_B.3d\\_igs.zip](#)

English

Customer View Model

[ENG\\_CVM\\_CVM\\_4-1437567-4\\_B.3d\\_stp.zip](#)

English

By downloading the CAD file I accept and agree to the [Terms and Conditions](#) of use.



---

[Datasheets & Catalog Pages](#)

[2-1773458-6\\_GREEN\\_SERIES\\_SWITCHES](#)

English