



Relays, Contactors & Switches > Switches > Push Button Switches



Configuration (Pole-Throw): **Single Pole - Double Throw**

Push Button Switch Product Type: **Switch**

Number of Actuators: **Single**

Actuator Profile: **Extended**

Bushing Style: **Threaded**

## Features

### Product Type Features

Switch Type	Pushbutton
Dust Proof	No
Push Button Switch Product Type	Switch
Illuminated	No
Actuator Style	Cap - Order Separately

### Configuration Features

ESD Grounding Terminal	Without
Ganged	No
Configuration (Pole-Throw)	Single Pole - Double Throw
Number of Actuators	Single
Snap Action	Without
Support Bracket	Without
Tactile	No
Operating Function	Momentary

### Electrical Characteristics

Push Button Switch Voltage Rating	28 VDC
-----------------------------------	--------

### Body Features

Seal Type	IP65
-----------	------



Actuator Force	590 – 1224 g[20.8 – 43.18 oz]
Case Material	Thermoset
Actuator Material	Nickel-Plated Copper Alloy
Actuator Profile	Extended
Bushing Style	Threaded
Bushing Thread Size	1/4-40
Actuator Color	Natural

### Contact Features

Contact Base Material	Silver Clad Copper
Push Button Switch Contact Current Rating	6 A
Switch Contact Plating Material	Silver Clad with Gold Flash

### Termination Features

Termination Type	Wire Lugs
------------------	-----------

### Mechanical Attachment

Mounting Angle	Vertical
Screw & Hole Thread Size	1/4-40 UNS-2A
Push Button Switch Mounting Type	Panel

### Housing Features

Low Profile	No
Process Sealed	No

### Dimensions

Actuator Length	12.19 mm[.48 in]
Bushing Length	7.11 mm[.28 in]

### Usage Conditions

Temperature Rating	Standard
--------------------	----------

### Packaging Features

Packaging Method	Bulk
------------------	------

### Other

Comment	O-ring on shoulder and inside moveable shaft provides splash proof seal., Order cap model C22 or C23.
---------	---



## Product Compliance


[For compliance documentation, visit the product page on TE.com>](#)

EU RoHS Directive 2011/65/EU	Compliant
EU ELV Directive 2000/53/EC	Compliant with Exemptions
China RoHS 2 Directive MIIT Order No 32, 2016	No Restricted Materials Above Threshold
EU REACH Regulation (EC) No. 1907/2006	Current ECHA Candidate List: JAN 2022 (223) Candidate List Declared Against: JAN 2021 (211) SVHC > Threshold: Pb (3.7% in component) <b>Article Safe Usage Statements:</b> Do not eat, drink or smoke when using this product. Wash thoroughly after handling. Recycle if possible and dispose of the article by following all applicable governmental regulations relevant to your geographic location.
Halogen Content	Not Low Halogen - contains Br or Cl > 900 ppm.
Solder Process Capability	Wave solder capable to 240°C

### Product Compliance Disclaimer

This information is provided based on reasonable inquiry of our suppliers and represents our current actual knowledge based on the information they provided. This information is subject to change. The part numbers that TE has identified as EU RoHS compliant have a maximum concentration of 0.1% by weight in homogenous materials for lead, hexavalent chromium, mercury, PBB, PBDE, DBP, BBP, DEHP, DIBP, and 0.01% for cadmium, or qualify for an exemption to these limits as defined in the Annexes of Directive 2011/65/EU (RoHS2). Finished electrical and electronic equipment products will be CE marked as required by Directive 2011/65/EU. Components may not be CE marked. Additionally, the part numbers that TE has identified as EU ELV compliant have a maximum concentration of 0.1% by weight in homogenous materials for lead, hexavalent chromium, and mercury, and 0.01% for cadmium, or qualify for an exemption to these limits as defined in the Annexes of Directive 2000/53/EC (ELV). Regarding the REACH Regulation, the information TE provides on SVHC in articles for this part number is based on the latest European Chemicals Agency (ECHA) 'Guidance on requirements for substances in articles' posted at this URL: <https://echa.europa.eu/guidance-documents/guidance-on-reach>

## Compatible Parts

 <p>TE Part # 4-1437567-9 MPG106D=(MSPG) SWITCH PUSHBUTT</p>	 <p>TE Part # 5-1437567-0 MPG106F=(MSPG) SWITCH PUSHBUTT</p>	 <p>TE Part # 3-1437567-3 MPA206R=SW P/B MOM DPDT</p>	 <p>TE Part # 2-1437567-9 MPA106F=SWITCH P/B MOM SPDT</p>
---	---	--	--




TE Part # 3-1437567-8  
MPA406R=SW P/B MOM 4PDT



TE Part # 5-1437567-4  
MPG206RPC=(MSPG) SW P/B DPDT P



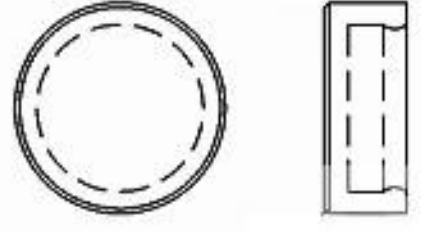
TE Part # 5-1437567-5  
MPG306D=(MSPG) SW PUSHBUTTON



TE Part # 5-1437567-7  
MPG406N=(MSPG) SW PUSHBUTTON



TE Part # 5-1437567-8  
MPG406R=(MSPG) SW PUSHBUTTON



TE Part # 7-1437627-1  
C90=C-9 BLACK



TE Part # 5-1437567-6  
MPG306F=(MSPG) SW PUSHBUTTON



TE Part # 5-1437567-3  
MPG206R=(MSPG) SW PUSHBUTTON



TE Part # 5-1437567-1  
MPG206N=SWITCH PUSHBUTTON



TE Part # 4-1437567-4  
MPE206N=(MSPE) SW P/B WATERPRO




TE Part # 5-1437567-2  
MPG206NPC=(MSPG) SW P/B DPDT P




TE Part # 7-1437627-4  
C99=C-9 WHITE

Also in the Series | Alcoswitch MPE



Push Button Switches(7)



Rectangular Power Connectors(6)

Customers Also Bought



TE Part #1982299-6  
ELCON MINI 2P CABLE CONN,W/O ,  
FLUSHED



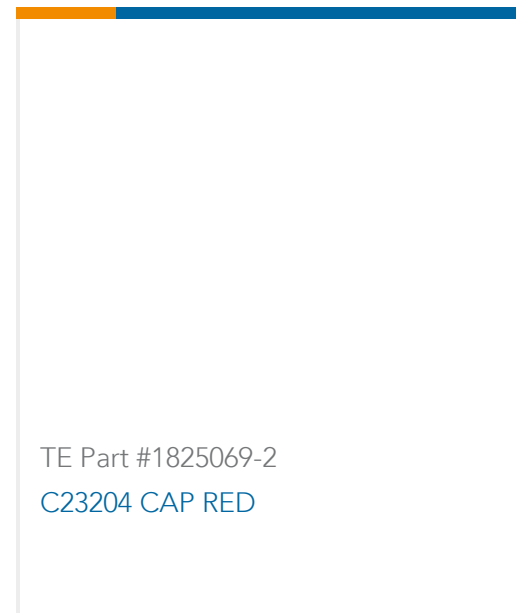
TE Part #66358-5  
III+ SKT,18-14,30AU>10,STRIP



TE Part #YACT26MA35BN000000  
STRAIGHT PLUG



TE Part #YACT26MA98BN000000  
STRAIGHT PLUG



## Documents

### Product Drawings

[MPE106F=SWITCH PUSH BUTTON WAT](#)

English

### CAD Files

[3D PDF](#)

3D

Customer View Model

[ENG\\_CVM\\_CVM\\_4-1437567-3\\_B.2d\\_dxf.zip](#)

English

Customer View Model

[ENG\\_CVM\\_CVM\\_4-1437567-3\\_B.3d\\_igs.zip](#)

English

Customer View Model

[ENG\\_CVM\\_CVM\\_4-1437567-3\\_B.3d\\_stp.zip](#)

English

By downloading the CAD file I accept and agree to the [Terms and Conditions](#) of use.

### Datasheets & Catalog Pages

[2-1773458-6\\_GREEN\\_SERIES\\_SWITCHES](#)

English