

STAND-ALONE INSTALLATION SUPPORT FOR  
3RU21/3RB30/3RB31 SZ S00,  
STAND-ALONE INSTALLATION MAIN CIRCUIT: SCREW  
TERMINAL AUX. CIRCUIT: --

### General technical data:

<b>Product brand name</b>		SIRIUS
<b>product designation</b>		individual mount
<b>Size of overload relay</b>		S00
<b>Ambient temperature</b>		
• during storage	°C	-55 ... +80
• during operating	°C	-20 ... +70

### Installation/mounting/dimensions:

<b>Type of mounting</b>		screw and snap-on mounting onto 35 mm standard mounting rail
<b>Width</b>	mm	45
<b>Height</b>	mm	86
<b>Depth</b>	mm	75

### Connections:

<b>Design of the electrical connection</b>		
• for main current circuit		screw-type terminals
<b>Type of the connectable conductor cross-section</b>		
• for main contacts		
• solid		0.5 ... 4 mm <sup>2</sup>

- stranded
- finely stranded
  - with conductor end processing
- for AWG conductors
- for main contacts

0.5 ... 4 mm<sup>2</sup>

0.5 ... 2.5 mm<sup>2</sup>

1x (20 ... 12)

### General Product Approval



[ROSTEST](#)



### Test Certificates

[Manufacturer](#)

### Shipping Approval



ABS

DNV

GL

LRS

### Further information:

#### Information- and Downloadcenter (Catalogs, Brochures,...)

<http://www.siemens.com/industrial-controls/catalogs>

#### Industry Mall (Online ordering system)

<http://www.siemens.com/industrial-controls/mall>

#### CAX-Online-Generator

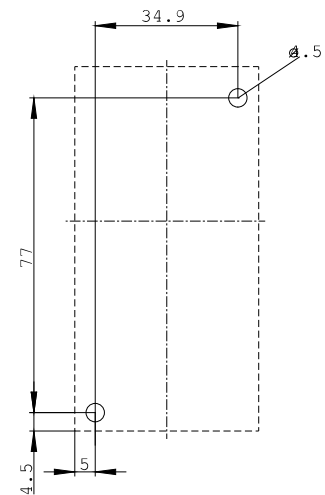
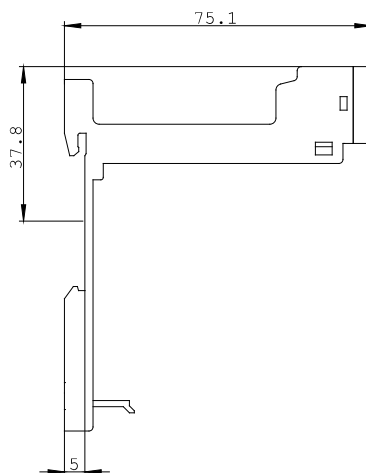
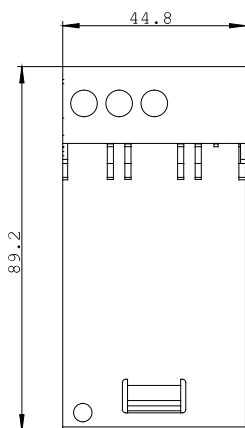
<http://www.siemens.com/cax>

#### Service&Support (Manuals, Certificates, Characteristics, FAQs,...)

<http://support.automation.siemens.com/WWW/view/en/3RU2916-3AA01/all>

#### Image database (product images, 2D dimension drawings, 3D models, device circuit diagrams, ...)

[http://www.automation.siemens.com/bilddb/cax\\_en.aspx?mlfb=3RU2916-3AA01](http://www.automation.siemens.com/bilddb/cax_en.aspx?mlfb=3RU2916-3AA01)



last change:

Oct 31, 2011