

Standard actuator Plastic 40 mm long, for position switch with separate actuator 3SE51/3SE52 and AS-i 3SF11/3SF12



Product brand name	SIRIUS
Product designation	actuator
Product type designation	3SE5

### General technical data

<b>Shock resistance</b>	
• acc. to IEC 60068-2-27	30 g / 11 ms
<b>Vibration resistance</b>	
• acc. to IEC 60068-2-6	0.35 mm/5g
<b>Mechanical service life (switching cycles)</b>	
• typical	1 000 000
<b>Active principle</b>	mechanical

### Drive Head

<b>Design of the operating mechanism</b>	Standard actuator, plastic
--	----------------------------

### Ambient conditions

<b>Ambient temperature</b>	
• during operation	-25 ... +85 °C
• during storage	-40 ... +90 °C

## Installation/ mounting/ dimensions

Mounting position	any
Mounting type	screw fixing

## Certificates/approvals

General Product Approval	Functional Safety/Safety of Machinery	other
--------------------------	---------------------------------------	-------



CSA



UR



[Type Examination Certificate](#)

[Confirmation](#)

## Further information

### Information- and Downloadcenter (Catalogs, Brochures,...)

<http://www.siemens.com/industrial-controls/catalogs>

### Industry Mall (Online ordering system)

<https://mall.industry.siemens.com/mall/en/en/Catalog/product?mfb=3SE5000-0AW11>

### Cax online generator

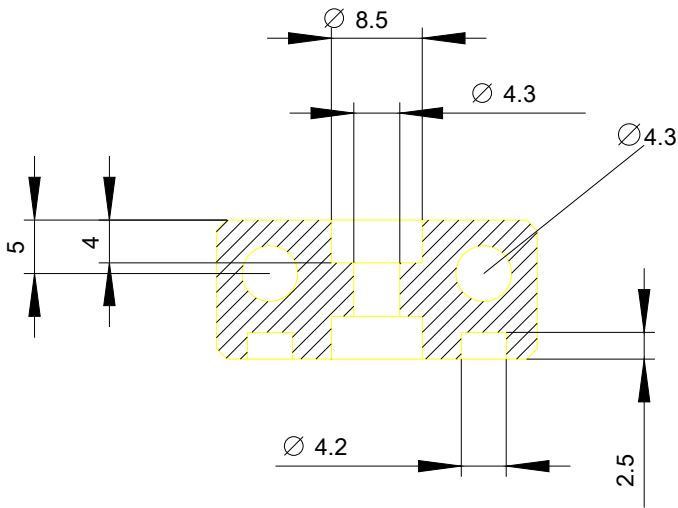
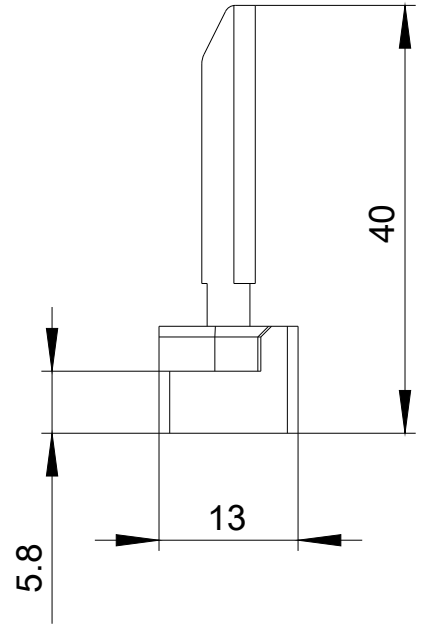
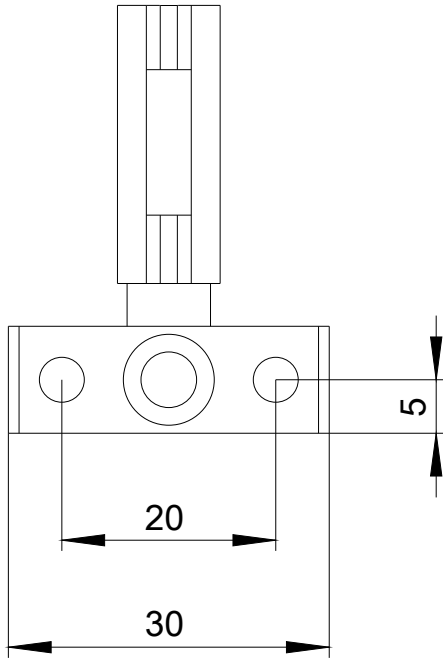
<http://support.automation.siemens.com/WW/CAXorder/default.aspx?lang=en&mfb=3SE5000-0AW11>

### Service&Support (Manuals, Certificates, Characteristics, FAQs,...)

<https://support.industry.siemens.com/cs/ww/en/ps/3SE5000-0AW11>

### Image database (product images, 2D dimension drawings, 3D models, device circuit diagrams, EPLAN macros, ...)

[http://www.automation.siemens.com/bilddb/cax\\_de.aspx?mfb=3SE5000-0AW11&lang=en](http://www.automation.siemens.com/bilddb/cax_de.aspx?mfb=3SE5000-0AW11&lang=en)



last modified:

11/17/2018