

Link module Electrical and mechanical for 3RV2.3 and 3RT2.3. and soft starter 3RW303/3RW403 (individual unit packaging)

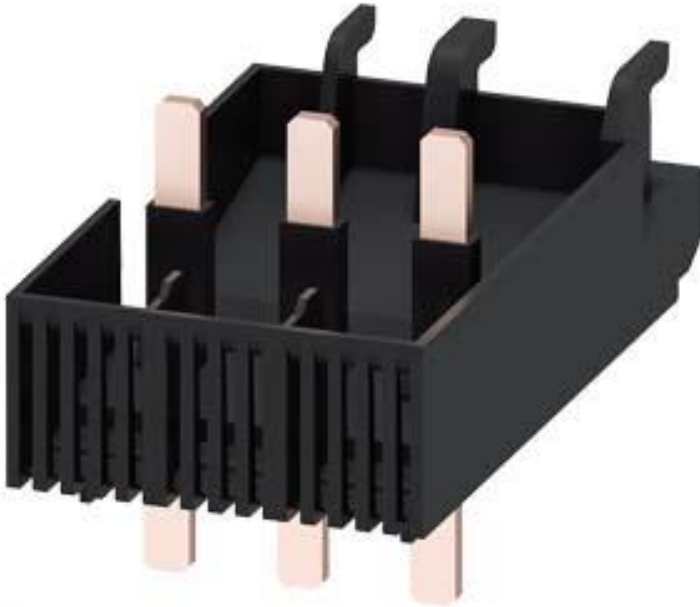


Figure similar

General technical data		
Product brand name		SIRIUS
Product designation		link module
Size of the circuit-breaker		S2
Size of contactor		S2
Product component bottom wiring module		No
Product component top wiring module		No
Installation/ mounting/ dimensions		
Mounting type		screw fixing
Certificates/approvals		

General Product Approval	Declaration of Conformity	Test Certificates	Shipping Approval
--------------------------	---------------------------	-------------------	-------------------



[Type Test Certificates/Test Report](#)

[Special Test Certificate](#)



Shipping Approval	other
-------------------	-------



[Confirmation](#)

Further information

Information- and Downloadcenter (Catalogs, Brochures,...)

<http://www.siemens.com/industrial-controls/catalogs>

Industry Mall (Online ordering system)

<https://mall.industry.siemens.com/mall/en/en/Catalog/product?mlfb=3RA2931-1AA00>

Cax online generator

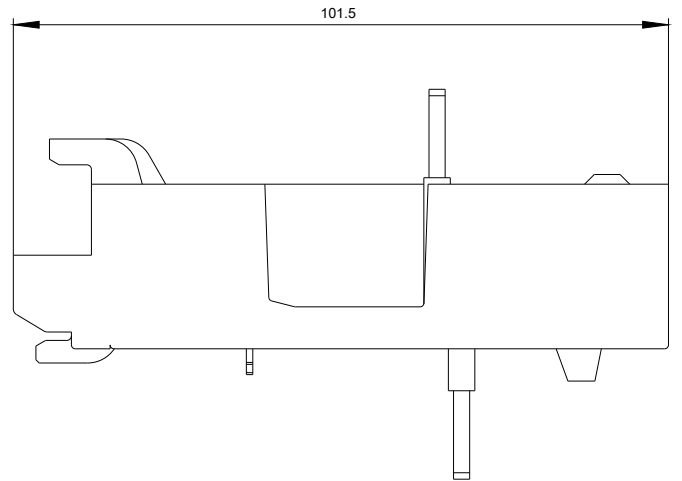
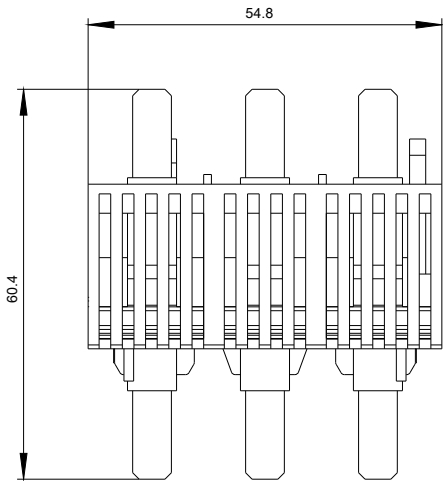
<http://support.automation.siemens.com/WW/CAXorder/default.aspx?lang=en&mlfb=3RA2931-1AA00>

Service&Support (Manuals, Certificates, Characteristics, FAQs,...)

<https://support.industry.siemens.com/cs/ww/en/ps/3RA2931-1AA00>

Image database (product images, 2D dimension drawings, 3D models, device circuit diagrams, EPLAN macros, ...)

http://www.automation.siemens.com/bilddb/cax_de.aspx?mlfb=3RA2931-1AA00&lang=en



last modified:

11/01/2018