

360042-1 ✓ ACTIVE

[FASTON](#) | [FASTON 250](#)

TE Internal #: 360042-1

FASTON 250, Crimp Terminal Housings, Tab, Tab Housing, 1 Position, Straight, Natural, Nylon, Contact Mating Retention, Mating Alignment

[View on TE.com >](#)



Terminals & Splices > Terminal Housings, Insulation Sleeves & Blocks > Crimp Terminal Housings



Terminal Type: **Tab**

Housing Type: **Tab Housing**

Number of Positions: **1**

Terminal Orientation: **Straight**

Primary Product Color: **Natural**

Features

Product Type Features

Terminates To	Wire & Cable
Product Type	Terminal Housing
Sealable	No
Connector System	Wire-to-Wire
Housing Type	Tab Housing
Insulated	No

Configuration Features

Number of Positions	1
---------------------	---

Body Features

Primary Product Color	Natural
-----------------------	---------

Contact Features

Terminal Type	Tab
Terminal Orientation	Straight
Contact Mating Retention	With



Mechanical Attachment

Mating Alignment Type	Polarization
Mating Retention Type	Latch
Mating Alignment	With
Crimp Terminal Housing Mounting Style	Cable Mount (Free-Hanging)

Housing Features

Housing Material	Nylon
------------------	-------

Dimensions

Length	9.65 mm[.38 in]
Width	6.35 mm[.032 in]

Usage Conditions

Operating Temperature Range	-40 – 105 °C[-40 – 221 °F]
-----------------------------	----------------------------

Operation/Application

For Use With	FASTON Terminals
--------------	------------------

Packaging Features

Packaging Quantity	1
Packaging Method	Carton

Product Compliance

[For compliance documentation, visit the product page on TE.com>](#)

EU RoHS Directive 2011/65/EU	Compliant
EU ELV Directive 2000/53/EC	Compliant
China RoHS 2 Directive MIIT Order No 32, 2016	No Restricted Materials Above Threshold
EU REACH Regulation (EC) No. 1907/2006	Current ECHA Candidate List: JAN 2022 (223) Candidate List Declared Against: JAN 2021 (211) SVHC > Threshold: Not Yet Reviewed
Halogen Content	Low Halogen - Br, Cl, F, I < 900 ppm per homogenous material. Also BFR/CFR/PVC Free
Solder Process Capability	Not applicable for solder process capability

Product Compliance Disclaimer

This information is provided based on reasonable inquiry of our suppliers and represents our current actual knowledge based on the information they provided. This information is subject to change. The part numbers that TE has identified as EU RoHS compliant have a maximum concentration of 0.1% by weight in homogenous materials for lead, hexavalent chromium, mercury, PBB, PBDE, DBP, BBP, DEHP, DIBP, and 0.01% for cadmium, or qualify for an exemption to these limits as defined in the Annexes of Directive 2011/65/EU (RoHS2). Finished electrical and electronic equipment products will be CE marked as required by Directive 2011/65/EU. Components may not be CE marked. Additionally, the part numbers that TE has identified as EU ELV compliant have a maximum concentration of 0.1% by weight in homogenous materials for lead, hexavalent chromium, and mercury, and 0.01% for cadmium, or qualify for an exemption to these limits as defined in the Annexes of Directive 2000/53/EC (ELV). Regarding the REACH Regulation, the information TE provides on SVHC in articles for this part number is based on the latest European Chemicals Agency (ECHA) 'Guidance on requirements for substances in articles' posted at this URL: <https://echa.europa.eu/guidance-documents/guidance-on-reach>

Compatible Parts



TE Part # 360041-1
187 FASTON HSG.,TAB,1 POS,
NATURAL




TE Part # 881339-2
250 FASTON SLEEVE REC. 1P
NATURAL




TE Part # 881339-3
250 FASTON SLEEVE REC. 1P BLACK


Also in the Series | FASTON 250



Compression Connectors(4)




Crimp Terminal Housings(143)



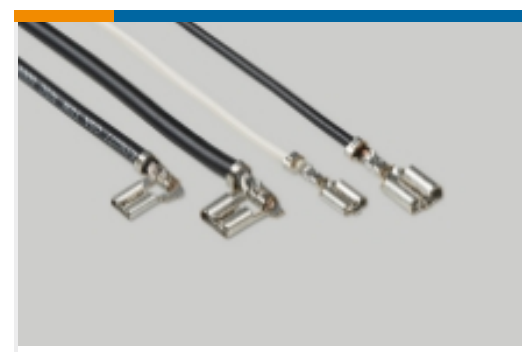
Insertion & Extraction Tools(6)



Magnet Wire Terminals(1)



PCB Terminals(144)



Quick Disconnects(456)



Splices(4)

Customers Also Bought



TE Part #1-440054-0
AMP HPI 2.0MM HEADERS



TE Part #2-1622824-1
Thick Film Resistor: Current Sense



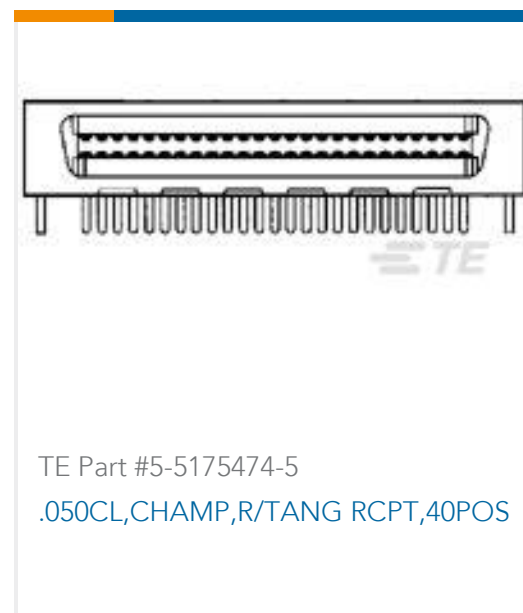
TE Part #3-5147490-2
Next Gen PACE Conn 32 POS 1X2



TE Part #3-1393240-6
RT33L048



TE Part #3-644465-8
08P MTA156 CONN ASSY 18AWG
ORA



TE Part #5-5175474-5
.050CL, CHAMP, R/TANG RCPT, 40POS

Documents

Product Drawings

250 FASTON HSG., TAB, 1 POS, NATRUAL

English

CAD Files

3D PDF

3D

Customer View Model

[ENG_CVM_CVM_360042-1_R.2d_dxf.zip](#)

English

Customer View Model

[ENG_CVM_CVM_360042-1_R.3d_igs.zip](#)

English

Customer View Model

[ENG_CVM_CVM_360042-1_R.3d_stp.zip](#)

English

By downloading the CAD file I accept and agree to the [Terms and Conditions](#) of use.

Datasheets & Catalog Pages

FASTON PCB Tabs and Receptacles

English

PRINTED CIRCUIT BOARD TERMINALS AND DISCONNECTS

English

Product Specifications

Product Specification

English



Product Environmental Compliance

[MD_360042-1_061320181245_dmtec](#)

English

[MD_360042-1_061320181245_dmtec](#)

English

Agency Approvals

[UL Report](#)

English