

**PLEASE CHECK WWW.MOLEX.COM FOR LATEST PART INFORMATION**

**Part Number:** [0353620650](#)  
**Status:** **Active**  
**Overview:** [Sherlock Wire-to-Board Connector System](#)  
**Description:** 2.00mm Pitch Sherlock Wire-to-Board Header, Vertical, with Positive Lock, 6 Circuits, with Kinked PC Tails, Natural

**Documents:**

<a href="#">3D Model</a>	<a href="#">Product Specification PS-35507-003-001 (PDF)</a>
<a href="#">Drawing (PDF)</a>	<a href="#">Packaging Specification PK-35362-001-001 (PDF)</a>
<a href="#">3D Model (PDF)</a>	<a href="#">RoHS Certificate of Compliance (PDF)</a>

**Agency Certification**

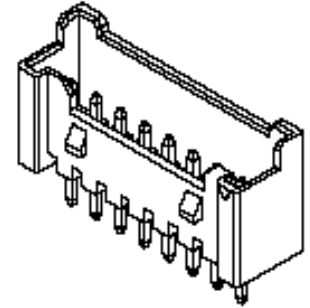
CSA	LR19980
UL	E29179

**General**

Product Family	PCB Headers
Series	<a href="#">35362</a>
Application	Signal, Wire-to-Board
Overview	<a href="#">Sherlock Wire-to-Board Connector System</a>
Product Name	Sherlock
UPC	822348259564

**Physical**

Breakaway	No
Circuits (Loaded)	6
Circuits (maximum)	6
Color - Resin	Natural
Durability (mating cycles max)	30
First Mate / Last Break	No
Flammability	94V-0
Glow-Wire Capable	No
Guide to Mating Part	No
Keying to Mating Part	None
Lock to Mating Part	Yes
Mated Height	8.50mm
Material - Plating Mating	Tin
Material - Plating Termination	Tin
Material - Resin	Nylon
Net Weight	0.386/g
Number of Rows	1
Orientation	Vertical
PC Tail Length	3.30mm
PCB Locator	No
PCB Retention	None
PCB Thickness - Recommended	1.60mm
Packaging Type	Bag
Pitch - Mating Interface	2.00mm
Pitch - Termination Interface	2.00mm
Polarized to Mating Part	Yes
Polarized to PCB	No
Shrouded	Partial
Stackable	No
Surface Mount Compatible (SMC)	No
Temperature Range - Operating	-40° to +105°C
Termination Interface: Style	Through Hole



*Series image - Reference only*

**EU ELV**

**Not Relevant**

**EU RoHS**

**Compliant**

**REACH SVHC**

Not Contained Per -  
D(2021)10043-DC (17  
Jan 2022)

**Halogen-Free**

**Status**

**Low-Halogen**

For more information, please visit [Contact US](#)

China ROHS

ELV

RoHS Phthalates

**China RoHS**

Green Image

Not Relevant

Not Contained

**Search Parts in this Series**

[35362](#) Series

**Mates With**

[35507](#) Sherlock Wire-to-Board Housing

**Use With**

[502128000](#) Terminal

**Electrical**

Current - Maximum per Contact 2.0A  
Voltage - Maximum 125V

**Material Info****Reference - Drawing Numbers**

Packaging Specification PK-35362-001-001  
Product Specification PS-35507-003-001  
Sales Drawing SD-35362-002-001, SD-35362-002-002

This document was generated on 03/21/2022

**PLEASE CHECK [WWW.MOLEX.COM](http://WWW.MOLEX.COM) FOR LATEST PART INFORMATION**