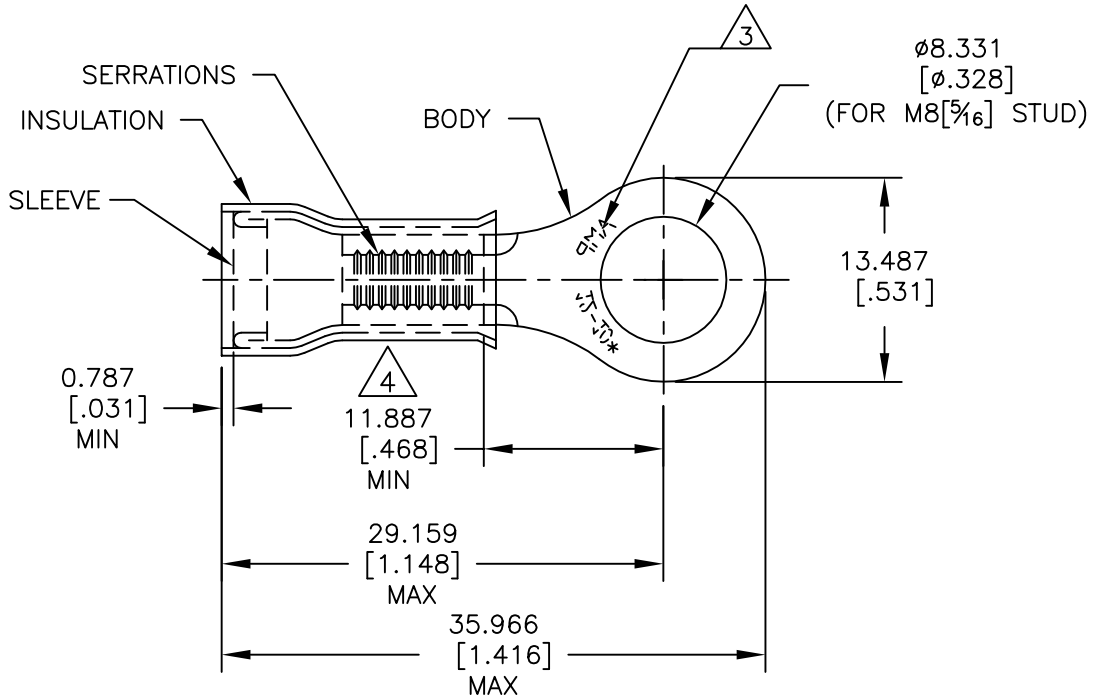


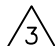
REVISIONS				
P	LTR	DESCRIPTION	DATE	APVD
	C1	REDRAWN PER ECO-17-007400	11DEC2017	RS DR


AMP WIRE RANGE	 Listed FILE E13288	 LR7189 Certified
12-10 AWG SOLID OR STRANDED	12-10 AWG SOLID OR STRANDED	12-10 AWG SOLID OR STRANDED

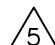


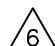
1 FOR $\phi 4.318[\phi .170]$ TO $\phi 7.620[\phi .300]$ WIRE INSULATION.

2 BODY MATERIAL THICKNESS: $1.016 \pm 0.051 [.040 \pm .002]$

 STAMP AMP 12-10* APPROX AS SHOWN.

 APPLIES FROM EDGE OF METAL WIRE BARREL TO CENTER OF STUD HOLE.

 MATERIAL:
BODY & SLEEVE: COPPER PER ASTM B152
INSULATION: PVC

 FINISH:
BODY & SLEEVE: TIN PLATE PER ASTM B545
INSULATION: COLOR-YELLOW.




1500	ON TAPE	2-35346-1
500	LOOSE PIECE	35346
QTY.	PACKAGE TYPE	PART NUMBER

RELEASED FOR PUBLICATION

ALL RIGHTS RESERVED.

THIS DRAWING IS UNPUBLISHED.

COPYRIGHT - TE Connectivity

DIMENSIONS: mm [INCHES]	DWN RAVI S	11DEC2017	MATERIAL		FINISH		
	CHK ROHDE DANIEL F	11DEC2017	 TE Connectivity NAME WIRE TERMINAL, P.I.D.G-RING TONGUE, WIRE SIZE: 12-10				
TOLERANCES UNLESS OTHERWISE SPECIFIED:	APVD ROHDE DANIEL F	11DEC2017					
0 PLC ± -	PRODUCT SPEC	UL 486 A-B					
1 PLC ± -	APPLICATION SPEC	114-2157					
2 PLC ± -	WEIGHT	-	SIZE	A4	CAGE CODE	00779	
3 PLC ± 0.127[.005]	CUSTOMER DRAWING		DRAWING NO	C= 35346		RESTRICTED TO	-
4 PLC ± -			SCALE	2:1	SHEET	1 OF 1	REV
ANGLES ± -							