



[Positive Lock](#) | [Positive Lock 110](#)

TE Internal #: 353250-2

Positive Lock 110, Quick Disconnects, Receptacle, 20 – 16 AWG Wire Size, .51 – 1.31 mm<sup>2</sup> Wire Size, Mating Tab Width .11 in [2.8 mm], Straight

[View on TE.com >](#)

Terminals & Splices > Quick Disconnects



Quick Disconnect Terminal Type: **Receptacle**

Wire Size: .51 – 1.31 mm<sup>2</sup>

Mating Tab Width: 2.8 mm [.11 in]

Terminal Orientation: **Straight**

### Features

#### Product Type Features

|                 |              |
|-----------------|--------------|
| Terminates To   | Wire & Cable |
| Wire/Cable Type | Regular Wire |
| Sealable        | No           |

#### Configuration Features

|                     |        |
|---------------------|--------|
| Connection Capacity | Single |
|---------------------|--------|

#### Contact Features

|                                |                 |
|--------------------------------|-----------------|
| Quick Disconnect Terminal Type | Receptacle      |
| Mating Tab Width               | 2.8 mm[.11 in]  |
| Terminal Orientation           | Straight        |
| Contact Base Material          | Phosphor Bronze |
| Terminal Plating Material      | Pre-Tin         |
| Crimp Type                     | F-Crimp         |
| Barrel Type                    | Open            |

#### Mechanical Attachment

|  |  |
|--|--|
|  |  |
|--|--|



|                         |      |
|-------------------------|------|
| Wire Insulation Support | With |
|-------------------------|------|

### Dimensions

|  |                               |
|--|-------------------------------|
| Accepts Wire Insulation Diameter Range | 2.01 – 3.1 mm [.079 – .12 in] |
| Receptacle Terminal Stock Thickness    | .25 mm [.01 in]               |
| Wire Size                              | .51 – 1.31 mm <sup>2</sup>    |

### Usage Conditions

|                             |                             |
|-----------------------------|-----------------------------|
| Insulation Requirement      | Uninsulated                 |
| Operating Temperature Range | -40 – 110 °C [-40 – 230 °F] |

### Packaging Features

|                    |            |
|--------------------|------------|
| Packaging Quantity | 4000       |
| Packaging Method   | Strip/Reel |

### Product Compliance

[For compliance documentation, visit the product page on TE.com>](#)

|   |   |
|---|---|
| EU RoHS Directive 2011/65/EU                  | Compliant   |
| EU ELV Directive 2000/53/EC                   | Compliant   |
| China RoHS 2 Directive MIIT Order No 32, 2016 | No Restricted Materials Above Threshold   |
| EU REACH Regulation (EC) No. 1907/2006        | Current ECHA Candidate List: JAN 2022 (223)<br>Candidate List Declared Against: JAN 2022 (223)<br>Does not contain REACH SVHC |
| Halogen Content                               | Low Halogen - Br, Cl, F, I < 900 ppm per homogenous material. Also BFR/CFR/PVC Free   |
| Solder Process Capability                     | Not applicable for solder process capability  |

#### Product Compliance Disclaimer

This information is provided based on reasonable inquiry of our suppliers and represents our current actual knowledge based on the information they provided. This information is subject to change. The part numbers that TE has identified as EU RoHS compliant have a maximum concentration of 0.1% by weight in homogenous materials for lead, hexavalent chromium, mercury, PBB, PBDE, DBP, BBP, DEHP, DIBP, and 0.01% for cadmium, or qualify for an exemption to these limits as defined in the Annexes of Directive 2011/65/EU (RoHS2). Finished electrical and electronic equipment products will be CE marked as required by Directive 2011/65/EU. Components may not be CE marked. Additionally, the part numbers that TE has identified as EU ELV compliant have a maximum concentration of 0.1% by weight in homogenous materials for lead, hexavalent chromium, and mercury, and 0.01% for cadmium, or qualify for an exemption to these limits as defined in the Annexes of Directive 2000/53/EC (ELV). Regarding the REACH Regulation, the information TE provides on SVHC in articles for this part number is based on the latest European Chemicals Agency (ECHA) 'Guidance on requirements for substances in articles' posted at this URL: <https://echa.europa.eu/guidance-documents/guidance-on-reach>

## Compatible Parts



TE Part # 2305570-1  
TERMINAL CUTTER, SIDE FEED



TE Part # 353253-1  
PL EX 110 (2.8 MM) HOUSING RECEPTACLE



TE Part # 353251-1  
PL EX 110 (2.8 MM) HOUSING RECEPTACLE



TE Part # 353255-7  
110 HSG. PL EX REC. 7.6mm 3P RED



TE Part # 353255-1  
110 HSG. PL EX REC. 7.6mm 3P NAT



TE Part # 2-2151117-1  
OCEAN\_2.0\_Applicator-S-080F130F



TE Part # 2-2151117-2  
OCEAN\_2.0\_Applicator-S-080F130F



TE Part # 2151117-1  
OCEAN\_2.0\_Applicator-S-080F130F




TE Part # 2151117-2  
OCEAN\_2.0\_Applicator-S-080F130F



TE Part # 7-2151117-1  
OCEAN\_2.0\_Applicator-S-080F130F




TE Part # 7-2151117-2  
OCEAN\_2.0\_Applicator-S-080F130F




TE Part # 7-2151117-7  
OCEAN\_2.0\_SPARE\_PART\_KIT-080F130F


## Also in the Series | Positive Lock 110



Crimp Terminal Housings(12)

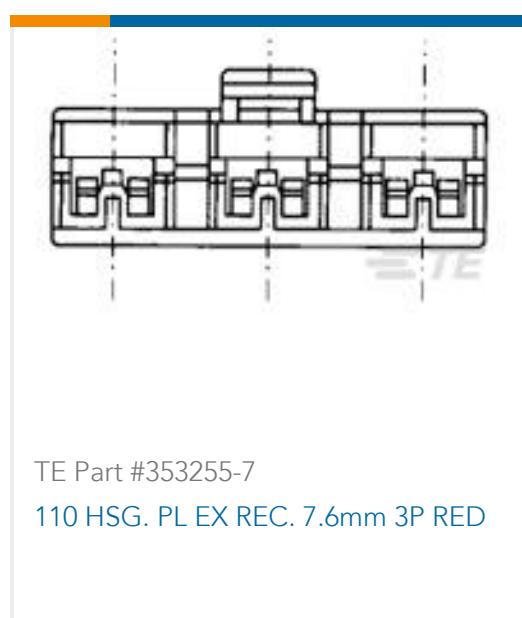
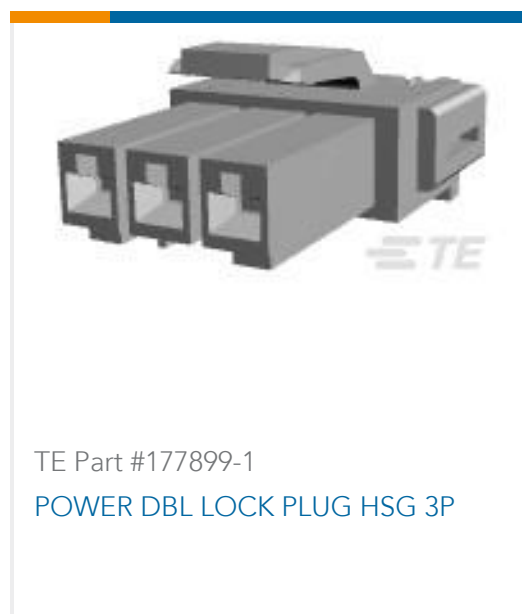


Insertion & Extraction Tools(1)



Quick Disconnects(8)

## Customers Also Bought



## Documents

### Product Drawings

110 PL EX REC. 20-16AWG PTPHBZ

Japanese

### CAD Files

3D PDF

3D

Customer View Model

[ENG\\_CVM\\_CVM\\_353250-2\\_F.2d\\_dxf.zip](#)

English

Customer View Model

[ENG\\_CVM\\_CVM\\_353250-2\\_F.3d\\_igs.zip](#)

English

Customer View Model

[ENG\\_CVM\\_CVM\\_353250-2\\_F.3d\\_stp.zip](#)

English

By downloading the CAD file I accept and agree to the [Terms and Conditions](#) of use.

### Product Specifications



### Application Specification

English

#### 110 Series Positive Lock EX-III Contact

Japanese

### Application Specification

Japanese

#### 110 Series Positive Lock EX-III Contact

English

---

### Product Environmental Compliance

#### TE Material Declaration

English

---

### Instruction Sheets

#### Instruction Sheet (non U.S.)

English

Japanese

English