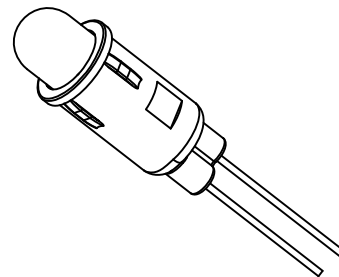
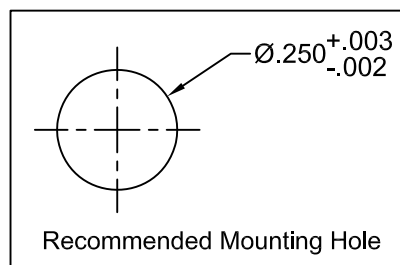
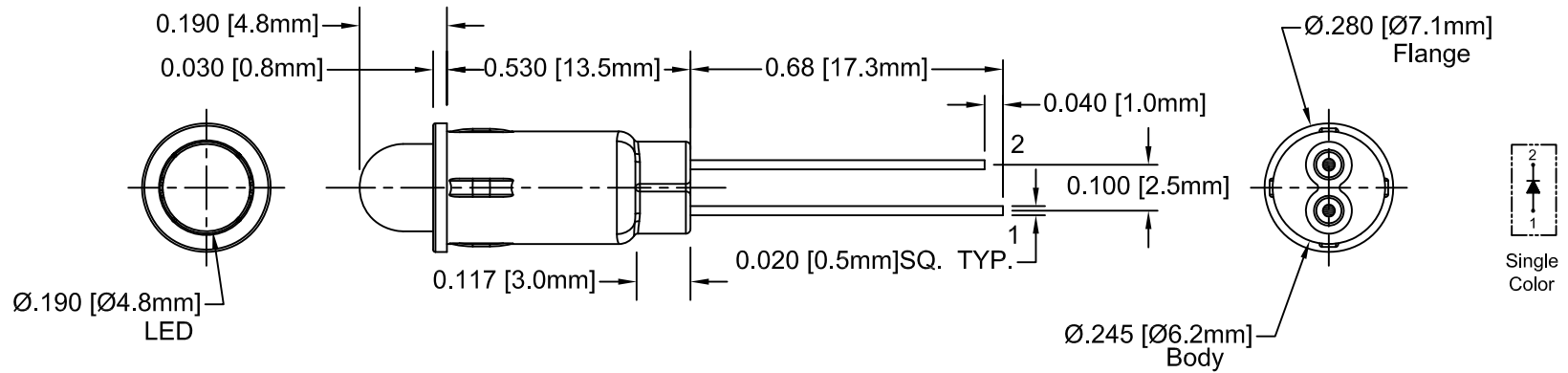


352 Series

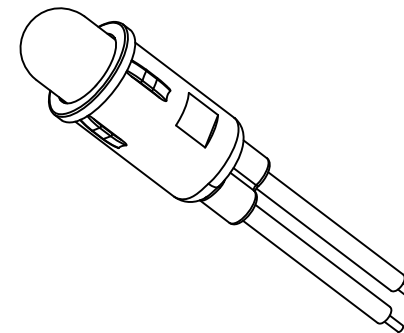
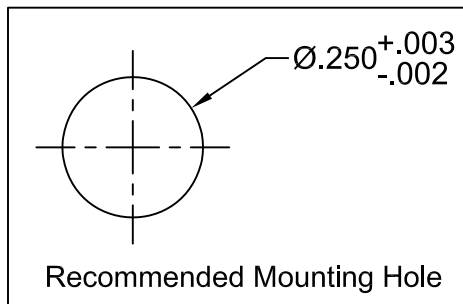
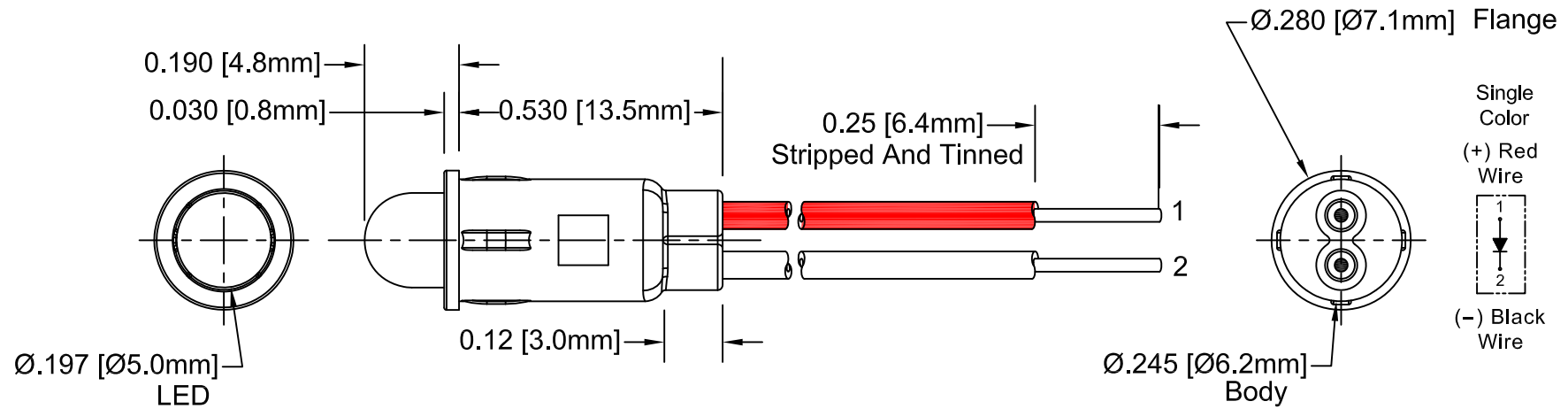




ABSOLUTE MAXIMUM RATINGS ($T_a = 25^\circ\text{C}$)

REVERSE VOLTAGE	_____	5V
REVERSE CURRENT ($V_R=5V$)	_____	100 μ A
OPERATING TEMPERATURE RANGE	_____	-25 $^\circ\text{C}$ ~ 85 $^\circ\text{C}$
STORAGE TEMPERATURE	_____	-30 $^\circ\text{C}$ ~ 100 $^\circ\text{C}$
LEAD SOLDERING TEMPERATURE (1/16" FROM BODY)	_____	260 $^\circ\text{C}$ for 5 Seconds


STANDARD TOLERANCE (UNLESS OTHERWISE SPECIFIED)		MARL	MARL BUSINESS PARK, ULVERSTON, UK. LA12 9BN Tel: +44 (0)1229 582 430. Web: www.leds.co.uk
DECIMALS	ANGULAR		
.X $\pm .1$	X $^\circ$ $\pm 1^\circ$		
.XX $\pm .02$			TITLE: STD PANEL MOUNT INDICATORS
.XXX $\pm .010$			PART NO: 352 Series
Provisional		SHEET # 1 OF 3	
CAD GENERATED DOCUMENT, DO NOT MEASURE DRAWING.			

352 Series (Flying Leads version)



STANDARD TOLERANCE (UNLESS OTHERWISE SPECIFIED)			MARL BUSINESS PARK, ULVERSTON, UK. LA12 9BN Tel: +44 (0)1229 582 430. Web: www.leds.co.uk
DECIMALS	ANGULAR		
.X $\pm .1$	$X^\circ \pm 1^\circ$		TITLE: STD PANEL MOUNT INDICATORS
.XX $\pm .02$			PART NO: 352 Series
.XXX $\pm .010$			SHEET # 2 OF 3
Provisional		CAD GENERATED DOCUMENT, DO NOT MEASURE DRAWING.	

Marl Part No.	Chip			Lens Appearance	Electro-Optical Data @20mA				Viewing Angle 2 Ø 1/2 (Deg)	LED P/N	Termination
	Material	Peak Wave Length	Emitted Colour		If (mA)	Vf (V)		Iv (mcd)			
						MAX	TYP				
352-520-04	GaN/SiC	430	BLUE	DIFFUSED	25	4	4.5	15	45	520	PINS
352-520-04-40											12IN FLYING LEADS
352-512-04	GaP/GaP	568	GREEN	TINTED	30	2.1	2.8	40	35	512	PINS
352-512-04-40											12IN FLYING LEADS
352-505-04	GaP/GaP	700	RED	DIFFUSED	20	2.1	2.8	2	45	505	PINS
352-505-04-40											12IN FLYING LEADS
352-509-04	GaAsP/GaP	590	YELLOW	TINTED	30	2	2.8	40	35	509	PINS
352-509-04-40											12IN FLYING LEADS

STANDARD TOLERANCE (UNLESS OTHERWISE SPECIFIED)		MARL	MARL BUSINESS PARK, ULVERSTON, UK. LA12 9BN Tel: +44 (0)1229 582 430. Web: www.leds.co.uk
DECIMALS	ANGULAR		
.X ± .1	X° ± 1°		TITLE: STD PANEL MOUNT INDICATORS
.XX ± .02			PART NO: 352 Series
.XXX ± .010			SHEET # 3 OF 3
Provisional		CAD GENERATED DOCUMENT, DO NOT MEASURE DRAWING.	