



TE Internal #: 350436-2  
 Ring Terminals & Spade Terminals, Ring Tongue, 18 – 14 AWG  
 Wire Size, .8 – 2 mm<sup>2</sup> Wire Size, 1624 – 4106 CMA Wire Size, Stud  
 Size #10

[View on TE.com >](#)

Terminals & Splices > Ring Terminals & Spade Terminals



Ring & Spade Terminal Type: **Ring Tongue**

Wire Size: **1624 – 4106 CMA**

Stud Size: **#10**

## Features

### Product Type Features

|  |                           |
|--|---------------------------|
| Terminal Features                      | Sheared                   |
| Shape Description                      | Anti-Rotational/Grounding |
| Stud Size                              | #10                       |
| Sealable                               | No                        |
| Compatible With Discrete Wire Type     | Stranded                  |
| Wire Insulation Support Retention Type | Insulation Support        |

### Configuration Features

|                 |       |
|-----------------|-------|
| Number of Holes | 1     |
| Terminal Angle  | 180 ° |

### Body Features

|                  |        |
|------------------|--------|
| Inspection Slot  | No     |
| Weight per Piece | .572 g |

### Contact Features

|                            |             |
|----------------------------|-------------|
| Contact Base Material      | Steel       |
| Ring & Spade Terminal Type | Ring Tongue |
| Barrel Type                | Open        |



|                      |          |
|----------------------|----------|
| Terminal Orientation | Straight |
|----------------------|----------|

|                           |     |
|---------------------------|-----|
| Terminal Plating Material | Tin |
|---------------------------|-----|

|                               |        |
|-------------------------------|--------|
| Contact Underplating Material | Nickel |
|-------------------------------|--------|

### Mechanical Attachment

|                         |      |
|-------------------------|------|
| Wire Insulation Support | With |
|-------------------------|------|

### Dimensions

|  |         |
|--|---------|
|  | .105 in |
|--|---------|

|           |                 |
|-----------|-----------------|
| Wire Size | 1624 – 4106 CMA |
|-----------|-----------------|

|               |                  |
|---------------|------------------|
| Stud Diameter | 5.18 mm[.204 in] |
|---------------|------------------|

|                  |                |
|------------------|----------------|
| Tongue Thickness | .76 mm[.03 in] |
|------------------|----------------|

|                        |                  |
|------------------------|------------------|
| Overall Product Length | 18.29 mm[.72 in] |
|------------------------|------------------|

|                        |                                    |
|------------------------|------------------------------------|
| Barrel Inside Diameter | 1.62 mm, 3.17 mm[.064 in][.125 in] |
|------------------------|------------------------------------|

|  |                  |
|--|------------------|
| Accepts Wire Insulation Diameter (Max) | 3.68 mm[.145 in] |
|--|------------------|

|  |                                |
|--|--------------------------------|
| Accepts Wire Insulation Diameter Range | 2.67 – 3.68 mm[.105 – .145 in] |
|--|--------------------------------|

### Usage Conditions

|                        |             |
|------------------------|-------------|
| Insulation Requirement | Uninsulated |
|------------------------|-------------|

|                             |                            |
|-----------------------------|----------------------------|
| Operating Temperature Range | -40 – 110 °C[-40 – 230 °F] |
|-----------------------------|----------------------------|

### Operation/Application

|                                    |        |
|------------------------------------|--------|
| Compatible With Wire Base Material | Copper |
|------------------------------------|--------|

|            |    |
|------------|----|
| Heavy Duty | No |
|------------|----|

### Industry Standards

|                      |    |
|----------------------|----|
| Government Qualified | No |
|----------------------|----|

### Packaging Features

|                    |       |
|--------------------|-------|
| Packaging Quantity | 10000 |
|--------------------|-------|

|                  |            |
|------------------|------------|
| Packaging Method | Strip/Reel |
|------------------|------------|

### Product Compliance

[For compliance documentation, visit the product page on TE.com>](#)

|                              |           |
|------------------------------|-----------|
| EU RoHS Directive 2011/65/EU | Compliant |
|------------------------------|-----------|

|                             |           |
|-----------------------------|-----------|
| EU ELV Directive 2000/53/EC | Compliant |
|-----------------------------|-----------|

|   |   |
|---|---|
| China RoHS 2 Directive MIIT Order No 32, 2016 | No Restricted Materials Above Threshold |
|---|---|

|  |  |
|--|--|
| EU REACH Regulation (EC) No. 1907/2006 |  |
|--|--|



Current ECHA Candidate List: JAN 2022  
(223)  
Candidate List Declared Against: JUL 2021  
(219)  
SVHC > Threshold:  
Not Yet Reviewed

Halogen Content  
Low Halogen - Br, Cl, F, I < 900 ppm per homogenous material. Also BFR/CFR/PVC Free

Solder Process Capability  
Not applicable for solder process capability

Product Compliance Disclaimer

This information is provided based on reasonable inquiry of our suppliers and represents our current actual knowledge based on the information they provided. This information is subject to change. The part numbers that TE has identified as EU RoHS compliant have a maximum concentration of 0.1% by weight in homogenous materials for lead, hexavalent chromium, mercury, PBB, PBDE, DBP, BBP, DEHP, DIBP, and 0.01% for cadmium, or qualify for an exemption to these limits as defined in the Annexes of Directive 2011/65/EU (RoHS2). Finished electrical and electronic equipment products will be CE marked as required by Directive 2011/65/EU. Components may not be CE marked. Additionally, the part numbers that TE has identified as EU ELV compliant have a maximum concentration of 0.1% by weight in homogenous materials for lead, hexavalent chromium, and mercury, and 0.01% for cadmium, or qualify for an exemption to these limits as defined in the Annexes of Directive 2000/53/EC (ELV). Regarding the REACH Regulation, the information TE provides on SVHC in articles for this part number is based on the latest European Chemicals Agency (ECHA) 'Guidance on requirements for substances in articles' posted at this URL: <https://echa.europa.eu/guidance-documents/guidance-on-reach>

## Compatible Parts

TE Part # 350509-1  
RING 22-16 AWG BR

TE Part # 350080-1  
RING TERMINAL 18-14 0.245 X 1.110 TPSTL

TE Part # 2150008-1  
OCEAN\_2.0\_Applicator-E-130F180F

TE Part # 42191-1  
FLAG TERMINAL TERMINAL 18-12 AWG TPBR

TE Part # 61359-1  
RING GR ANTI ROTATIONAL 18-14 AWG PTPST

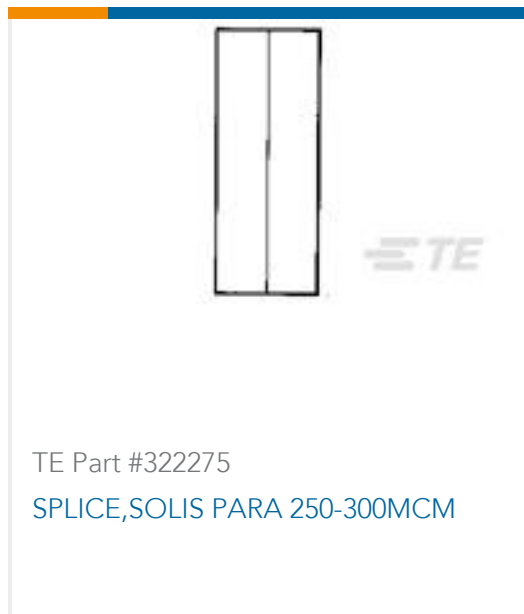
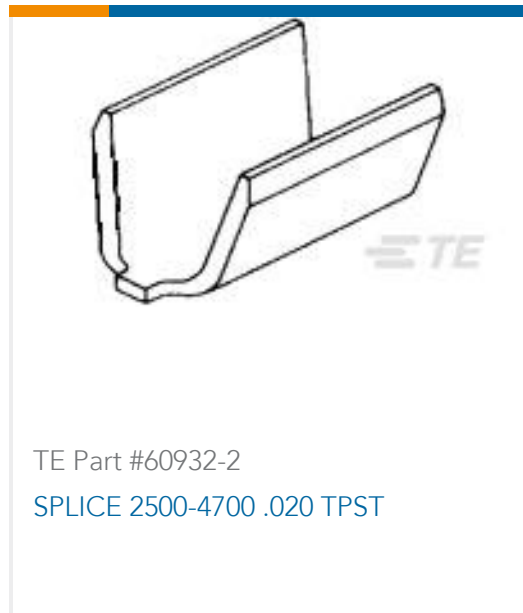
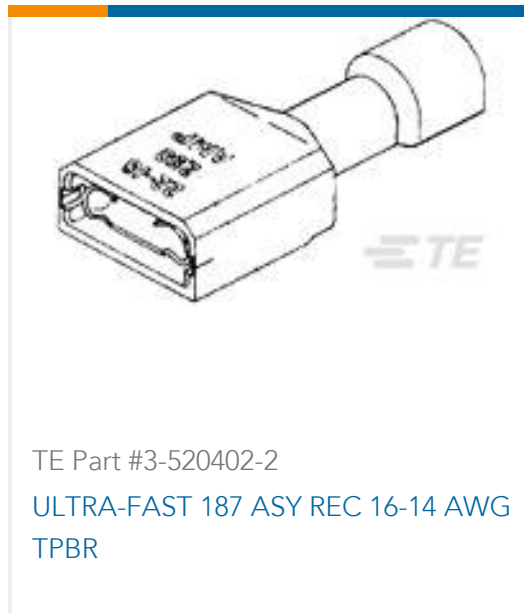
**KIT**  
TE Part # 7-2150008-7  
OCEAN\_2.0\_SPARE\_PART\_KIT-130F180F  
REPRESENTATION ONLY

TE Part # 2-2150008-1  
OCEAN\_2.0\_Applicator-E-130F180F

TE Part # 2-2150008-2  
OCEAN\_2.0\_Applicator-E-130F180F



## Customers Also Bought



## Documents

### Product Drawings

[RING TERMINAL 18-14 AWG TPST](#)

English

### CAD Files

[3D PDF](#)

[3D](#)

[Customer View Model](#)

[ENG\\_CVM\\_CVM\\_350436-2\\_AA.2d\\_dxf.zip](#)



English

**Customer View Model**

[ENG\\_CVM\\_CVM\\_350436-2\\_AA.3d\\_igs.zip](#)

English

**Customer View Model**

[ENG\\_CVM\\_CVM\\_350436-2\\_AA.3d\\_stp.zip](#)

English

By downloading the CAD file I accept and agree to the [Terms and Conditions](#) of use.

---

**Product Specifications**

[Application Specification](#)

English

---

**Product Environmental Compliance**

[TE Material Declaration](#)

English

---

**Agency Approvals**

[UL Report](#)

English