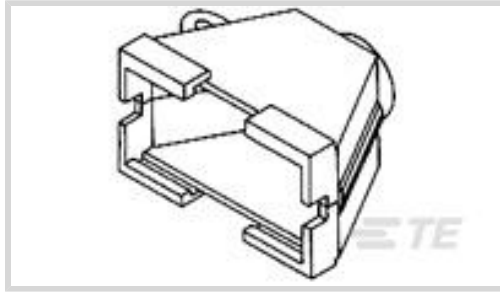




Connectors > Rectangular Connectors > Rectangular Connector Accessories > Rectangular Boots & Strain Relief



Protection & Strain Relief Accessory Type: **Strain Relief**

Primary Product Material: **Nylon**

Primary Product Color: **Black**

Number of Positions: **6**

Sealable: **No**

Features

Product Type Features

Protection & Strain Relief Accessory Type	Strain Relief
Sealable	No
Product Type	Accessory

Configuration Features

Number of Positions	6
---------------------	---

Body Features

Primary Product Material	Nylon
Primary Product Color	Black

Dimensions

Inside Diameter	9.5 mm[.374 in]
-----------------	-----------------

Usage Conditions

Operating Temperature Range	-55 – 85 °C[-67 – 185 °F]
-----------------------------	---------------------------

Packaging Features

Packaging Method	Bag
Packaging Quantity	100

Other

Comment	One piece - Clam Shell.
---------	-------------------------



Product Compliance


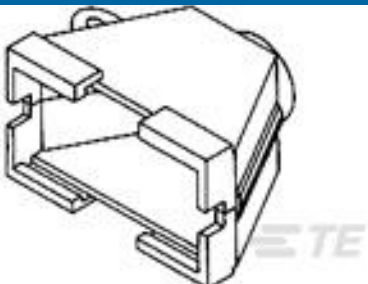


[For compliance documentation, visit the product page on TE.com>](#)

EU RoHS Directive 2011/65/EU	Compliant
EU ELV Directive 2000/53/EC	Compliant
China RoHS 2 Directive MIIT Order No 32, 2016	No Restricted Materials Above Threshold
EU REACH Regulation (EC) No. 1907/2006	Current ECHA Candidate List: JAN 2022 (223) Candidate List Declared Against: JAN 2022 (223) Does not contain REACH SVHC
Halogen Content	Not Low Halogen - contains Br or Cl > 900 ppm.
Solder Process Capability	Not applicable for solder process capability

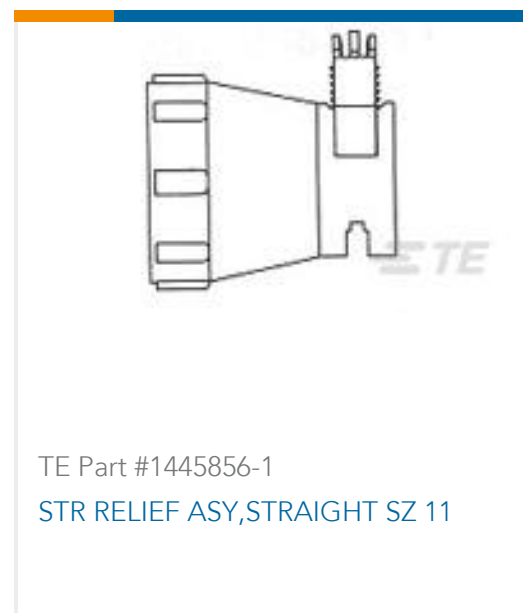
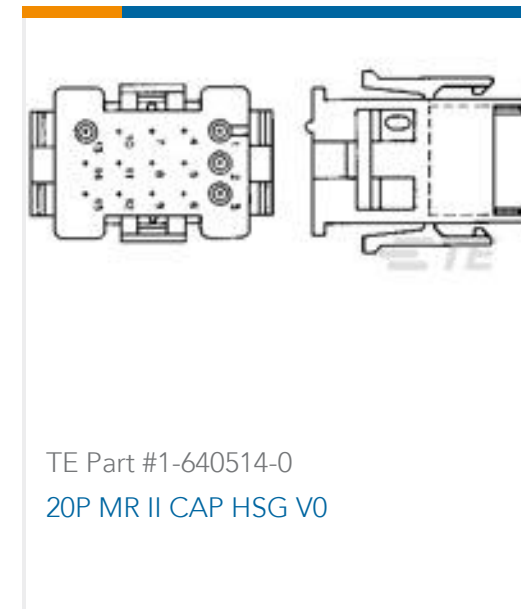
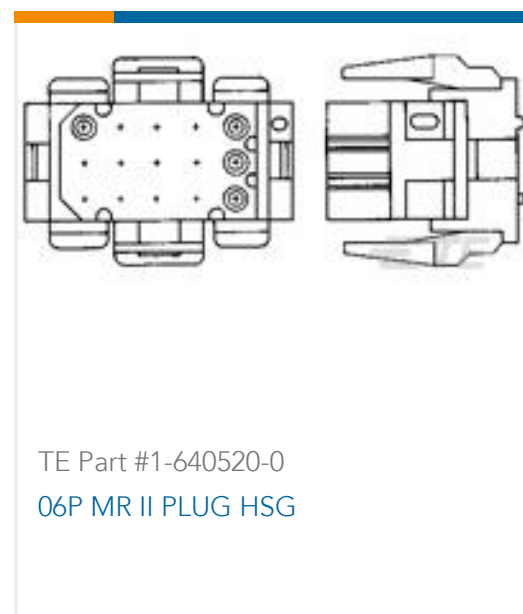
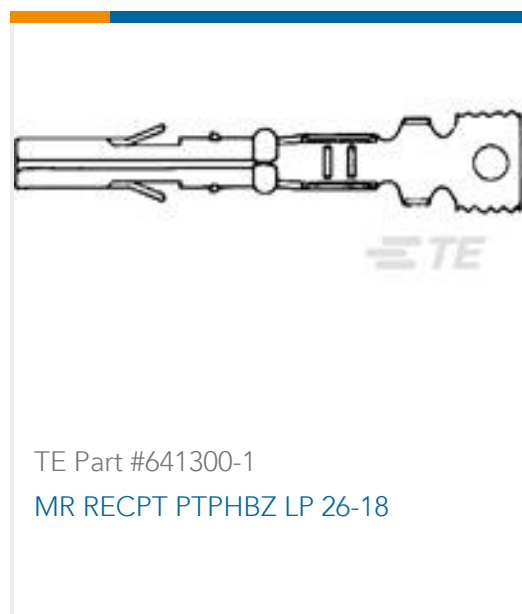
Product Compliance Disclaimer

This information is provided based on reasonable inquiry of our suppliers and represents our current actual knowledge based on the information they provided. This information is subject to change. The part numbers that TE has identified as EU RoHS compliant have a maximum concentration of 0.1% by weight in homogenous materials for lead, hexavalent chromium, mercury, PBB, PBDE, DBP, BBP, DEHP, DIBP, and 0.01% for cadmium, or qualify for an exemption to these limits as defined in the Annexes of Directive 2011/65/EU (RoHS2). Finished electrical and electronic equipment products will be CE marked as required by Directive 2011/65/EU. Components may not be CE marked. Additionally, the part numbers that TE has identified as EU ELV compliant have a maximum concentration of 0.1% by weight in homogenous materials for lead, hexavalent chromium, and mercury, and 0.01% for cadmium, or qualify for an exemption to these limits as defined in the Annexes of Directive 2000/53/EC (ELV). Regarding the REACH Regulation, the information TE provides on SVHC in articles for this part number is based on the latest European Chemicals Agency (ECHA) 'Guidance on requirements for substances in articles' posted at this URL: <https://echa.europa.eu/guidance-documents/guidance-on-reach>

Compatible Parts

 <p>TE Part # 2-350375-0 MR SPLT GROMET .296 DIA BLK LF</p>	 <p>TE Part # 350374-1 12P STR/REL HSG HNGD V0</p>	 <p>TE Part # 2-350376-0 MR SPLT GROMET .218 DIA BLK LF</p>	 <p>TE Part # 2-350377-0 MR SPLT GROMET .156 DIA BLK LF</p>
--	---	--	--

Customers Also Bought



Documents

Product Drawings

06P STR/REL HSG HNGD

English

CAD Files

Customer View Model

[ENG_CVM_350373-1_K.3d_igs.zip](#)

English

Customer View Model

[ENG_CVM_350373-1_K.3d_stp.zip](#)

English

Customer View Model

[ENG_CVM_350373-1_K.2d_dxf.zip](#)

English

3D PDF

English

3D PDF

3D



Customer View Model

[ENG_CVM_CVM_350373-1_AE.2d_dxf.zip](#)

English

Customer View Model

[ENG_CVM_CVM_350373-1_AE.3d_igs.zip](#)

English

Customer View Model

[ENG_CVM_CVM_350373-1_AE.3d_stp.zip](#)

English

By downloading the CAD file I accept and agree to the [Terms and Conditions](#) of use.

Datasheets & Catalog Pages

[SOFT_SHELL_PIN_AND_SOCKET_CONNECTORS_CATALOG](#)

English

Product Specifications

[Application Specification](#)

English

Product Environmental Compliance

[TE Material Declaration](#)

English

Instruction Sheets

[Instruction Sheet \(U.S.\)](#)

English

[AMP* MINIATURE RECTANGULAR II \(MRII\) CONNECTORS](#)

English