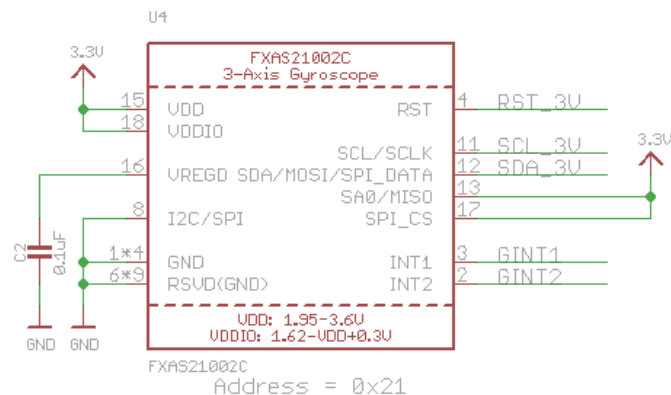
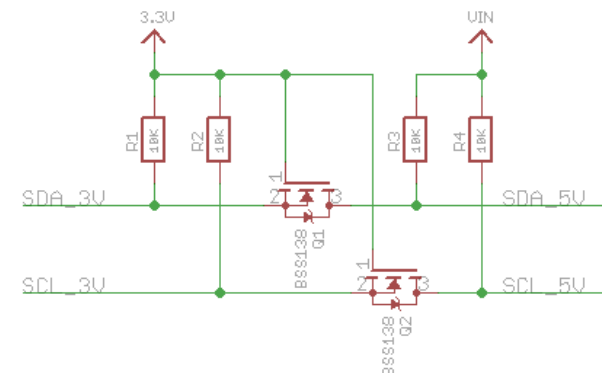


NOTE: FX0S8700C0 only supports a point-to-point SPI protocol, with only one master and one slave device present on the bus. As such, only I2C is broken out here.

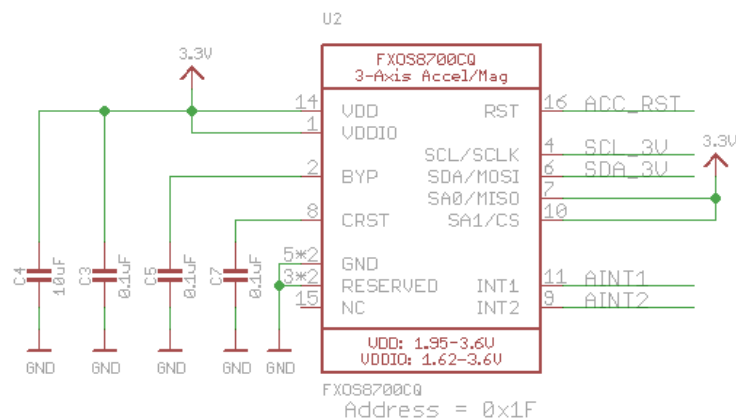
3-Axis Gyroscope



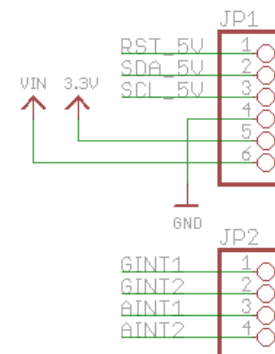
5V/3V Level Shifting



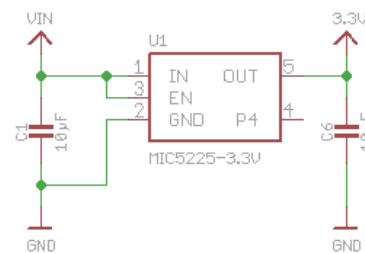
3-Axis Accelerometer/Magnetometer



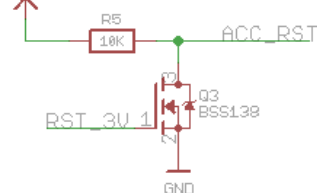
Header Pins



3.3V VREG



Accel RST Inverter



Shared Reset Line



ISSUE	ADAFRUIT INDUSTRIES		© 2015
DRAWN	TITLE		REV
KTOWN	NXP 9D0F Breakout		A
CHECKED	DATE	DRG N°	>DRGNO
>CHECKED	06/04/17 12:34		
DATE	FILE: NXP_Motion_Sensors_REU-D	PAGE: 1/1	
>DATE			