

346027-1 ✓ ACTIVE

FASTIN-FASTON | FASTIN-FASTON 250

TE Internal #: 346027-1

FASTIN-FASTON 250, Crimp Terminal Housings, Receptacle, Receptacle, 2 Position, Straight, Black, Thermoplastic, Contact Mating Retention

[View on TE.com >](#)



Terminals & Splices > Terminal Housings, Insulation Sleeves & Blocks > Crimp Terminal Housings



Terminal Type: **Receptacle**

Housing Type: **Receptacle**

Number of Positions: **2**

Terminal Orientation: **Straight**

Primary Product Color: **Black**

Features

Product Type Features

| | |
|---------------|------------------|
| Terminates To | Wire & Cable |
| Product Type | Terminal Housing |
| Sealable | No |
| Housing Type | Receptacle |
| Insulated | No |

Configuration Features

| | |
|---------------------|---|
| Number of Positions | 2 |
|---------------------|---|

Body Features

| | |
|-----------------------|-------|
| Primary Product Color | Black |
|-----------------------|-------|

Contact Features

| | |
|--------------------------|------------|
| Terminal Type | Receptacle |
| Terminal Orientation | Straight |
| Contact Mating Retention | With |



Mechanical Attachment

| | |
|---------------------------------------|----------------------------|
| Mating Alignment | With |
| Crimp Terminal Housing Mounting Style | Cable Mount (Free-Hanging) |

Housing Features

| | |
|--------------------|---------------|
| Housing Material | Thermoplastic |
| Centerline (Pitch) | 9 mm[.354 in] |

Dimensions

| | |
|--------|------------------|
| Height | 7.5 mm[.295 in] |
| Length | 18.4 mm[.724 in] |
| Width | 23 mm[.905 in] |

Usage Conditions

| | |
|-----------------------------|----------------------------|
| Operating Temperature Range | -40 – 105 °C[-40 – 221 °F] |
|-----------------------------|----------------------------|

Packaging Features

| | |
|--------------------|--------|
| Packaging Quantity | 6000 |
| Packaging Method | Carton |

Product Compliance

[For compliance documentation, visit the product page on TE.com>](#)

| | |
|---|---|
| EU RoHS Directive 2011/65/EU | Compliant |
| EU ELV Directive 2000/53/EC | Compliant |
| China RoHS 2 Directive MIIT Order No 32, 2016 | No Restricted Materials Above Threshold |
| EU REACH Regulation (EC) No. 1907/2006 | Current ECHA Candidate List: JAN 2022 (223) Candidate List Declared Against: JAN 2022 (223) Does not contain REACH SVHC |
| Halogen Content | Low Halogen - Br, Cl, F, I < 900 ppm per homogenous material. Also BFR/CFR/PVC Free |
| Solder Process Capability | Not reviewed for solder process capability |

Product Compliance Disclaimer

This information is provided based on reasonable inquiry of our suppliers and represents our current actual knowledge based on the information they provided. This information is subject to change. The part numbers that TE has identified as EU RoHS compliant have a maximum concentration of 0.1% by weight in homogenous materials for lead, hexavalent chromium, mercury, PBB, PBDE, DBP, BBP, DEHP, DIBP, and 0.01% for cadmium, or qualify for an exemption to these limits as defined in the Annexes of Directive 2011/65/EU (RoHS2). Finished electrical and electronic equipment products will be CE marked as required by Directive 2011/65/EU. Components may not be CE marked. Additionally, the part

numbers that TE has identified as EU ELV compliant have a maximum concentration of 0.1% by weight in homogenous materials for lead, hexavalent chromium, and mercury, and 0.01% for cadmium, or qualify for an exemption to these limits as defined in the Annexes of Directive 2000/53/EC (ELV). Regarding the REACH Regulation, the information TE provides on SVHC in articles for this part number is based on the latest European Chemicals Agency (ECHA) 'Guidance on requirements for substances in articles' posted at this URL: <https://echa.europa.eu/guidance-documents/guidance-on-reach>

Compatible Parts



TE Part # 1-480281-0
FF 250 REC HSG 6P NYLON BLACK



TE Part # 171898-1
FF 250 PLUG HSG 6P NYLON NAT



TE Part # 172133-2
FF 250 REC HSG 4P NYLON BLACK



TE Part # 171897-1
FF 250 REC HSG 6P NYLON NAT



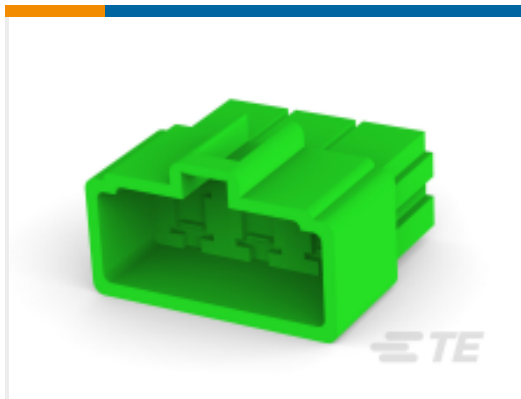
TE Part # 171898-2
FF 250 PLUG HSG 6P NYLON BLACK



TE Part # 171897-2
FF 250 REC HSG 6P NYLON BLACK



TE Part # 172134-2
FF 250 PLUG HSG 4P NYLON BLACK



TE Part # 171897-4
FF 250 REC HSG 6P NYLON GREEN



TE Part # 172138-2
FF 250 PLUG HSG 10P NYLON BLACK



TE Part # 280543-5
FF 250 REC HSG 2P NYLON BLACK



TE Part # 626064-5
ISOLADOR

Also in the Series | FASTIN-FASTON 250



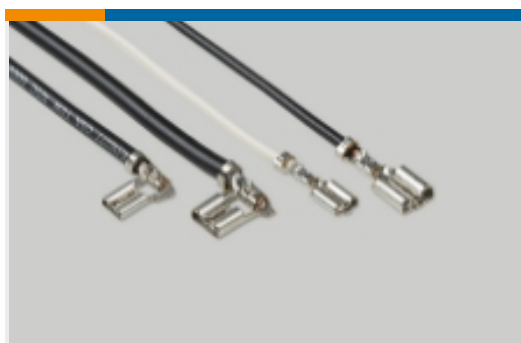
Crimp Terminal Housings(218)



Insertion & Extraction Tools(2)

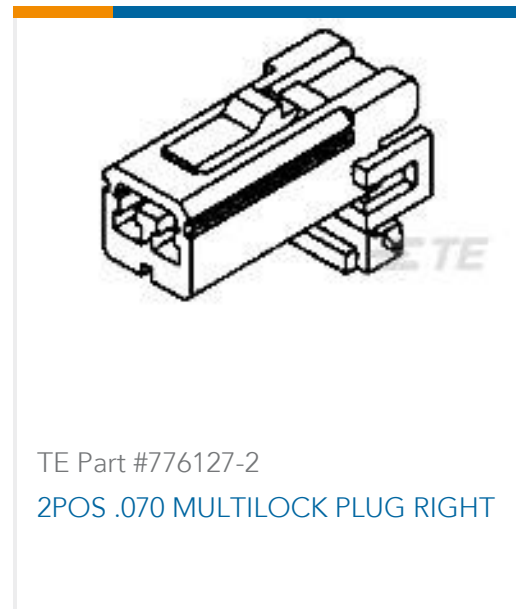


PCB Terminals(2)



Quick Disconnects(258)

Customers Also Bought



Documents

Product Drawings

FASTIN FASTON HOUSING RECEPTACLE

English

CAD Files

3D PDF

3D

Customer View Model

[ENG_CVM_CVM_346027-1_E.2d_dxf.zip](#)

English

Customer View Model

[ENG_CVM_CVM_346027-1_E.3d_igs.zip](#)

English

Customer View Model

[ENG_CVM_CVM_346027-1_E.3d_stp.zip](#)

English

By downloading the CAD file I accept and agree to the [Terms and Conditions](#) of use.

Datasheets & Catalog Pages



White Paper: Nylon Discoloration

English

Product Specifications

Application Specification

English

Product Environmental Compliance

TE Material Declaration

English

Agency Approvals

Agency Approval Document

English