

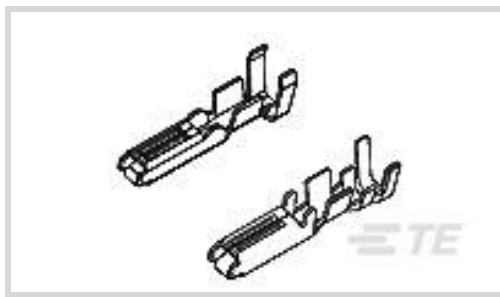
345208-1 ✓ ACTIVE

Multilock .040, Multilock .070

TE Internal #: 345208-1

TE Internal Description: 070 SERIES RECEPT.

[View on TE.com >](#)



Product Compliance

[For compliance documentation, visit the product page on TE.com>](#)

EU RoHS Directive 2011/65/EU	Compliant
EU ELV Directive 2000/53/EC	Compliant
China RoHS 2 Directive MIIT Order No 32, 2016	No Restricted Materials Above Threshold
EU REACH Regulation (EC) No. 1907/2006	Current ECHA Candidate List: JAN 2022 (223) Candidate List Declared Against: JAN 2022 (223) Does not contain REACH SVHC
Halogen Content	Low Halogen - Br, Cl, F, I < 900 ppm per homogenous material. Also BFR/CFR/PVC Free
Solder Process Capability	Not applicable for solder process capability

Product Compliance Disclaimer

This information is provided based on reasonable inquiry of our suppliers and represents our current actual knowledge based on the information they provided. This information is subject to change. The part numbers that TE has identified as EU RoHS compliant have a maximum concentration of 0.1% by weight in homogenous materials for lead, hexavalent chromium, mercury, PBB, PBDE, DBP, BBP, DEHP, DIBP, and 0.01% for cadmium, or qualify for an exemption to these limits as defined in the Annexes of Directive 2011/65/EU (RoHS2). Finished electrical and electronic equipment products will be CE marked as required by Directive 2011/65/EU. Components may not be CE marked. Additionally, the part numbers that TE has identified as EU ELV compliant have a maximum concentration of 0.1% by weight in homogenous materials for lead, hexavalent chromium, and mercury, and 0.01% for cadmium, or qualify for an exemption to these limits as defined in the Annexes of Directive 2000/53/EC (ELV). Regarding the REACH Regulation, the information TE provides on SVHC in articles for this part number is based on the latest European Chemicals Agency (ECHA) 'Guidance on requirements for substances in articles' posted at this URL: <https://echa.europa.eu/guidance-documents/guidance-on-reach>

Compatible Parts



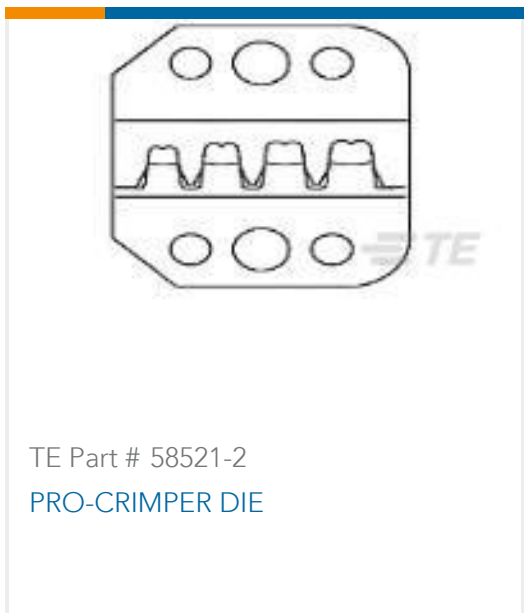
TE Part # CAT-M9194-CH8172
MULTILOCK, CONNECTOR HOUSING



TE Part # 91573-1
CCII 070 SERIES REC TAB 20-16 ASSY



TE Part # 755430-2
EXT, TOOL ASSY



TE Part # 58521-2
PRO-CRIMPER DIE



TE Part # 2-2151175-1
OCEAN_2.0 APPLICATOR-S-090F102F



TE Part # 2-2151175-2
OCEAN_2.0 APPLICATOR-S-090F102F



TE Part # 2151175-1
OCEAN_2.0 APPLICATOR-S-090F102F



TE Part # 2151175-2
OCEAN_2.0 APPLICATOR-S-090F102F



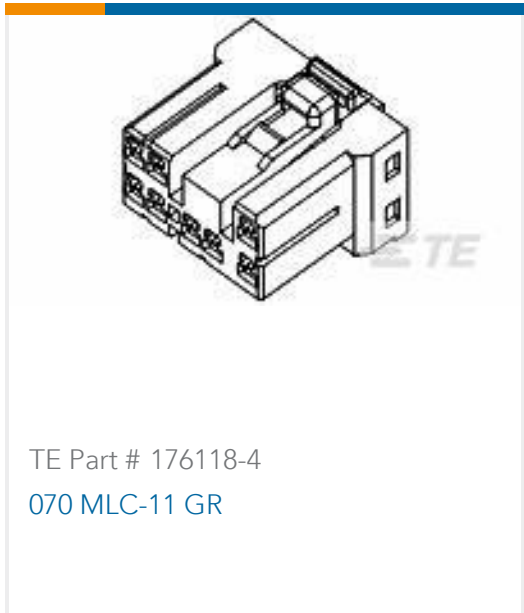
TE Part # 7-2151175-1
OCEAN_2.0 APPLICATOR-S-090F102F



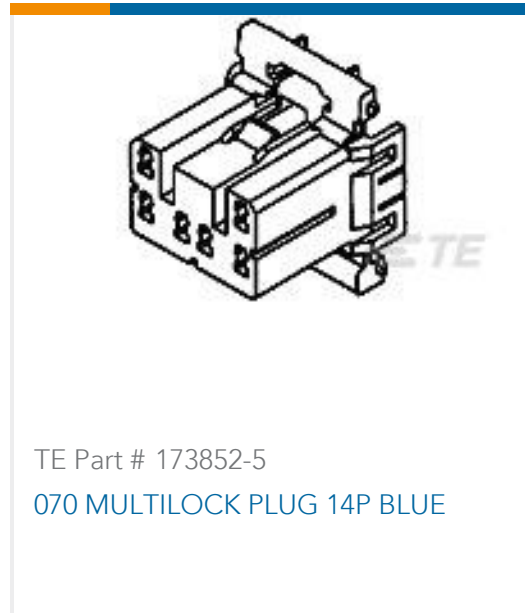
TE Part # 7-2151175-2
OCEAN_2.0 APPLICATOR-S-090F102F



TE Part # 7-2151175-7
OCEAN_2.0 SPARE PART KIT-090F102F



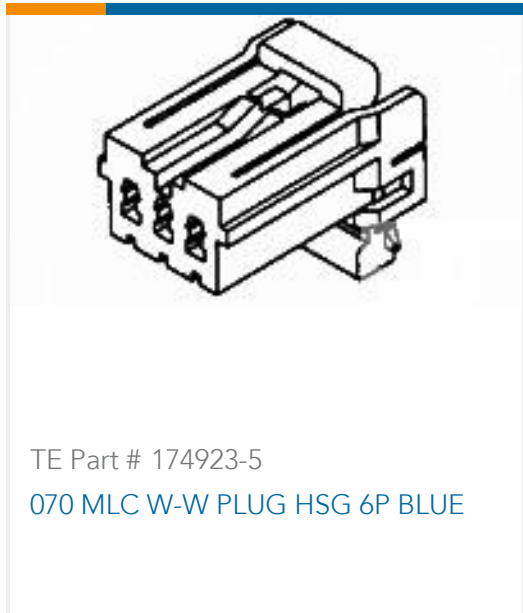
TE Part # 176118-4
070 MLC-11 GR



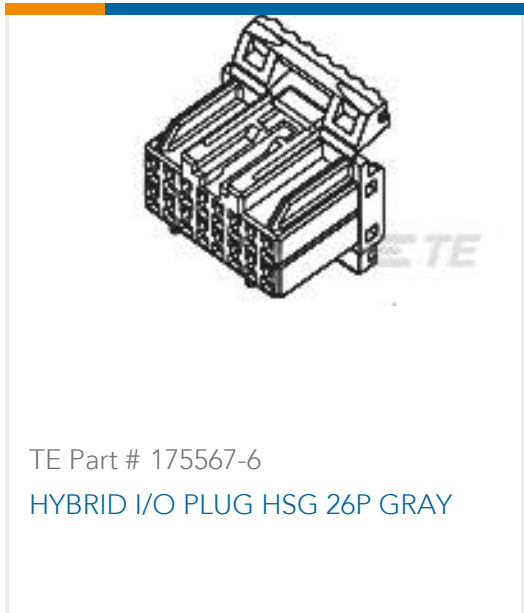
TE Part # 173852-5
070 MULTILOCK PLUG 14P BLUE



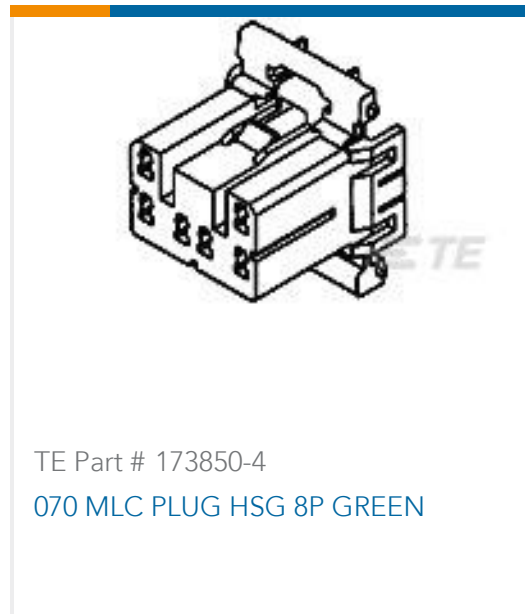
TE Part # 174516-2
HYBRID PLUG HSG 26P BLACK



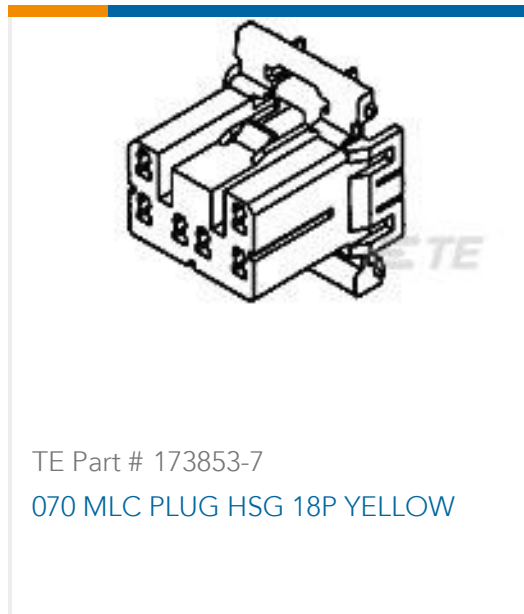
TE Part # 174923-5
070 MLC W-W PLUG HSG 6P BLUE



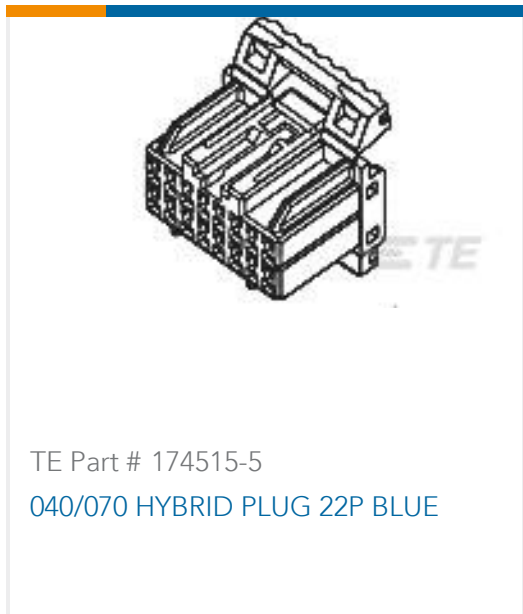
TE Part # 175567-6
HYBRID I/O PLUG HSG 26P GRAY



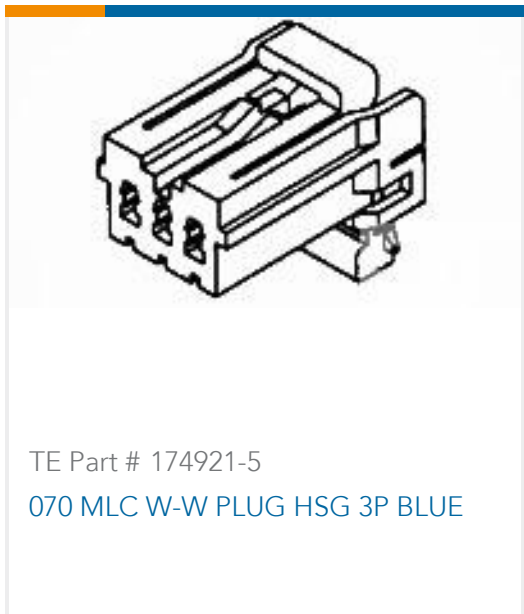
TE Part # 173850-4
070 MLC PLUG HSG 8P GREEN



TE Part # 173853-7
070 MLC PLUG HSG 18P YELLOW



TE Part # 174515-5
040/070 HYBRID PLUG 22P BLUE



TE Part # 174921-5
070 MLC W-W PLUG HSG 3P BLUE

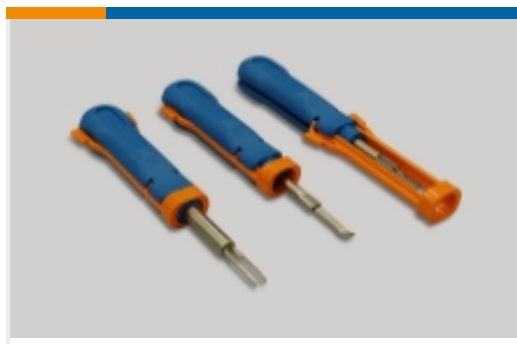
Also in the Series | [Multilock .040](#)



Automotive Connector Caps & Covers (3)



Automotive Terminals(1)



Insertion & Extraction Tools(1)



Other Automotive Connector Accessories(2)

Also in the Series | **Multilock .070**



Automotive Connector Caps & Covers (3)



Other Automotive Connector Accessories(2)

Customers Also Bought



TE Part #928962-4
FF 250 TAB 17-13 AWG .016 TPBR



TE Part #344270-1
4 WAY REC.HSG. SIL. SEAL ECONO



TE Part #1-962841-3
TIMER, RECEPTACLE AND TAB



TE Part #345212-1
MULTILOCK, RECEPTACLE AND TAB



TE Part #348822-2
16 WAY DIAGNOSTIC CONN BLACK



TE Part #1587042-1
34P MALE CAP ASSY-KEY A



TE Part #344274-1
2 WAY TAB HOUSING BLACK ECONO



TE Part #344267-1
6 WAY REC. HSG. SIL. SEALECONO

Documents

Product Drawings
070 SERIES RECEPT.

English

CAD Files
Customer View Model
[ENG_CVM_345208-1_B.3d_igs.zip](#)



English

Customer View Model

[ENG_CVM_345208-1_B.3d_stp.zip](#)

English

Customer View Model

[ENG_CVM_345208-1_B.2d_dxf.zip](#)

English

[3D PDF](#)

English

By downloading the CAD file I accept and agree to the [Terms and Conditions](#) of use.