

345206-1 ✓ ACTIVE

AMP | Econoseal

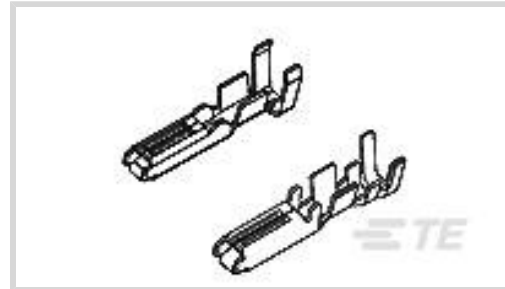
TE Internal #: 345206-1

Econoseal, Automotive Terminals, Receptacle, Mating Tab Width 1.7 mm [.07 in], Tab Thickness .025 in [.64 mm], 22 – 20 AWG Wire Size

[View on TE.com >](#)



Terminals & Splices > Automotive Terminals > MULTILOCK, RECEPTACLE AND TAB



Terminal Type: **Receptacle**

Mating Tab Width: 1.7 mm [.07 in]

Mating Tab Thickness: .64 mm [.025 in]

Terminal Transmits: 0 – 24 A (Low Power)

Wire Size: 22 – 20 AWG

[All MULTILOCK, RECEPTACLE AND TAB \(144\)](#)

Features

Product Type Features

| | |
|-------------------------|------------|
| Receptacle Style | 180° |
| Sealable | No |
| Primary Locking Feature | Clean Body |

Contact Features

| | |
|---|------------------|
| Crimp Type | F-Crimp |
| Terminal Type | Receptacle |
| Mating Tab Width | 1.7 mm [.07 in] |
| Mating Tab Thickness | .64 mm [.025 in] |
| Interface Plating | Tin (Sn) |
| Contact Termination Area Plating Material | Tin (Sn) |

Termination Features

| | |
|------------------------------------|-------|
| Termination Method to Wire & Cable | Crimp |
| Product Terminates To | Wire |

Dimensions

| | |
|--------------------------|-----------------------------|
| Wire Size | .3 – .5 mm ² |
| Wire Size Search | 20 AWG, 21 AWG, 22 AWG |
| Wire Insulation Diameter | 1.2 – 2 mm [.047 – .079 in] |



Usage Conditions

| | |
|------------------------|-------------|
| Insulation Requirement | Uninsulated |
|------------------------|-------------|

Operation/Application

| | |
|------------------------------------|--------|
| Compatible With Wire Base Material | Copper |
|------------------------------------|--------|

Packaging Features

| | |
|--------------------|------|
| Packaging Method | Reel |
| Packaging Quantity | 4000 |

Other

| | |
|----------------------------|----------------------|
| Customer Preferred Contact | No |
| Terminal Transmits | 0 – 24 A (Low Power) |

Product Compliance

[For compliance documentation, visit the product page on TE.com>](#)

| | |
|---|---|
| EU RoHS Directive 2011/65/EU | Compliant |
| EU ELV Directive 2000/53/EC | Compliant |
| China RoHS 2 Directive MIIT Order No 32, 2016 | No Restricted Materials Above Threshold |
| EU REACH Regulation (EC) No. 1907/2006 | Current ECHA Candidate List: JAN 2022 (223) Candidate List Declared Against: JAN 2022 (223) Does not contain REACH SVHC |
| Halogen Content | Low Halogen - Br, Cl, F, I < 900 ppm per homogenous material. Also BFR/CFR/PVC Free |
| Solder Process Capability | Not applicable for solder process capability |

Product Compliance Disclaimer

This information is provided based on reasonable inquiry of our suppliers and represents our current actual knowledge based on the information they provided. This information is subject to change. The part numbers that TE has identified as EU RoHS compliant have a maximum concentration of 0.1% by weight in homogenous materials for lead, hexavalent chromium, mercury, PBB, PBDE, DBP, BBP, DEHP, DIBP, and 0.01% for cadmium, or qualify for an exemption to these limits as defined in the Annexes of Directive 2011/65/EU (RoHS2). Finished electrical and electronic equipment products will be CE marked as required by Directive 2011/65/EU. Components may not be CE marked. Additionally, the part numbers that TE has identified as EU ELV compliant have a maximum concentration of 0.1% by weight in homogenous materials for lead, hexavalent chromium, and mercury, and 0.01% for cadmium, or qualify for an exemption to these limits as defined in the Annexes of Directive 2000/53/EC (ELV). Regarding the REACH Regulation, the information TE provides on SVHC in articles for this part number is based on the latest European Chemicals Agency (ECHA) 'Guidance on requirements for substances in articles' posted at this URL: <https://echa.europa.eu/guidance-documents/guidance-on-reach>


Compatible Parts



TE Part # CAT-M9194-CH8172
MULTILOCK, CONNECTOR HOUSING



TE Part # 2305570-1
TERMINAL CUTTER, SIDE FEED



TE Part # 755430-2
EXT, TOOL ASSY



TE Part # 2-2151266-1
OCEAN_2.0_Applicator-S-070F080BX



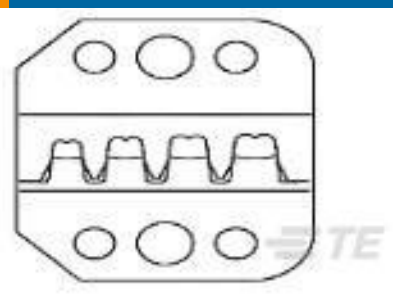
TE Part # 2-2151266-2
OCEAN_2.0_Applicator-S-070F080BX



TE Part # 2151266-1
OCEAN_2.0_Applicator-S-070F080BX



TE Part # 2151266-2
OCEAN_2.0_Applicator-S-070F080BX



TE Part # 58528-2
PROCRIMPER DIE



TE Part # 7-2151266-1
OCEAN_2.0_Applicator-S-070F080BX



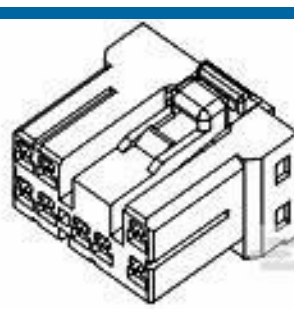
TE Part # 7-2151266-2
OCEAN_2.0_Applicator-S-070F080BX



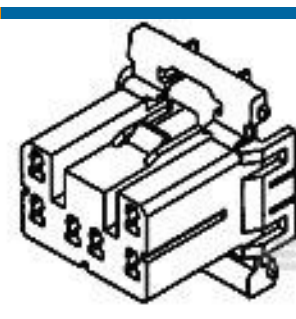
TE Part # 7-2151266-7
OCEAN_2.0_SPARE_PART_KIT-070F080BX



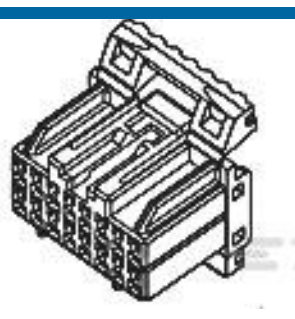
TE Part # 91580-1
CCII 070 SERIES REC TAB 24-22 ASSY



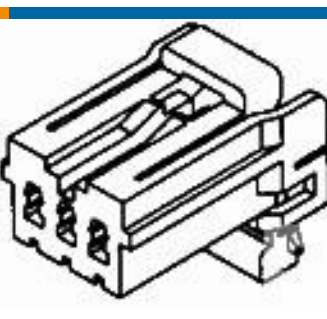
TE Part # 176118-4
070 MLC-11 GR



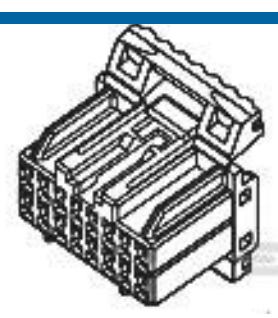
TE Part # 173852-5
070 MULTILOCK PLUG 14P BLUE



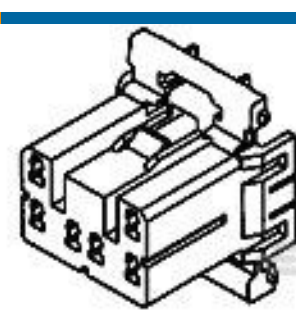
TE Part # 174516-2
HYBRID PLUG HSG 26P BLACK



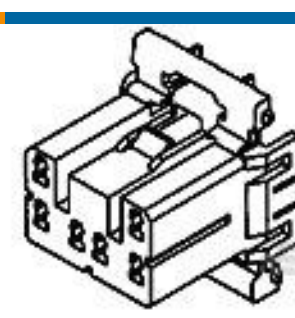
TE Part # 174923-5
070 MLC W-W PLUG HSG 6P BLUE



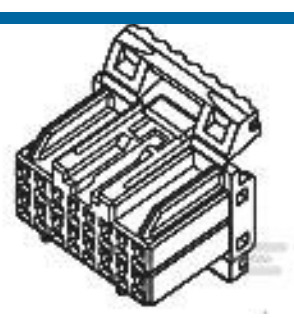
TE Part # 175567-6
HYBRID I/O PLUG HSG 26P GRAY



TE Part # 173850-4
070 MLC PLUG HSG 8P GREEN



TE Part # 173853-7
070 MLC PLUG HSG 18P YELLOW

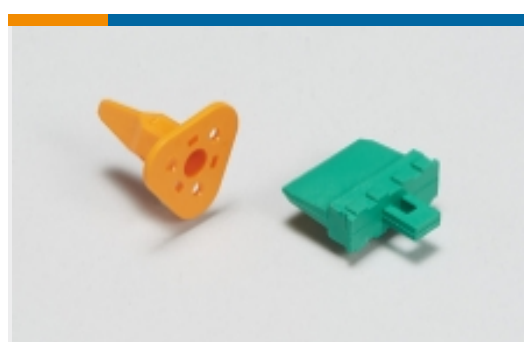


TE Part # 174515-5
040/070 HYBRID PLUG 22P BLUE

Also in the Series | Econoseal



Automotive Connector Caps & Covers (1)



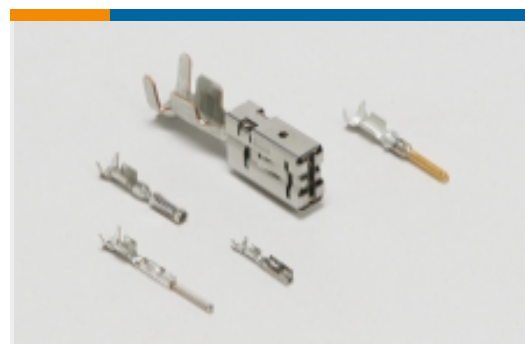
Automotive Connector Locks & Position Assurance(25)



Automotive Housings(60)



Automotive Seals & Cavity Plugs(17)



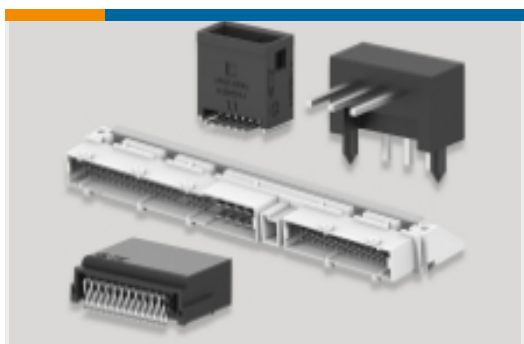
Automotive Terminals(47)



Insertion & Extraction Tools(7)



Other Automotive Connector Accessories(5)

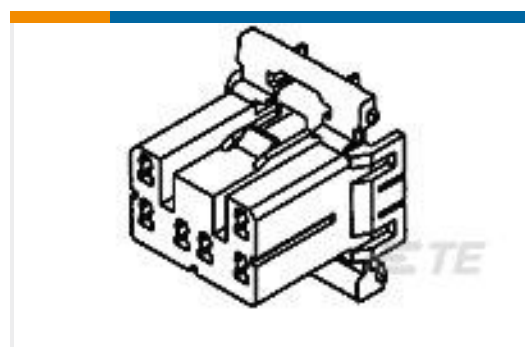


PCB Headers & Receptacles(4)



Power Cable(1)

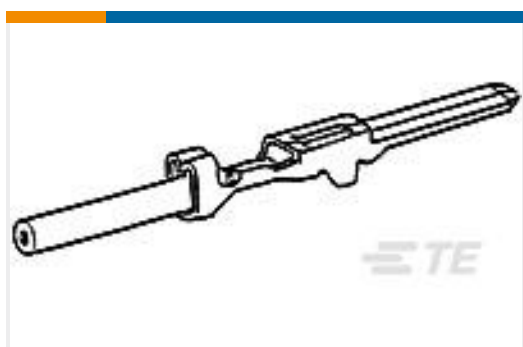
Customers Also Bought



TE Part #173850-1
070 MULTILOCK PLUG 8P



TE Part #6-1625890-6
2W SM M/OX 5% 68R



TE Part #345212-1
070 SERIES TAB



TE Part #9-1534904-4
CONNECTOR HSG 94 POS.



TE Part #YD369-B99-NP000000
369 9 WAY PANEL MNT REC, NO CONTACTS,PIN



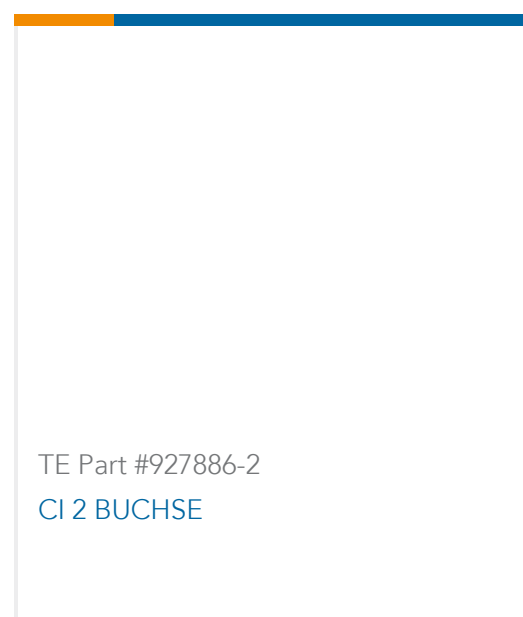
TE Part #YD369-B66-NP000000
369 6 WAY PANEL MNT REC, NO CONTACTS,PIN



TE Part #1355204-1
JUN-POW-TIM HSG 17P



TE Part #345254-1
ANTI-BACKOUT 2WAY REC HSGECONO



Documents

Product Drawings

070 SERIES RECEPT.

English

CAD Files

3D PDF

3D

Customer View Model

[ENG_CVM_CVM_345206-1_K.2d_dxf.zip](#)

English

Customer View Model

[ENG_CVM_CVM_345206-1_K.3d_igs.zip](#)

English

Customer View Model

[ENG_CVM_CVM_345206-1_K.3d_stp.zip](#)

English

By downloading the CAD file I accept and agree to the [Terms and Conditions](#) of use.

Datasheets & Catalog Pages

MULTILOCK Connector System

English