

342143-1 ✓ ACTIVE

PLASTI-GRIP

TE Internal #: 342143-1

Ring Terminals & Spade Terminals, Ring Tongue, 16 – 14 AWG

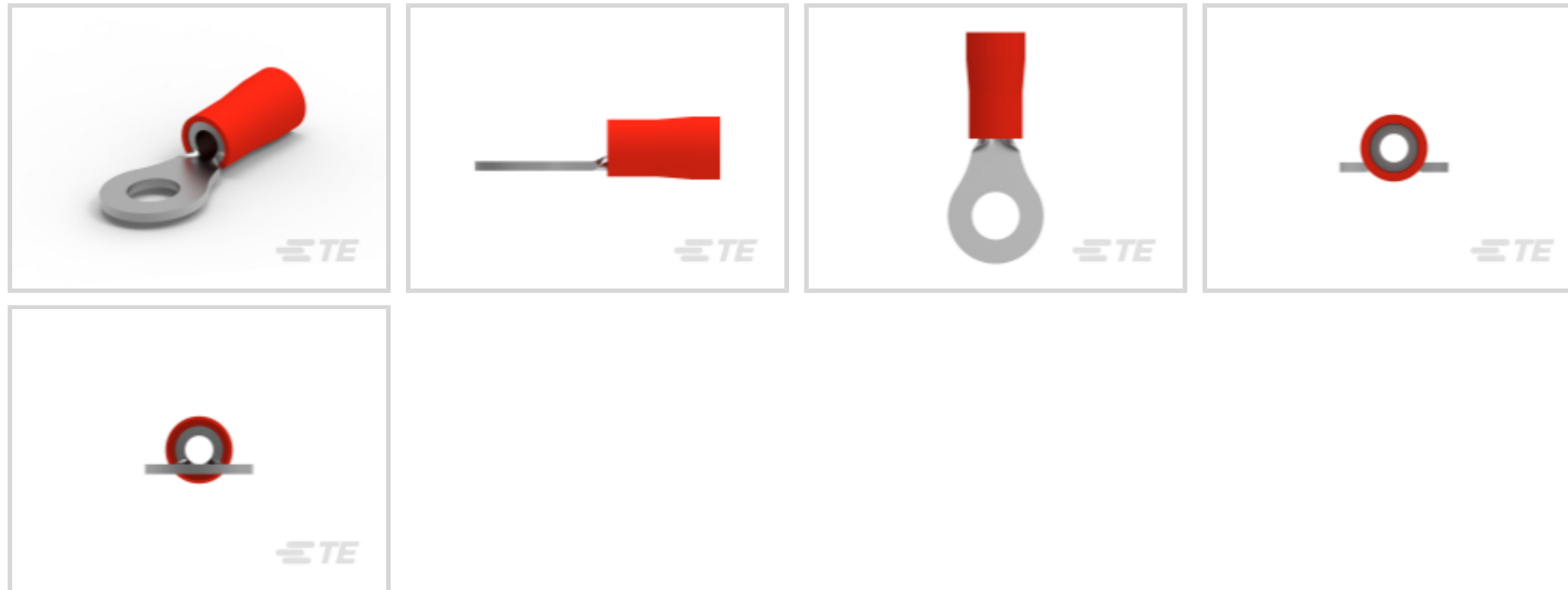
Wire Size, 1 – 2.5 mm<sup>2</sup> Wire Size, Stud Size #8 / M4, Stud Diameter

4.3 mm [.171 in]

[View on TE.com >](#)



Terminals & Splices > Ring Terminals & Spade Terminals



Ring & Spade Terminal Type: **Ring Tongue**

Wire Size: **1 – 2.5 mm<sup>2</sup>**

Stud Size: **#8, M4**

Stud Diameter: **4.3 mm [.171 in]**

### Features

#### Product Type Features

Terminal Features	Sheared
Shape Description	RING-043
Stud Size	#8, M4
Sealable	No
Wire Insulation Support Retention Type	Insulation Support

#### Configuration Features

Number of Holes	1
Terminal Angle	180 °

#### Electrical Characteristics

Voltage (Max)	600 V
---------------	-------

#### Body Features

Inspection Slot	No
Insulation Sleeve Color	Blue
Weight per Piece	.891 g



Stripe Color	Blue
--------------	------

### Contact Features

Ring & Spade Terminal Type	Ring Tongue
Barrel Type	Closed
Terminal Orientation	Offset
Terminal Plating Material	Tin

### Mechanical Attachment

Wire Insulation Support	Without
-------------------------	---------

### Dimensions

Wire Size	1 – 2.5 mm <sup>2</sup>
Stud Diameter	4.3 mm [.171 in]
Tongue Thickness	.79 mm [.031 in]
Overall Product Length	22.1 mm [.87 in]
Accepts Wire Insulation Diameter (Max)	4.9 mm [.193 in]
Accepts Wire Insulation Diameter Range	3 – 4.9 mm [.118 – .193 in]

### Usage Conditions

Insulation Requirement	Partially Insulated
Operating Temperature Range	105 °C [221 °F]

### Operation/Application

Compatible With Wire Base Material	Copper
Compatible With Wire Plating Material	Tin
Heavy Duty	No

### Industry Standards

Government Qualified	No
----------------------	----

### Packaging Features

Packaging Quantity	100
Packaging Method	Loose Piece

### Product Compliance

[For compliance documentation, visit the product page on TE.com>](#)

EU RoHS Directive 2011/65/EU	Compliant
EU ELV Directive 2000/53/EC	Compliant

China RoHS 2 Directive MIIT Order No 32, 2016

No Restricted Materials Above Threshold

EU REACH Regulation (EC) No. 1907/2006

Current ECHA Candidate List: JAN 2022  
(223)Candidate List Declared Against: JUL 2021  
(219)

SVHC &gt; Threshold:

Not Yet Reviewed

Halogen Content

Not Low Halogen - contains Br or Cl > 900  
ppm.

Solder Process Capability

Not applicable for solder process capability

## Product Compliance Disclaimer

This information is provided based on reasonable inquiry of our suppliers and represents our current actual knowledge based on the information they provided. This information is subject to change. The part numbers that TE has identified as EU RoHS compliant have a maximum concentration of 0.1% by weight in homogenous materials for lead, hexavalent chromium, mercury, PBB, PBDE, DBP, BBP, DEHP, DIBP, and 0.01% for cadmium, or qualify for an exemption to these limits as defined in the Annexes of Directive 2011/65/EU (RoHS2). Finished electrical and electronic equipment products will be CE marked as required by Directive 2011/65/EU. Components may not be CE marked. Additionally, the part numbers that TE has identified as EU ELV compliant have a maximum concentration of 0.1% by weight in homogenous materials for lead, hexavalent chromium, and mercury, and 0.01% for cadmium, or qualify for an exemption to these limits as defined in the Annexes of Directive 2000/53/EC (ELV). Regarding the REACH Regulation, the information TE provides on SVHC in articles for this part number is based on the latest European Chemicals Agency (ECHA) 'Guidance on requirements for substances in articles' posted at this URL: <https://echa.europa.eu/guidance-documents/guidance-on-reach>

## Compatible Parts



TE Part # 59824-1  
TETRA-CRIMP PIDG PG FASTON 22-10 ASSY



TE Part # 58433-3  
PRO CR ASSY, RBY IS9252



TE Part # 58423-1  
DIE, RBY IS9252



TE Part # 47387  
DAHT PG PIDG 20-14 ASSY



TE Part # 1SET191001R0000  
CRIMP-HT



TE Part # 1SET191002R0000  
TET CRIMP-HT

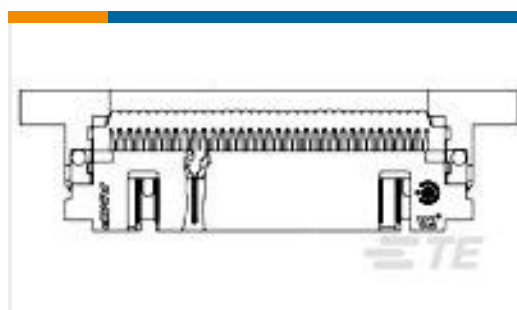


TE Part # 169404  
CERTI-LOK DIE

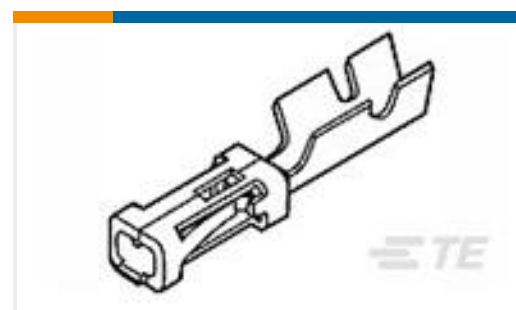
## Customers Also Bought



TE Part #6-51864-1  
TERMINAL,PIDG R IR 16 6



TE Part #5111448-8  
034 UNIV I/O 30DP SLOT



TE Part #87667-3  
MOD IV RECP LP



TE Part #85487-5  
MOD I RECP PLTD 15 SEL



TE Part #5-749611-9  
100 50SR PANEL MOUNT RCPT, ROHS



TE Part #111451-1  
LATCH,UNIV I/O



TE Part #62153-1  
WELD TAB 20-16 AWG TPSTL



TE Part #ZPF000000000008584  
983-6S 12-12 PN



TE Part #2319747-3  
TRI-STATE DIP 8P G RAISED TUBE



TE Part #131482  
TERMINAL RT, DIAMOND GRIP,  
CHROMEL, 22 16

## Documents

### Product Drawings

#### 16-14 F.E.P.G. R/TONGUE

English

### CAD Files

#### 3D PDF

3D

#### Customer View Model

[ENG\\_CVM\\_CVM\\_342143-1\\_N.2d\\_dxf.zip](#)

English

#### Customer View Model

[ENG\\_CVM\\_CVM\\_342143-1\\_N.3d\\_igs.zip](#)

English

#### Customer View Model

[ENG\\_CVM\\_CVM\\_342143-1\\_N.3d\\_stp.zip](#)

English

By downloading the CAD file I accept and agree to the [Terms and Conditions](#) of use.

## Product Specifications



### Application Specification

English

---

### Product Environmental Compliance

[MD\\_342143-1\\_05092018951\\_dmtec](#)

English

[MD\\_342143-1\\_05092018951\\_dmtec](#)

English