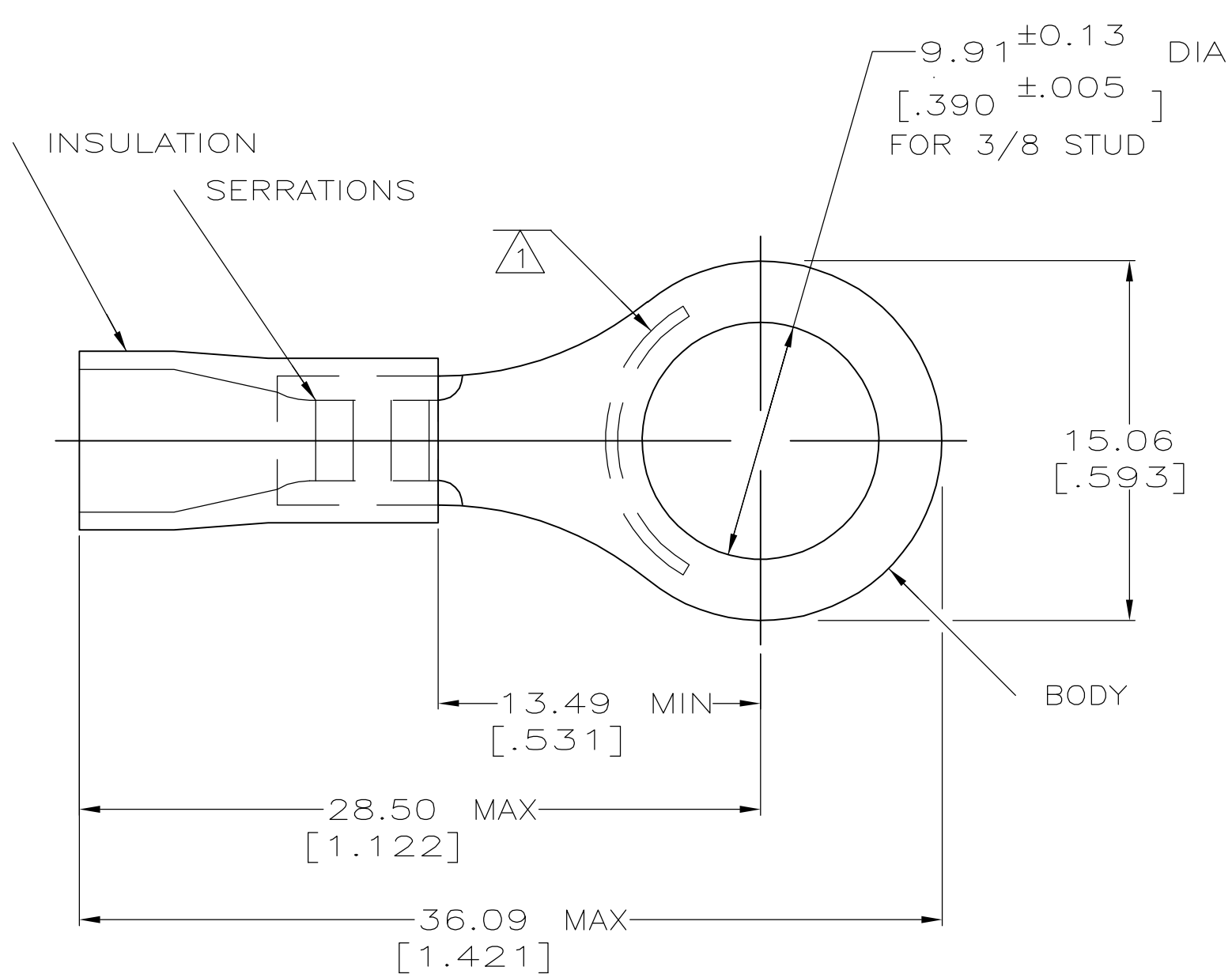


THIS DRAWING IS UNPUBLISHED. RELEASED FOR PUBLICATION
 © COPYRIGHT BY TYCO ELECTRONICS CORPORATION. ALL RIGHTS RESERVED.

LOC	DIST	REVISIONS					
		P	LTR	DESCRIPTION	DATE	DWN	APVD
G	14		V1	REV PER ECR 06-001832	22APR06	JR	TM



- 1 STAMP AMP 12-10*, 6-9 APPROX AS SHOWN
- 2 WIRE INSULATION DIA: .150-.250
- 3 TONGUE MATERIAL THK IS 1.02±0.05 [.040±.002]
- 4 MATERIAL: BODY; COPPER PER ASTM B152 INSULATION; PVC COLOR; YELLOW
- 5 FINISH: BODY; TIN PL. PER ASTM B545

AMP WIRE RANGE	Listed	LR7189 Certified
12-10 AWG SOLID OR STRANDED	12-10 AWG SOLID OR STRANDED	12-10 AWG SOLID OR STRANDED

50	LOOSE PC,BOX	8-34173-2
1000	ON TAPE, REEL	2-34173-1
500	LOOSE PIECE	34173
QTY	PACKAGE TYPE	PART NO

AMP INCORPORATED CUSTOMER SERVICE SYSTEMS	
FOR ADDITIONAL PRODUCT INFORMATION OR COPIES OF DRAWINGS AND TECHNICAL DOCUMENTS	PRODUCT INFORMATION CENTER 1-800-522-6752
FOR APPLICATION TOOLING INFORMATION	TOOLING ASSISTANCE CENTER 1-800-722-1111
FOR ORDER ENTRY	1-800-526-5142

MAX RECOMMENDED OPERATING TEMPERATURE: 105°C [221°F]
VOLTAGE RATING: N/A
CIRCULAR MIL AREA: 2.62-6.64mm² [5180-13100] SOLID OR STRANDED

THIS DRAWING IS A CONTROLLED DOCUMENT.	
DIMENSIONS: mm [INCHES]	TOLERANCES UNLESS OTHERWISE SPECIFIED:
	0 PLC ± - 1 PLC ± - 2 PLC ± 0.20[.008] 3 PLC ± - 4 PLC ± - ANGLES ± - FINISH
MATERIAL	

DWN DK SCHRUM	08/06/92
CHK RE HERSEY	11/10/92
APVD M ELLIS	11/10/92
PRODUCT SPEC	108-1034
APPLICATION SPEC	NOT AVAILABLE
WEIGHT	-

tyco Electronics		Tyco Electronics Corporation Harrisburg, Pa 17105-3608	
NAME TERMINAL, RING TONGUE, PLASTI-GRIP			
SIZE	CAGE CODE	DRAWING NO	RESTRICTED TO
A3	00779	C-34173	-
CUSTOMER DRAWING		SCALE 4:1	SHEET 1 OF 1
		REV V1	